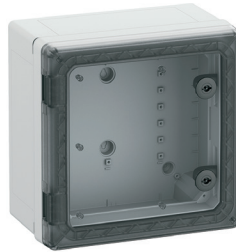


Now also in BLACK



**Cat No. 710-433**  
GEOS-S 3030-18-o  
with grey cover



**Cat No. 711-433**  
GEOS-S 3030-18-to  
with transparent cover



**Cat No. 750-433**  
GEOS-S 3030-18-o/sw  
black with black cover



**Cat No. 751-433**  
GEOS-S 3030-18-to/sw  
black with transparent cover

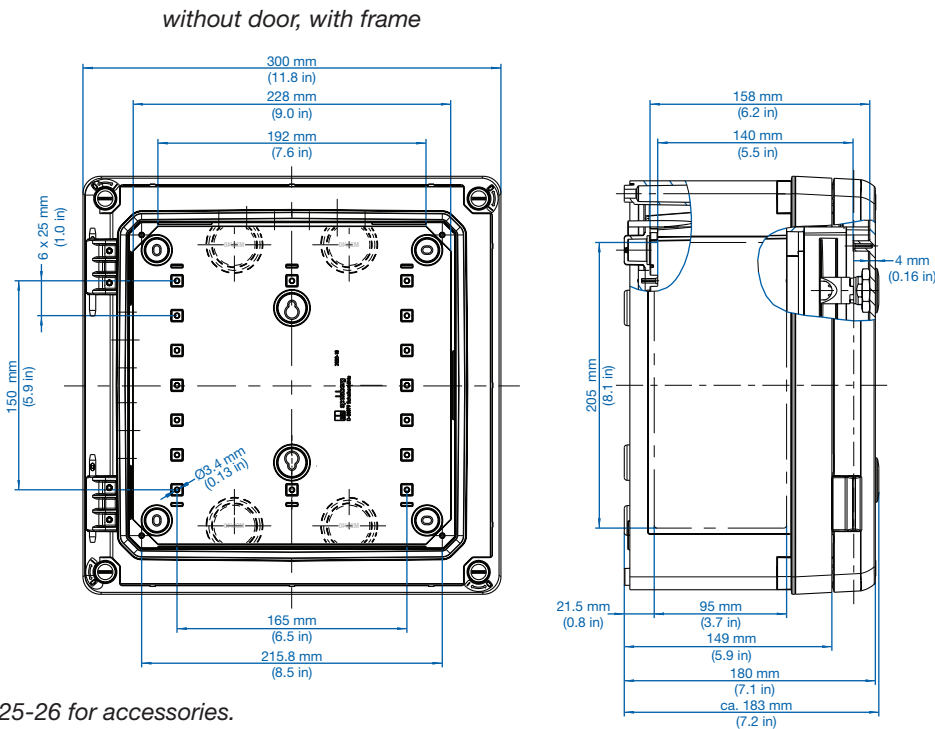
### Description

Cabinet - Industrial Quality, suitable for installation in harsh environments and in exposed outside areas, box and frame: glass-fiber reinforced Polycarbonate, gray (RAL 7035) or black (RAL 9005), door: Polycarbonate. Door latch: cam lock with 3mm double-bit insert (interchangeable) in accordance to DIN 43668

**Size: 300 x 300 x 180 mm**  
11.8 x 11.8 x 7.1 in



### Dimensions



See pages 19-22 and 25-26 for accessories.