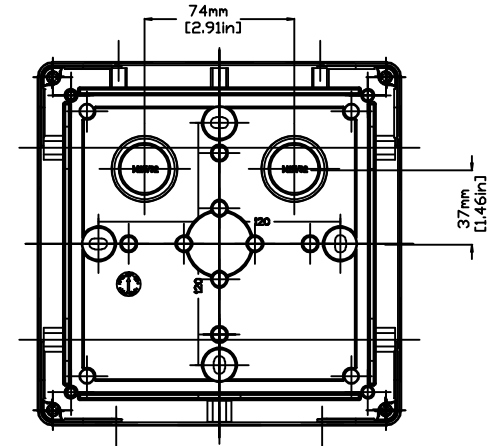
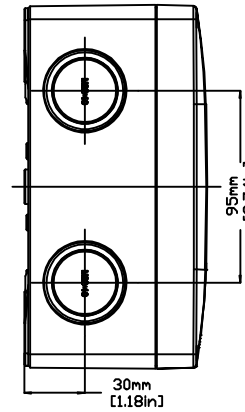
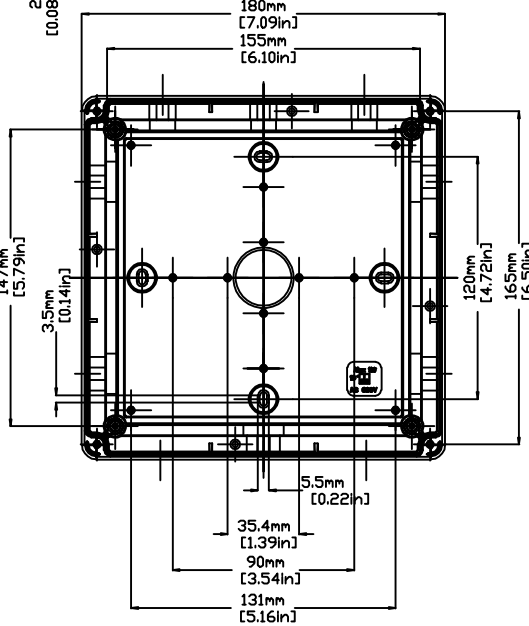
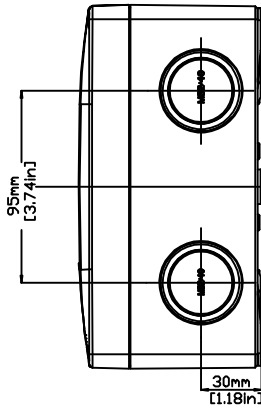
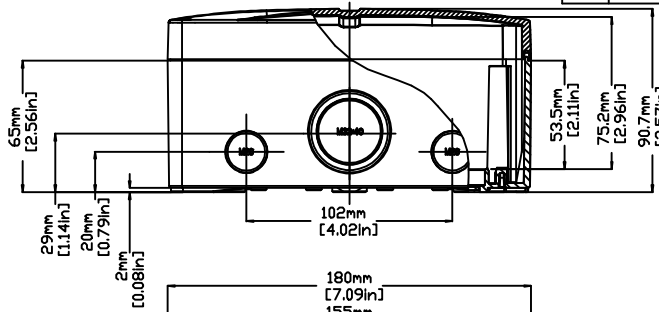
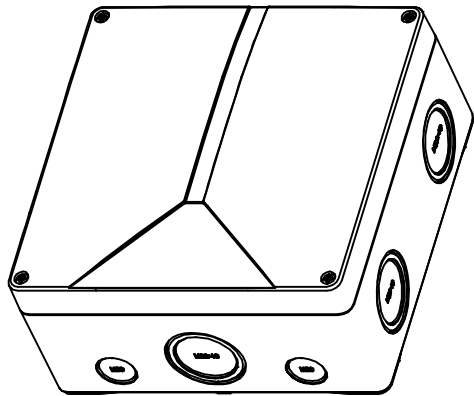


REVISIONS FOR DWG # 3EN-3IS-ABOX-ABOX\_160

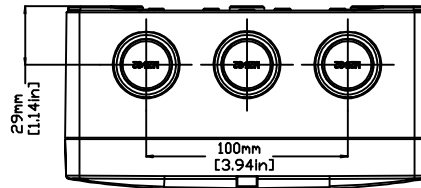
REV	CH.NO.	DESCRIPTION	DATE	REVISED BY
-	-	ORIGINAL DESIGN	08/01/11	ROLAND G

SECTION A-A



BOTTOM VIEW

TOP VIEW WITHOUT LID



UNLESS OTHERWISE SPECIFIED  
 • ALL DIMENSIONS ARE IN MILLIMETERS  
 • THIRD ANGLE PROJECTION

• TOLERANCE

XX	±	XX mm
XX.X	±	XX mm
XX.XX	±	XX mm
ALL	±	XX mm

FIRST

This Drawing is the property of

**Altech Corp.**

35 Royal Road  
 Flemington NJ 08822-6000  
 (908) 806-9400 • Fax (908) 806-9490

AND IS A CONFIDENTIAL DISCLOSURE  
 LENT WITHOUT CONSIDERATION OTHER  
 THAN THE BORROWER'S AGREEMENT  
 THAT IT SHALL NOT BE REPRODUCED,  
 COPIED, LENT, OR DISPOSED OF  
 DIRECTLY OR INDIRECTLY NOR USED  
 FOR ANY PURPOSE OTHER THAN THAT  
 FOR WHICH IT IS SPECIFICALLY  
 FURNISHED.

TITLE: POLYSTYRENE/ POLYCARBONATE ENCLOSURE  
 ABOX 160

DRAWN BY: ROLAND GYORGYPAL	08/01/2011
CHECKED BY: JEFF ROYE	08/01/2011
RELEASED BY: LASZLO G.	08/01/2011

DRAWING NO.:  
 3EN-3IS-ABOX-ABOX\_160

REV.:  
 -

SCALE: - SHEET: 1 OF: 1