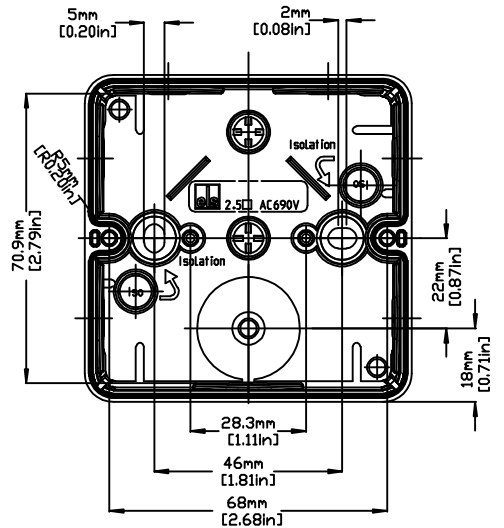
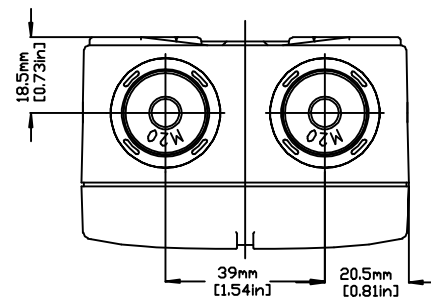
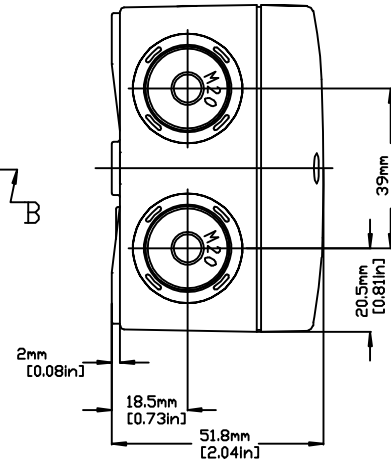
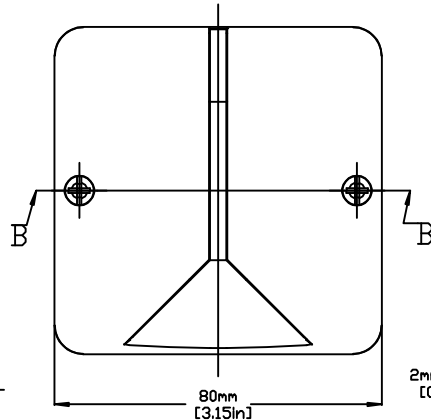
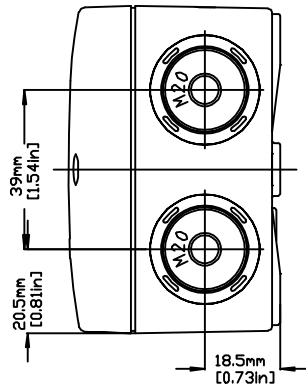
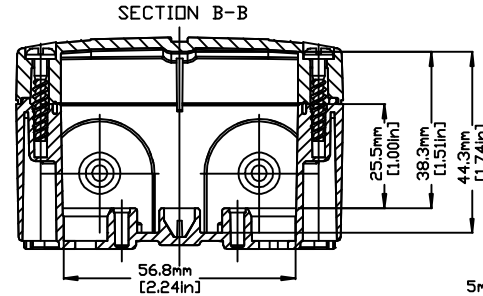
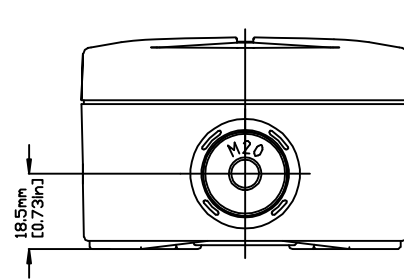
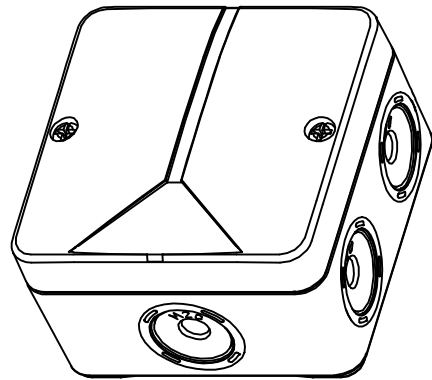


REVISIONS FOR DWG # 3EN-3IS-ABOX-ABOX_025

REV	CH.NO.	DESCRIPTION	DATE	REVISED BY
-	-	ORIGINAL DESIGN	08/01/11	ROLAND G



TOP VIEW WITHOUT LID

UNLESS OTHERWISE SPECIFIED
 • ALL DIMENSIONS ARE IN MILLIMETERS
 • THIRD ANGLE PROJECTION

• TOLERANCE

XX	≅	XX mm
XX.X	≅	XX mm
XX.XX	≅	XX mm
ALL	≅	XX mm

METER

This Drawing is the property of

Altech Corp.

35 Royal Road
 Flemington NJ 08822-6000
 (908) 806-9400 • Fax (908) 806-9490

AND IS A CONFIDENTIAL DISCLOSURE
 LENT WITHOUT CONSIDERATION OTHER
 THAN THE BORROWER'S AGREEMENT
 THAT IT SHALL NOT BE REPRODUCED,
 COPIED, LENT, OR DISPOSED OF
 DIRECTLY OR INDIRECTLY NOR USED
 FOR ANY PURPOSE OTHER THAN THAT
 FOR WHICH IT IS SPECIFICALLY
 FURNISHED.

TITLE: POLYSTYRENE/ POLYCARBONATE ENCLOSURE
 ABOX 025

DRAWN BY: ROLAND GYRGYPAL	08/01/2011
CHECKED BY: JEFF ROYE	08/01/2011
RELEASED BY: LASZLO G.	08/01/2011

DRAWING NO.:
 3EN-3IS-ABOX-ABOX_025

REV.:
 -

SCALE: - SHEET: 1 OF: 1