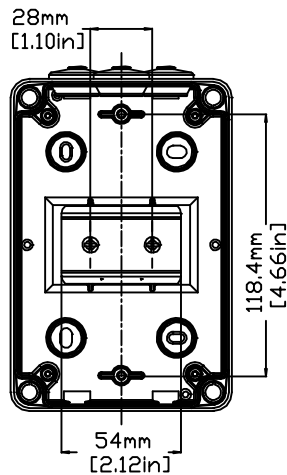
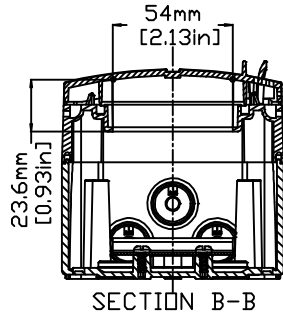
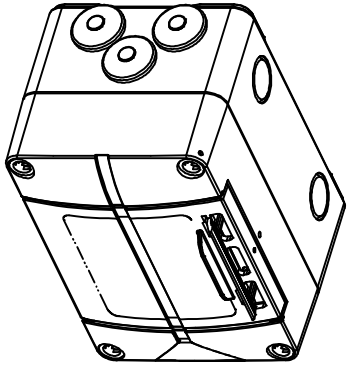
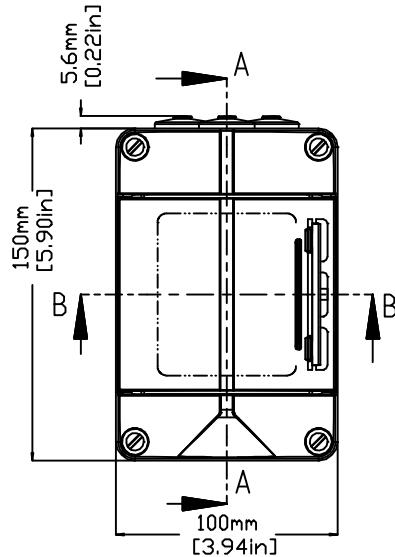


REVISIONS FOR DWG # 3EN-3IS-AK-AK 03

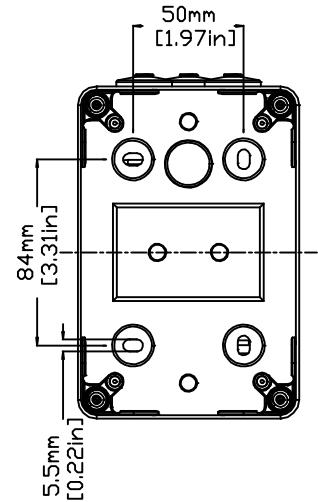
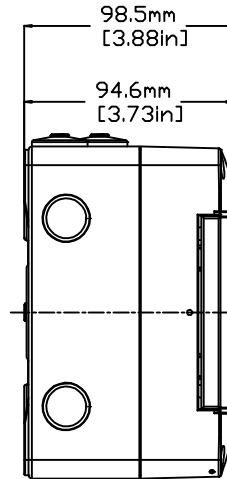
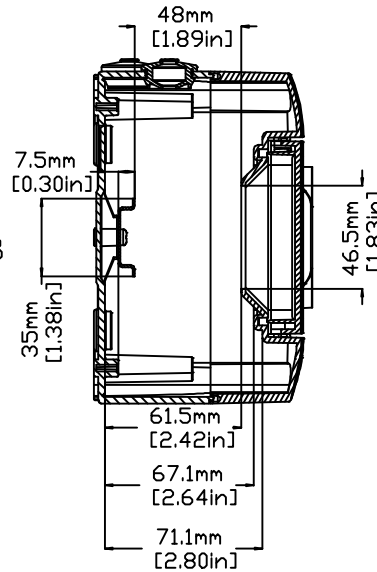
REV	CH.NO.	DESCRIPTION	DATE	REVISED BY
-	-	ORIGINAL DESIGN	08/01/11	ROLAND G



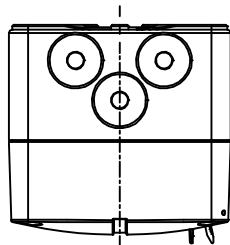
INTERIOR VIEW  
WITHOUT LID



SECTION A-A



BOTTOM VIEW



UNLESS OTHERWISE SPECIFIED

- ALL DIMENSIONS ARE IN MILLIMETERS
- THIRD ANGLE PROJECTION

• TOLERANCE

XX	±	XX mm
XX.X	±	XX mm
XX.XX	±	XX mm
ALL	±	XX mm

This Drawing is the property of

**Altech Corp.**

35 Royal Road  
Flemington NJ 08822-6000  
(908) 806-9400 • Fax (908) 806-9490

AND IS A CONFIDENTIAL DISCLOSURE  
LENT WITHOUT CONSIDERATION OTHER  
THAN THE BORROWER'S AGREEMENT  
THAT IT SHALL NOT BE REPRODUCED,  
COPIED, LENT, OR DISPOSED OF  
DIRECTLY OR INDIRECTLY NOR USED  
FOR ANY PURPOSE OTHER THAN THAT  
FOR WHICH IT IS SPECIFICALLY  
FURNISHED.

TITLE: POLYSTYRENE/ POLYCARBONATE ENCLOSURE  
AK 03

DRAWN BY:  
ROLAND GYORGYPAL 08/01/2011  
CHECKED BY:  
JEFF ROYE 08/01/2011  
RELEASED BY:  
LASZLO G. 08/01/2011

DRAWING NO.:  
3EN-3IS-AK-AK 03

REV.:  
-

SCALE: -

SHEET: 1 OF: 1

C-ITEM