

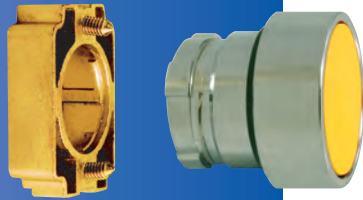
22mm Non-Illuminated Metal Operators



Certified for
NEMA Type 4X
12 environment.

Flush

*Momentary
with mounting bracket*



Color	Cat No.
□ White	2AF1
■ Black	2AF2
■ Green	2AF3
■ Red	2AF4
■ Blue	2AF6
■ Yellow	2AF8

Booted

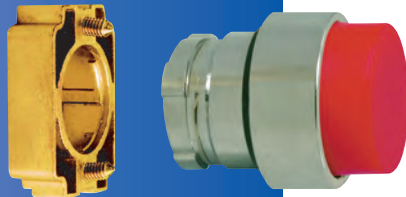
*Momentary
with mounting bracket*



Color	Cat No.
□ White	2AB1
■ Black	2AB2
■ Green	2AB3
■ Red	2AB4
■ Blue	2AB6
■ Yellow	2AB8

Projecting

*Momentary
with mounting bracket*



Color	Cat No.
□ White	2AP1
■ Black	2AP2
■ Green	2AP3
■ Red	2AP4
■ Blue	2AP6
■ Yellow	2AP8

Recessed

*Momentary
with mounting bracket*



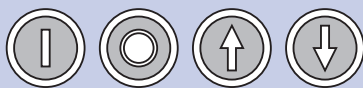
Color	Cat No.
□ White	2AF1RH
■ Black	2AF2RH
■ Green	2AF3RH
■ Red	2AF4RH
■ Blue	2AF6RH
■ Yellow	2AF8RH



All above operators available with remote attachment. Standard length is 50mm (2 in.), other lengths available upon request. Contact Altech for Part Number.

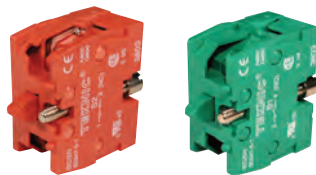


Markings on Request



Altech Push Buttons are available in a variety of markings, including molded arrows. Please contact Altech for further information and part numbers.

Switch Contacts (sold separately)



- Heavy-duty contact blocks with mounting screws. Blocks can be stacked 2 blocks across by 3 blocks deep for a total of 6 circuits.
- Contact blocks are available with silver contacts or gold plated contacts
- Self-wiping contacts

Panel Mount

Normally Open Silver	S1
Normally Closed Silver	S2
Normally Open Gold Plated	S3
Normally Closed Gold Plated	S4

Base Mount*

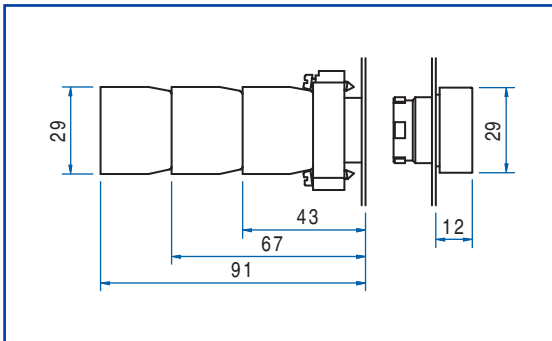
Normally Open Silver	S5
Normally Closed Silver	S6
Normally Open Gold Plated	S7
Normally Closed Gold Plated	S8

* For use with non-illuminated operators in thermoplastic or aluminum enclosures listed on pages 30 and 36-37.

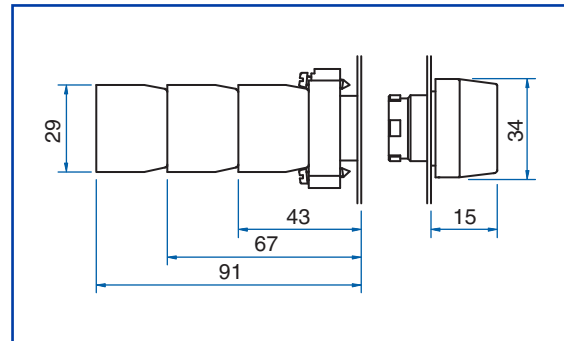
Dimensional Drawings

All dimensions shown in millimeters.
To convert to inches multiply by 0.03937

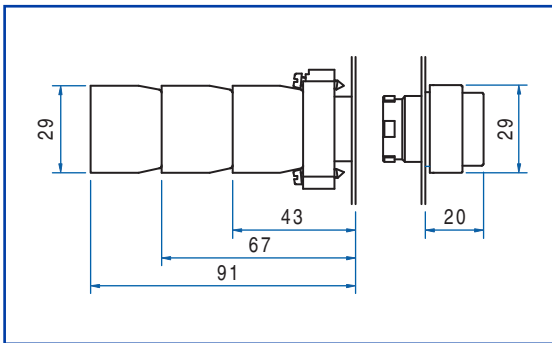
Non-Illuminated Flush



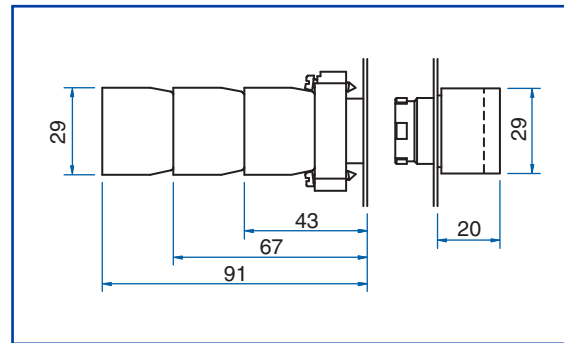
Non-Illuminated Booted



Non-Illuminated Projecting

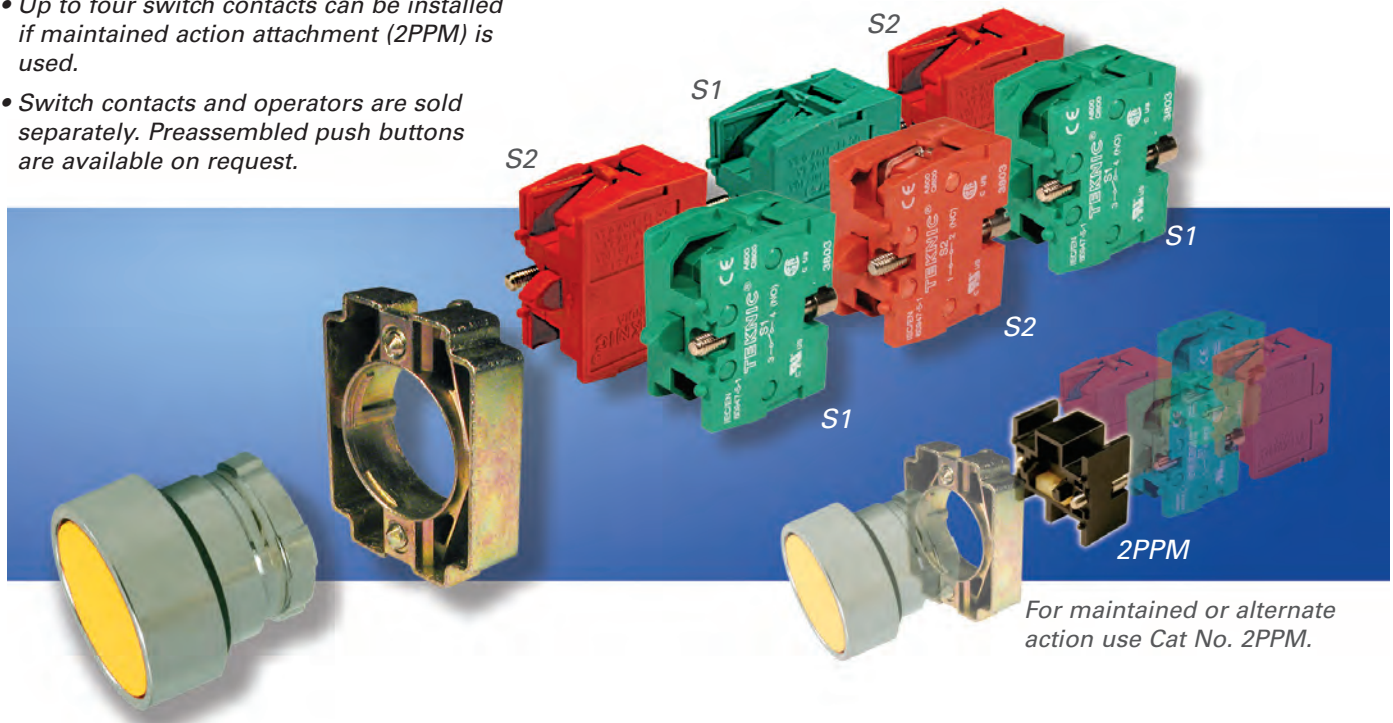


Non-Illuminated Recessed



Exploded Assembly View

- Up to six switch contacts can be installed on any non-illuminated operator.
- Up to four switch contacts can be installed if maintained action attachment (2PPM) is used.
- Switch contacts and operators are sold separately. Preassembled push buttons are available on request.



For maintained or alternate action use Cat No. 2PPM.