

# GFL Series - 2 Pole + N, B Trip, 30 mA 10kA UL489 Listed Branch Circuit Breaker with Equipment Ground Fault Protection (RCBO)



The GFL Series range is a combined Branch Circuit Breaker and Equipment Ground Fault Protector, featuring dual pole switching (live and neutral disconnect) and designed to provide protection against short circuits, overloads, AC ground faults (residual current faults) as well as pulsating DC ground faults.

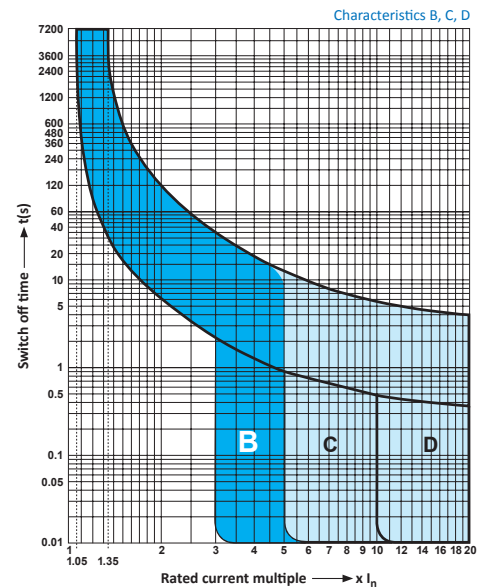


## Ordering Information

Rated Current	Type/ Cat. No.	Rated Voltage
5.0A	GFL2B05030SN	120/240V AC
6.0A	GFL2B06030SN	120/240V AC
8.0A	GFL2B08030SN	120/240V AC
10A	GFL2B10030SN	120/240V AC
12A	GFL2B12030SN	120/240V AC
13A	GFL2B13030SN	120/240V AC
15A	GFL2B15030SN	120/240V AC
16A	GFL2B16030SN	120/240V AC
20A	GFL2B20030SN	120/240V AC
25A	GFL2B25030SN	120/240V AC
30A	GFL2B30030SN	120/240V AC
32A	GFL2B32030SN	120/240V AC
35A	GFL2B35030SN	120/240V AC
40A	GFL2B40030SN	120/240V AC

**UL 489**  
Branch Circuit Breaker  
with Ground Fault Relay

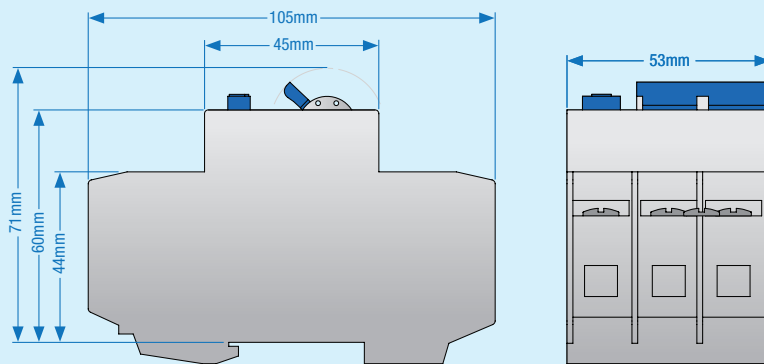
## GFL Series RCBO Overload Trip Curves



## Technical Specification

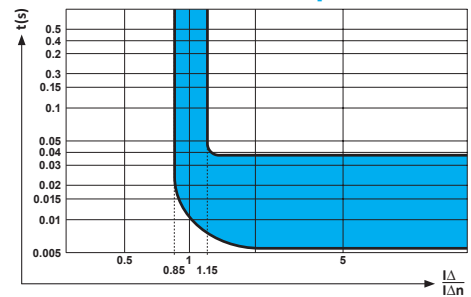
Number of Poles	2+N
Voltage Rating (maximum)	120/240V AC
Ground Fault Sensitivity Level	30 mA
Rated Short Circuit Interrupt Capacity	10 kA
Rated Frequency	50/60Hz
Trip Characteristic	B
Cable Size & Tightening Torque	Stranded Wire: 16 - 3 AWG (1.5 mm <sup>2</sup> - 25 mm <sup>2</sup> ) @ 17.5 lb-in (2.0 Nm) Solid Wire: 16 - 10 AWG (1.5 mm <sup>2</sup> - 5.5 mm <sup>2</sup> ) @ 17.5 lb-in (2.0 Nm) 18 - 16 AWG (1 mm <sup>2</sup> - 1.5 mm <sup>2</sup> ) @ 25 lb-in (2.8 Nm)
Electrical Life	6000 Switching Operations
Mechanical Life	10000 Switching Operations

**Dimensions**  
(to convert to inches multiply by 0.03937)



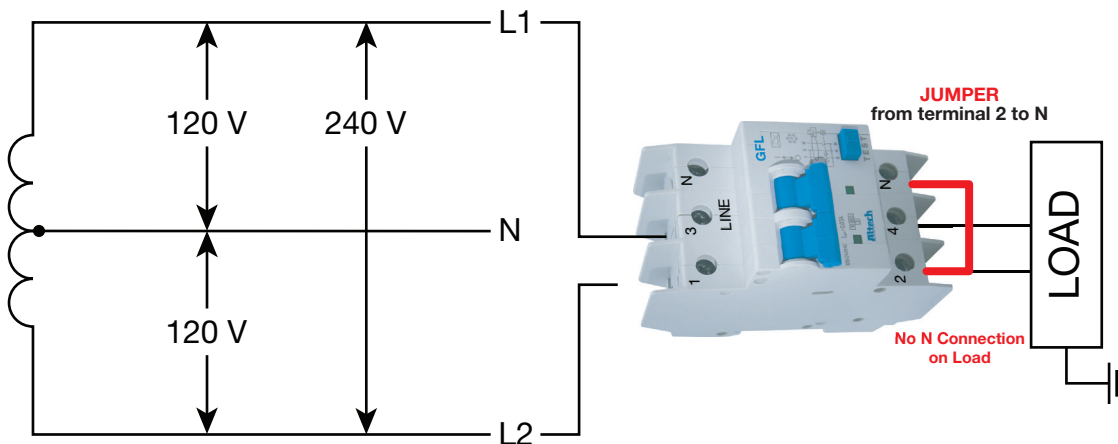
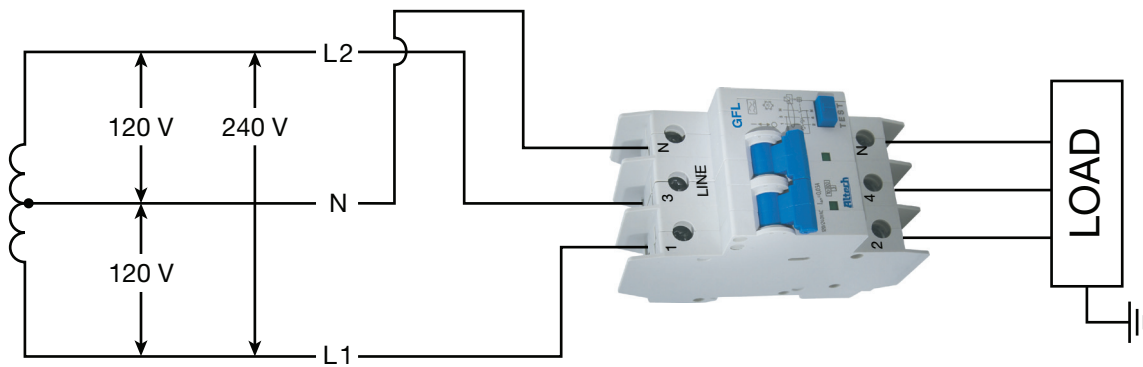
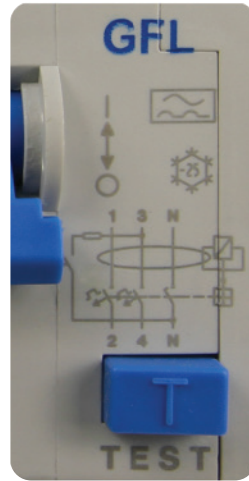
**Weight** 353 g

## GFL Series RCBO Ground Fault Trip Curve



GFL Series - 2 Pole + N, B Trip, 30 mA  
 Applicable voltage systems and wiring examples.

GFL...SN



UL 489  
 Branch Circuit Breaker  
 with Ground Fault Relay