

GFL Series - 1 Pole+N, C Trip, 30 mA 10kA UL489 Listed Branch Circuit Breaker with Equipment Ground Fault Protection (RCBO)



The GFL Series range is a combined Branch Circuit Breaker and Equipment Ground Fault Protector, featuring dual pole switching (live and neutral disconnect) and designed to provide protection against short circuits, overloads, AC ground faults (residual current faults) as well as pulsating DC ground faults.

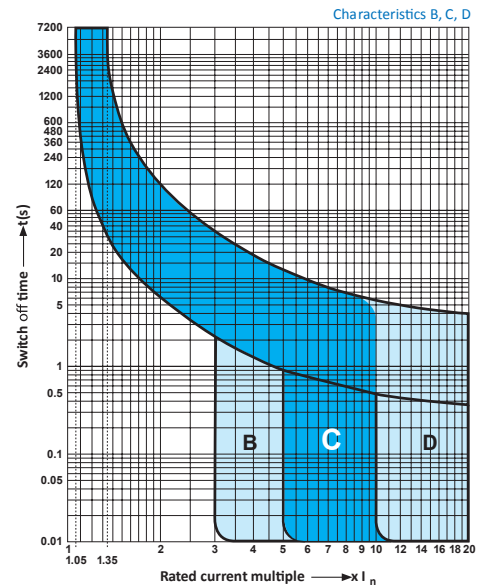


UL 489
Branch Circuit Breaker
with Ground Fault Relay

Ordering Information

Rated Current	Type/ Cat. No.	Rated Voltage
5.0A	GFL2C050302	240V AC
6.0A	GFL2C060302	240V AC
8.0A	GFL2C080302	240V AC
10A	GFL2C100302	240V AC
12A	GFL2C120302	240V AC
13A	GFL2C130302	240V AC
15A	GFL2C150302	240V AC
16A	GFL2C160302	240V AC
20A	GFL2C200302	240V AC
25A	GFL2C250302	240V AC

GFL Series RCBO Overload Trip Curves

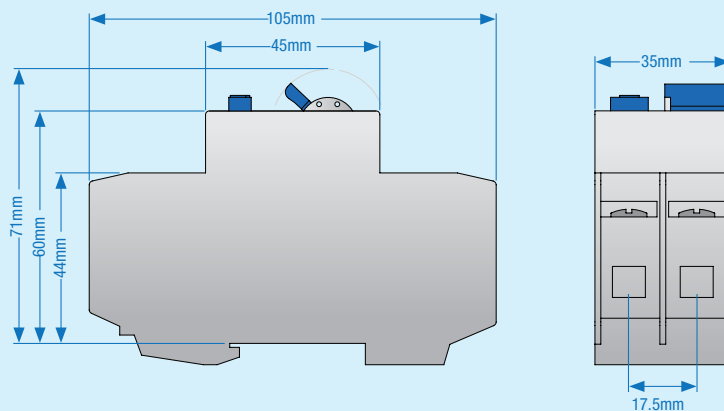


Technical Specification

Number of Poles	1+N
Voltage Rating (maximum)	240V AC
Ground Fault Sensitivity Level	30 mA
Rated Short Circuit Interrupt Capacity	10 kA
Rated Frequency	50/60Hz
Trip Characteristic	C
Cable Size & Tightening Torque	Stranded Wire: 16 - 3 AWG (1.5 mm ² - 25 mm ²) @ 17.5 lb-in (2.0 Nm) Solid Wire: 16 - 10 AWG (1.5 mm ² - 5.5 mm ²) @ 17.5 lb-in (2.0 Nm) 18 - 16 AWG (1 mm ² - 1.5 mm ²) @ 25 lb-in (2.8 Nm)
Electrical Life	6000 Switching Operations
Mechanical Life	10000 Switching Operations

Dimensions

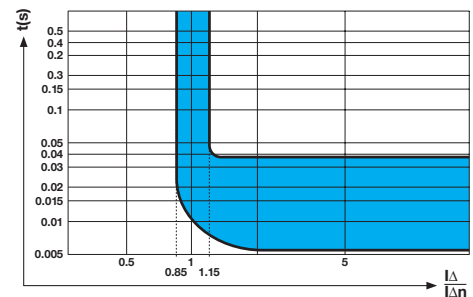
(to convert to inches multiply by 0.03937)



Weight

220 g

GFL Series RCBO Ground Fault Trip Curve



GFL Series - 1 Pole+N, C Trip, 30 mA
 Applicable voltage systems and wiring examples.



NOTE:
 Wiring a hot leg/phase to
 N terminal is not permitted.

UL 489
 Branch Circuit Breaker
 with Ground Fault Relay