

# SKC - Series

Compact Flat Pack Plastic Body

Key Operated Safety Switch



## SKC



In terms of lengths, the SKC safety position switch is the 15 mm shorter variant of the SK. This makes it the right choice for confined installation conditions.

The SKC otherwise offers the same advantages as the SK: Industrial standard with particular emphasis on safety, personal protection and a variable actuator head with two actuator openings.

Other decisive advantages include:

- **Different actuating forces:**

Corresponding to your specific application, in addition to the standard 10 N, you can also choose an actuating force of 5, 20, 30 or 50 N.

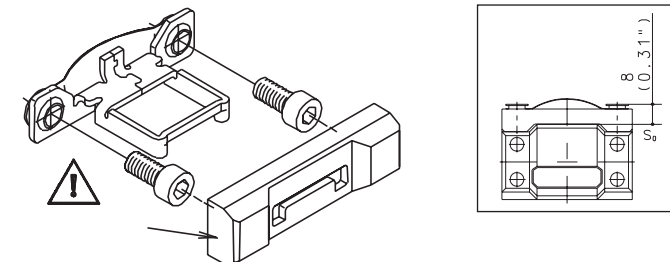
Actuating forces from 30 to 100 N can be realised with the aid of additional components that are mounted on the outside of the switch.

- **Anti-tamper facility:**

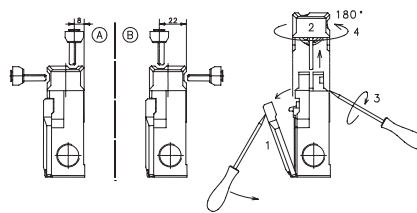
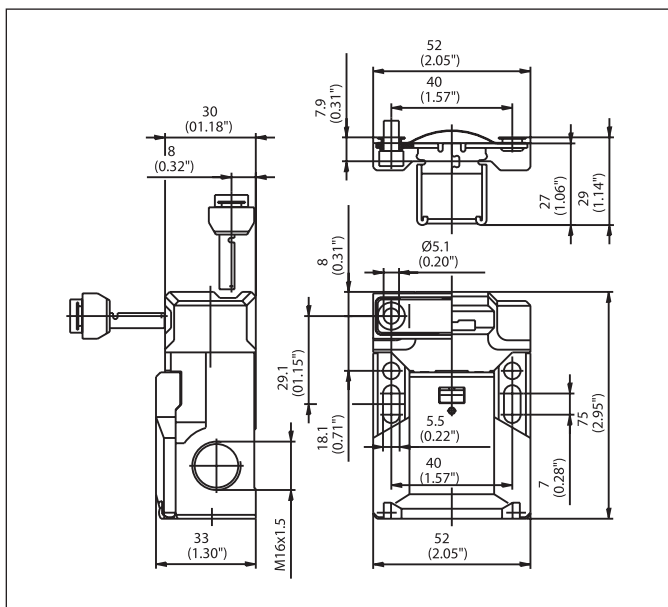
The switching system is protected by multiple coding to ensure enhanced safety of your application.

- **Outstanding handling:**

With the two slots you can easily adjust the SKC safety switch and lock it in position by means of the two holes accessible from the top or the two holes accessible from the front. The switch can be wired from three different sides. A transparent cover prevents foreign particles from entering the contact space while connecting the power supply cable.



$R_{min}$  150 mm (5.9")  
Actuator: Metal



### Technical data

#### Electrical data

Rated insulation voltage	$U_i$ max.	250 V AC
Rated operating voltage	$U_e$ max.	240 V
Conventional thermal current	$I_{the}$	5 A
Utilization category		AC-15, $U_e / I_e$ 240 V / 1.5 A

#### Mechanical data

Switching frequency	$\leq$ 30/min.
Mechanical service life	$1 \times 10^6$ switching cycles
B10d (up to) <sup>①</sup>	2 Mill.
Short-circuit protection	Fuse 6 A gL/gG
Protection class	II, Insulated
Ambient temperature	-30 °C ... + 80 °C
Protection class	IP65 conforming to IEC/EN 60529
Type of connection	Screw connections
Conductor cross sections	Single-wire 0.5 – 1.5 mm <sup>2</sup> or Stranded wire with ferrule 0.5 – 1.5 mm <sup>2</sup>
Enclosure	Thermoplastic, glass fibre-reinforced (UL94-V0)
Cable entry	3 x M16 x 1.5

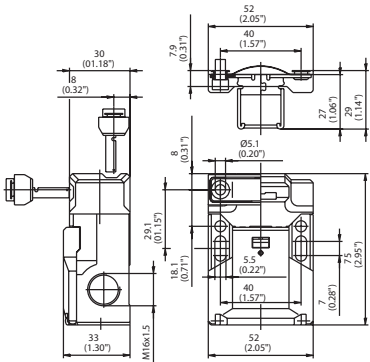
#### Standards

VDE 0660 T100, DIN EN 60947-1, IEC 60947-1 VDE  
0660 T200, DIN EN 60947-5-1, IEC 60947-5-1

① Depending on switching system. See Table on Pages 72 – 75.

# SKC Safety Switches with Separate Actuator

SKC



**Switching operation**    **Standard**    **High actuating force**    **Radius actuation**

**1 NC / 1 NO contact**

**1 NC contacts**            **6016169039**    **6116169016**    **6016169087**  
 SKC-A1Z M            SKC-A1Z F30 M    SKC-A1Z MRU

**2 NC contacts**

**2 NC / 1 NO contact**  
**Overlapping**

**Approvals**



**Special features / variants**

(on request)

- 50 N and 100 N actuating force on request
- Replacement actuator for: Standard **3911452116**  
 High actuating force    **3911451914**  
 Radius actuation        **3911452058**