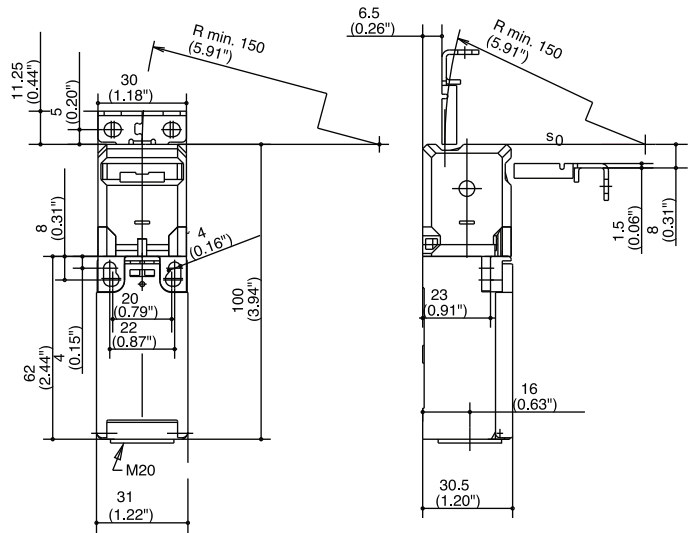


**SKI Series - Small Plastic Body**



The SKI is a slimline safety switch with separate actuator. It is based on the popular BERNSTEIN I88 family. Its dimensions, not including the actuating head, correspond to EN 50047.

The actuating head is rotary mounted and has two actuator openings. The SKI safety switches are designed for installation in confined areas, but still offer durability and dependability. Compared to the SKT, it offers more connection space for the wiring and variants with up to three switching contacts are available.

Other advantages of this series include:

**• Integrated eject function (FE):**

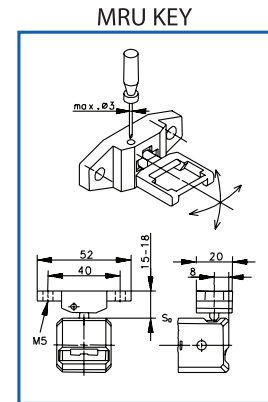
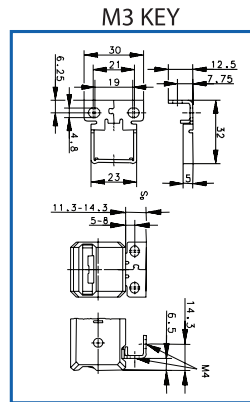
The actuator requires a holding force to maintain insertion into the switch and is ejected if the door is not locked securely. This prevents the machine from starting up if the door is not locked firmly into place.

**• Actuating force up to 11.2 lbs. (50 N):**

The standard actuating force is 2.2 lbs. (10 N). Depending on the switch, an actuating force of 11.2 lbs (50 N) can also be selected. In many applications, doors need to be tightly secured to prevent them being opened unintentionally. This is achieved by means of bolts, fasteners or other latching mechanisms. The SKI safety switch should be selected for applications that require increased actuating force.

**• Hinged Actuator (MRU):**

The MRU actuator is ideally suited for applications where the installation conditions severely restrict the actuating travel or radius. It has an adjustable actuating radius in the horizontal and vertical plane.



**Technical data**

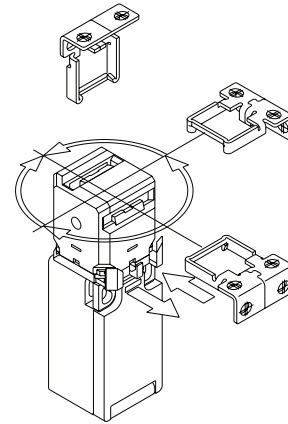
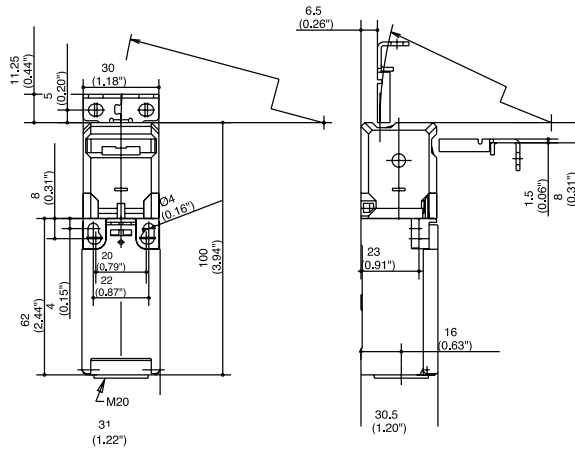
Electrical data		
Rated insulation voltage	U <sub>i</sub> max.	250 V AC
Rated operating voltage	U <sub>e</sub> max.	240 V
Conventional thermal current (up to) <sup>1</sup>	I <sub>the</sub>	10 A
Utilization category (up to) <sup>1</sup>		AC-15, U <sub>e</sub> / I <sub>e</sub> 240 V / 3 A
Mechanical data		
Switching frequency		≤ 30/min.
Mechanical service life Standard		1 x 10 <sup>6</sup> switching cycles
Mechanical service life increased actuator holding force		1 x 10 <sup>5</sup> switching cycles
B10d (up to) <sup>1</sup>		2 Mill.
Short-circuit protection		Fuse 6 A gL/gG
Protection class		II, Insulated
Ambient temperature		-30 °C to +80 °C
Protection class		IP65 conforming to IEC/EN 60529
Type of connection		Screw connections
Conductor cross sections		Single-wire 0.5 - 1.5 mm <sup>2</sup> or Stranded wire with ferrule 0.5 - 1.5 mm <sup>2</sup>
Enclosure		Thermoplastic, glass fibre-reinforced (UL94-V0)
Cable entry		1 x M20 x 1.5
Standards		
VDE 0660 T100, DIN EN 60947-1, IEC 60947-1		
VDE 0660 T200, DIN EN 60947-5-1, IEC 60947-5-1		

<sup>1</sup> Depending on switching system - see technical information for details.

Drawing dimensions in mm

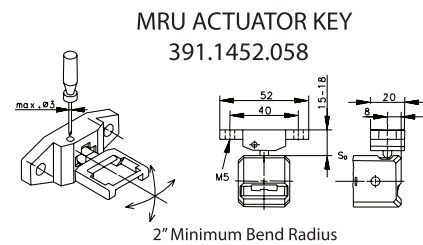
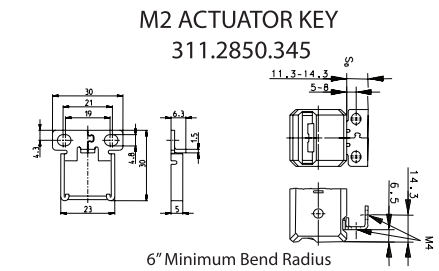
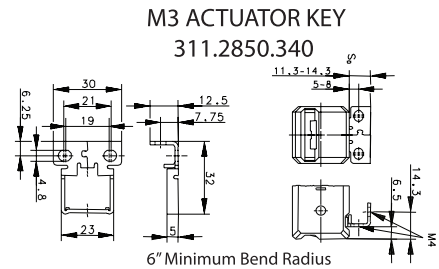
**SKI Series**

**SKI**



Switching Operation	Slow Action	High Activation Force	Radius Activation
<b>1 NC / 1 NO Contacts</b>	<b>601.6819.052</b> SKI-U1Z M3 	<b>601.6819.139</b> SKI-U1Z FI50 M3 	<b>601.6819.123</b> SKI-U1Z MRU 
<b>1 NC Contacts</b>	-	-	-
<b>2 NC Contacts</b>	<b>601.6869.056</b> SKI-A2Z M3 	-	<b>601.6869.122</b> SKI-A2Z MRU 
<b>2 NC / 1 NO Contacts Overlapping</b>	<b>601.6869.058</b> SKI-UV15Z M3 	<b>601.6869.145</b> SKI-UV15Z FI50 M3 	<b>601.6869.131</b> SKI-UV15Z MRU 

**Replacement actuator keys:**



**Technical Information**

	Slow Action	High Activation Force	Radius Activation
Maximum Switching Voltage	240V	240V	240V
Max. Switching Amps (up to)*	10A	10A	10A
B10d (up to)*	20 Million	20 Million	20 Million
Mechanical Service Life (up to)*	10 x 10 <sup>6</sup>	10 x 10 <sup>5</sup>	10 x 10 <sup>6</sup>
Switching Frequency	≤ 30/min	≤ 30/min	≤ 30/min
Operating Temperature	-30 °C to +80 °C	-30 °C to +80 °C	-30 °C to +80 °C
Protection Rating	IP65	IP65	IP65
Utilization Category (up to)*	AC-15, Ue/Ue 240V 3A	AC-15, Ue/Ue 240V 3A	AC-15, Ue/Ue 240V 3A
Rate Insulation Voltage	250VAC	250VAC	250VAC

Approvals

\* Depending on switching system - see technical information for details



Drawing dimensions in mm