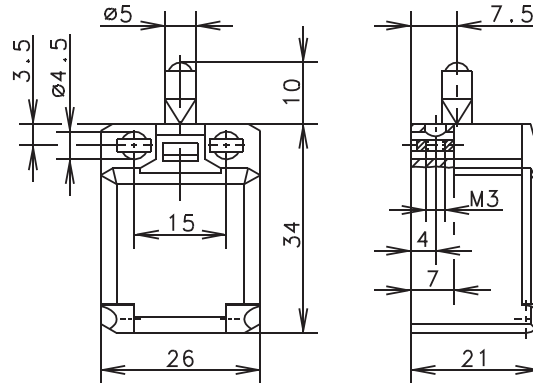


C2 Series



Recommended use

Ideal for safety applications and position monitoring in confined spaces.

Product advantages

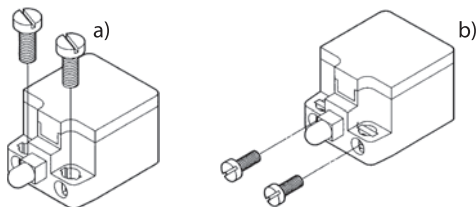
- Miniature switch for safety applications
- Two-channel safety monitoring possible
- With captive snap-on cover
- Small hysteresis in snap action system

Design layout

- Slow-action and snap-action contacts
- Versions: 1 NC / 1NO, 2 NC, 2 NO
- All NC contacts with \ominus in the circuit diagram are positively opening contacts
- Type: Zb (galvanically isolated changeover contact)

Mounting

- Also suitable for front mounting (depending on type)



- a) 2 round holes for M4 screws
- b) 2 Integrated nuts for front mounting for M3 screws (depending on type)

Installation advantages

- Snap-on cover can be released with screwdriver
- Cover opening range 180° (cover can also be detached from hinge)
- Cover protects switching element during installation
- Screw connections with clamping plates
- Transparent cover for adjustment and visual inspection
- Easy to install cover lock (close and press)

Technical data

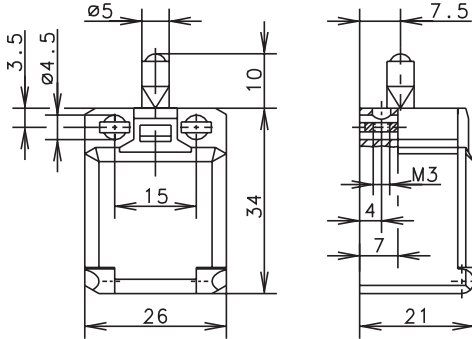
Electrical data		
Rated insulation voltage	U_i max.	240 V AC
Conventional thermal current	I_{the}	10 A
Rated operating voltage	U_e max.	240 V
Utilization category	U_e/I_e	AC-15, U_e/I_e 240 V/3 A
Short-circuit protection		Fuse 6 A gL/gG
Protection class		II, Insulated
Mechanical data		
Enclosure material		Thermoplastic, glass fiber-reinforced (UL 94-V0)
Ambient temperature		-30 °C to +80 °C
Mechanical service life		3×10^6 switching cycles
B10d		6 Mio.
Switching frequency		≤ 100 /min
Type of connection		Screw connections
Conductor cross sections		Single-wire 0.5 – 1.5 mm ² or Stranded wire with ferrule 0.5 – 1.5 mm ²
Cable entry		Rectangle 8.5 x 3.5 mm
Protection class		IP20 conforming to EN 60529; DIN VDE 0470 T1
Standards		
VDE 0660 T100, DIN EN 60947-1, IEC 60947-1		
VDE 0660 T200, DIN EN 60947-5-1, IEC 60947-5-1		

Drawing dimensions in mm

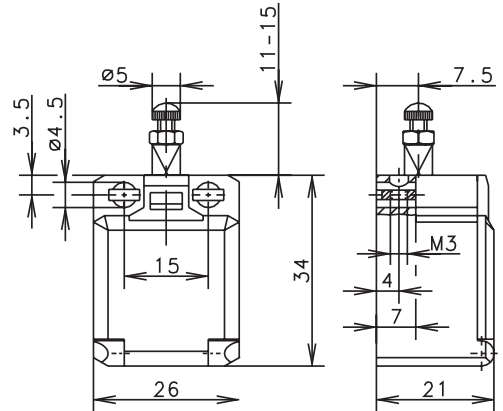
C2 Series



W



ST



Switching Operation	Slow Action	Snap Action	Slow Action	Snap Action
1 NC / 1 NO Contacts	600.8101.001 C2-U1Z 	600.8351.002 C2-SU1Z 	600.8104.025 C2-U1Z ST 	600.8354.026 C2-SU1Z ST
2 NC Contacts	600.8801.003 C2-A2Z 	600.8851.004 C2-SA2Z 	600.8804.027 C2-A2Z ST 	-
2 NO Contacts	600.8801.005 C2-E2 	600.8851.006 C2-SE2 	600.8804.029 C2-E2 ST 	600.8854.030 C2-SE2 ST
1 NC / 1 NO Contacts Overlapping	-	-	-	-

Technical Information

	Slow Action	Snap Action	Slow Action	Snap Action
Maximum Switching Voltage	240V	240V	240V	240V
Maximum Switching Amperage	10A	10A	10A	10A
B10d	6 Million	6 Million	6 Million	6 Million
Mechanical Service Life	3 x 10 ⁶	3 x 10 ⁶	3 x 10 ⁶	3 x 10 ⁶
Switching Frequency	≤ 100/min	≤ 100/min	≤ 100/min	≤ 100/min
Operating Temperature	-30 °C to +80 °C	-30 °C to +80 °C	-30 °C to +80 °C	-30 °C to +80 °C
Protection Rating	IP20	IP20	IP20	IP20
Utilization Category	AC-15, Ue/Ue 240V 3A	AC-15, Ue/Ue 240V 3A	AC-15, Ue/Ue 240V 3A	AC-15, Ue/Ue 240V 3A
Rate Insulation Voltage	240VAC	240VAC	240VAC	240VAC
Approvals				

Special features / variants

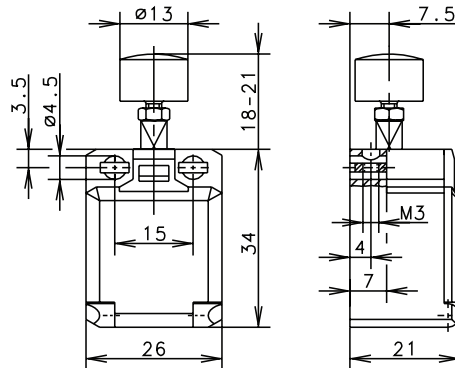
- Actuator length adjustable with threaded screw

Drawing dimensions in mm

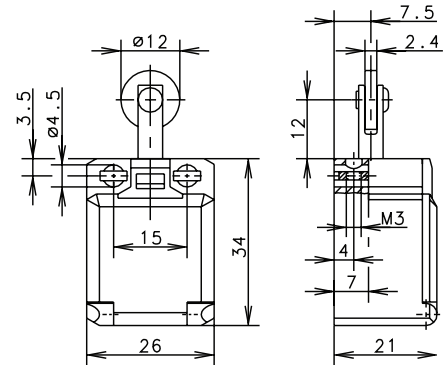
C2 Series



K



R



Switching Operation	Slow Action	Snap Action	Slow Action	Snap Action
1 NC / 1 NO Contacts	600.8107.019 C2-U1Z K 	600.8357.020 C2-SU1Z K 	600.8116.013 C2-U1Z R 	600.8366.014 C2-SU1Z R
2 NC Contacts	600.8807.021 C2-A2Z K 	600.8857.022 C2-SA2Z K 	600.8816.015 C2-SU1Z R 	600.8866.016 C2-SA2Z R
2 NO Contacts	-	-	600.8816.017 C2-E2 R 	-
1 NC / 1 NO Contacts Overlapping	-	-	-	-

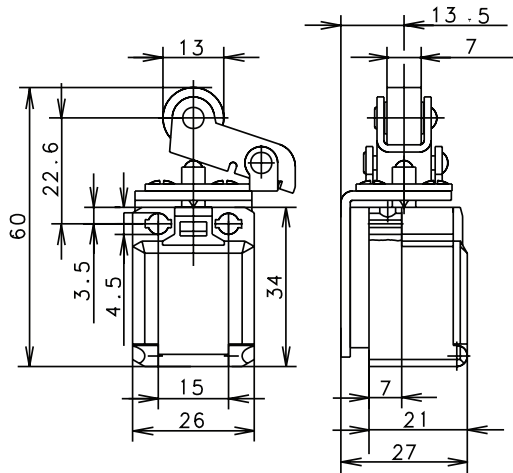
Technical Information

	Slow Action	Snap Action	Slow Action	Snap Action
Maximum Switching Voltage	240V	240V	240V	240V
Maximum Switching Amperage	10A	10A	10A	10A
B10d	6 Million	6 Million	6 Million	6 Million
Mechanical Service Life	3 x 10 ⁶	3 x 10 ⁶	3 x 10 ⁶	3 x 10 ⁶
Switching Frequency	≤ 100/min	≤ 100/min	≤ 100/min	≤ 100/min
Operating Temperature	-30 °C to +80 °C	-30 °C to +80 °C	-30 °C to +80 °C	-30 °C to +80 °C
Protection Rating	IP20	IP20	IP20	IP20
Utilization Category	AC-15, Ue/Ue 240V 3A	AC-15, Ue/Ue 240V 3A	AC-15, Ue/Ue 240V 3A	AC-15, Ue/Ue 240V 3A
Rate Insulation Voltage	240VAC	240VAC	240VAC	240VAC
Approvals				

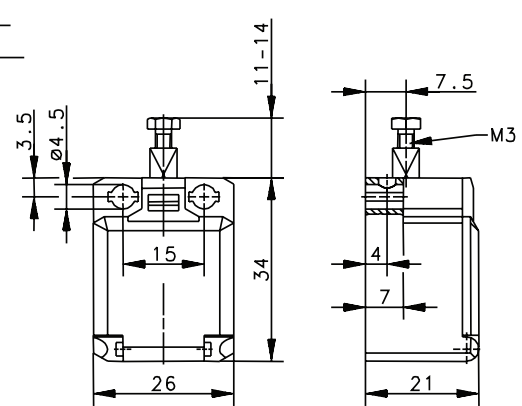
C2 Series



O.M.



Latching O.M.



Switching Operation	Slow Action	Snap Action	Slow Action	Snap Action
1 NC / 1 NO Contacts	600.8101.007+ 391.0190.259 C2-U1Z 	6008351008+ 391.0190.259 C2-SU1Z 	610.8351.008 C2-SU1Z LATCHING O.M. 	
2 NC Contacts	-	-	-	-
2 NO Contacts	-	-	-	-
1 NC / 1 NO Contacts Overlapping	-	-	-	-

Technical Information

	Slow Action	Snap Action	Slow Action	Snap Action
Maximum Switching Voltage	240V	240V	240V	240V
Maximum Switching Amperage	10A	10A	10A	10A
B10d	6 Million	6 Million	6 Million	6 Million
Mechanical Service Life	3 x 10 ⁶	3 x 10 ⁶	3 x 10 ⁶	3 x 10 ⁶
Switching Frequency	≤ 100/min	≤ 100/min	≤ 100/min	≤ 100/min
Operating Temperature	-30 °C to +80 °C	-30 °C to +80 °C	-30 °C to +80 °C	-30 °C to +80 °C
Protection Rating	IP20	IP20	IP20	IP20
Utilization Category	AC-15, Ue/Ue 240V 3A	AC-15, Ue/Ue 240V 3A	AC-15, Ue/Ue 240V 3A	AC-15, Ue/Ue 240V 3A
Rate Insulation Voltage	240VAC	240VAC	240VAC	240VAC

Approvals



Special features / variants

- Actuator length adjustable with threaded screw

Drawing dimensions in mm