

BERNSTEIN aluminium enclosures have a well proven record of success in encapsulating electrical, electronic or pneumatic components, while also being ideally suited for applications in potentially explosive atmospheres. All enclosures comply with protection class IP 66 according to DIN EN 60529 (optionally IP 67).

BERNSTEIN aluminium enclosures feature earthing screws (copper-plated, M4 or M6) in the body and in the cover for connecting PE conductors. The surfaces under the earthing screws are left blank. The screws for mounting the covers on BERNSTEIN enclosures are made from stainless steel and are held captive by the self-latching hinge integrated in the cover. The protection class (on the standard enclosure) is ensured by a factory-fitted seal. BERNSTEIN aluminium enclosures are finished as standard in RAL 7001 (silver grey).

BERNSTEIN uses pressure die-casting or gravity die-casting moulds to manufacture

the aluminium enclosures. The mounting flanges or even the earthing socket on the inside of the enclosure can be used for mounting and securing built-in components (mounting rail, mounting plate, pc board etc.). These mounting points on the inside of the enclosures are located at different levels and in different positions. The dimensioned drawings on the following pages show the relevant positions.

Technical data

Material

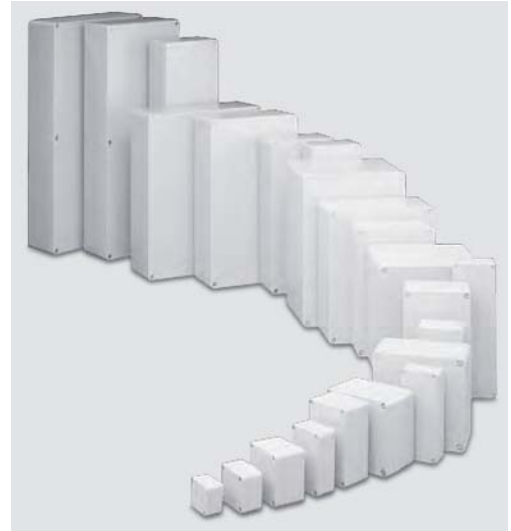
Aluminium pressure die-casting or gravity die-casting

Seal

Neoprene (CR) round cord (silicone-free), silicone round cord, EPDM round cord

Cover screws

Stainless steel, captive, cross recessed head



Optionally:

- Stainless steel, captive hexagon socket head cap screws
- Sealed cover screws, steel (9 S 20 K), slot head (on request)

Coating

Standard: RAL 7001 (silver grey)

Optionally:

- Special RAL colours
- Special coatings
- The standard coating is salt spray resistant in accordance with IEC 60068-2-52, severity level 1. A chromalized surface finish is additionally available on request.

Temperature range of CA enclosures, standard powder-coated finish

-30°C to +80°C

Please contact us for higher temperature ranges.

Temperature range of seals

-30°C to +80°C (Neoprene seal)

Alternatively:

-60 °C to +130°C (silicone seal)
or rather -35°C to +100°C (EPDM seal)

Protection class

IP 66
IP 67 on request

Approbations

Germanischer Lloyd

UL

ATEX

Label on demand



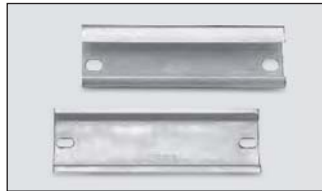
Aluminium enclosure							
Dimensions/mm/inches							
L	x	B	x	H	L	x	B x H
				Article number		Type	
50	x	45	x	30	2.0"	x	1.8" x 1.2"
58	x	64	x	36	2.3"	x	2.5" x 1.4"
98	x	64	x	36	3.9"	x	2.5" x 1.4"
150	x	64	x	36	5.9"	x	2.5" x 1.4"
75	x	80	x	57	3.0"	x	3.1" x 2.2"
75	x	80	x	57	3.0"	x	3.1" x 2.2"
125	x	80	x	57	4.9"	x	3.1" x 2.2"
125	x	80	x	57	4.9"	x	3.1" x 2.2"
175	x	80	x	57	6.9"	x	3.1" x 2.2"
175	x	80	x	57	6.9"	x	3.1" x 2.2"
250	x	80	x	57	9.8"	x	3.1" x 2.2"
122	x	122	x	80	4.8"	x	4.8" x 3.1"
122	x	122	x	90	4.8"	x	4.8" x 3.5"
122	x	122	x	80	4.8"	x	4.8" x 3.1"
220	x	122	x	80	8.7"	x	4.8" x 3.1"
220	x	122	x	90	8.7"	x	4.8" x 3.5"
220	x	122	x	80	8.7"	x	4.8" x 3.1"
360	x	122	x	80	14.2"	x	4.8" x 3.1"
160	x	160	x	90	6.3"	x	6.3" x 3.5"
160	x	160	x	90	6.3"	x	6.3" x 3.5"
260	x	160	x	90	10.2"	x	6.3" x 3.5"
260	x	160	x	90	10.2"	x	6.3" x 3.5"
360	x	160	x	90	14.2"	x	6.3" x 3.5"
560	x	160	x	90	22.0"	x	6.3" x 3.5"
200	x	230	x	110	7.9"	x	9.1" x 4.3"
200	x	230	x	180	7.9"	x	9.1" x 7.1"
280	x	230	x	110	11.0"	x	9.1" x 4.3"
330	x	230	x	110	13.0"	x	9.1" x 4.3"
330	x	230	x	180	13.0"	x	9.1" x 7.1"
401	x	230	x	110	15.8"	x	9.1" x 4.3"
600	x	230	x	110	23.6"	x	9.1" x 4.3"
402	x	310	x	110	15.8"	x	12.2" x 4.3"
402	x	310	x	180	15.8"	x	12.2" x 7.1"
600	x	310	x	110	23.6"	x	12.2" x 4.3"
600	x	310	x	180	23.6"	x	12.2" x 7.1"

This is just a selection of possible assembly components that BERNSTEIN offers. Contact us, we can incorporate components from all leading manufacturers to satisfy your individual demand. You find further information about "System solutions" on page 12.



Mounting plates

made from galvanised steel plate (thickness: CA-060 to CA-310, CA-350 to CA-400: 1.5 mm; CA-330, CA-420 to CA-480: 2.5 mm) for versatile mounting of built-in components.



Mounting rails

conforming to Standards TS 15 or TS 32 and TS 35 made from steel; surface treated for accepting terminal blocks.



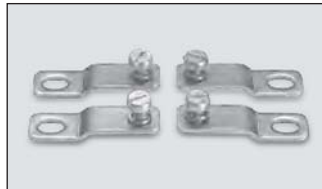
Terminal blocks

of all renowned manufacturers are used.



Earthing bars

made from galvanised steel for combining and connecting PE conductors.



External mounting brackets

made from stainless steel for mounting enclosures without opening the covers. Variable mounting in 90°-steps thanks to contour in base of enclosure.



External articulated hinges

for hinged mounting of enclosure cover. Opening range of cover approx. 155°. Cast aluminium (painted in RAL 7001 – specific colour according to enclosure specification possible). Machining is required for mounting on enclosures.



Internal articulated hinges

for hinged mounting of enclosure cover. Opening range of cover approx. 95°. Stainless steel. Machining is required for mounting on enclosures.



Silicon, EPDM or HF seal

with increased temperature resistance (see indications left side) or to protect sensitive electronic equipment against high-frequency radiation (HF seal). For a conductive connection, grooves and springs of the enclosure must be left blank.



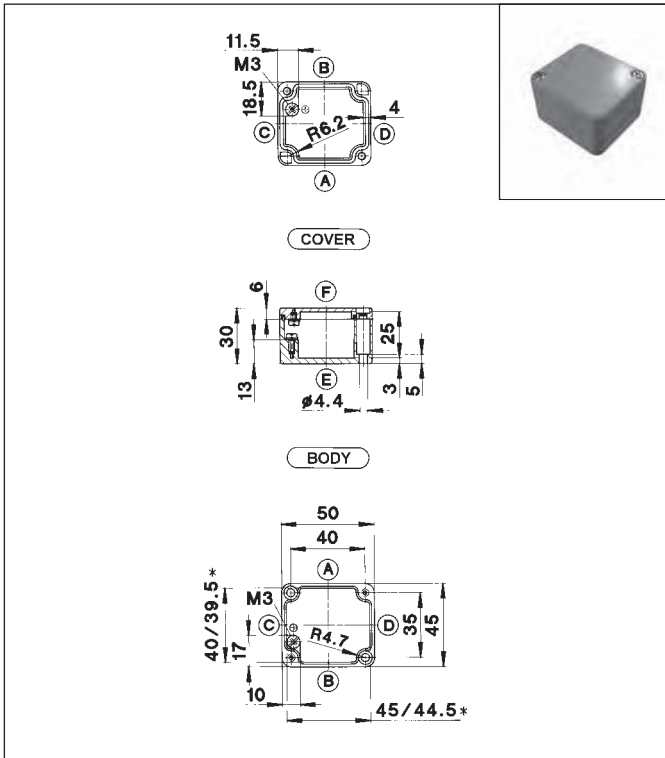
Cable glands

plastic cable glands (polyamide PAGV-2, RAL 7001) or brass cable glands. Sealing element CR/NBR. Temperature range: -20°C to +100°C. Other cable glands on demand.



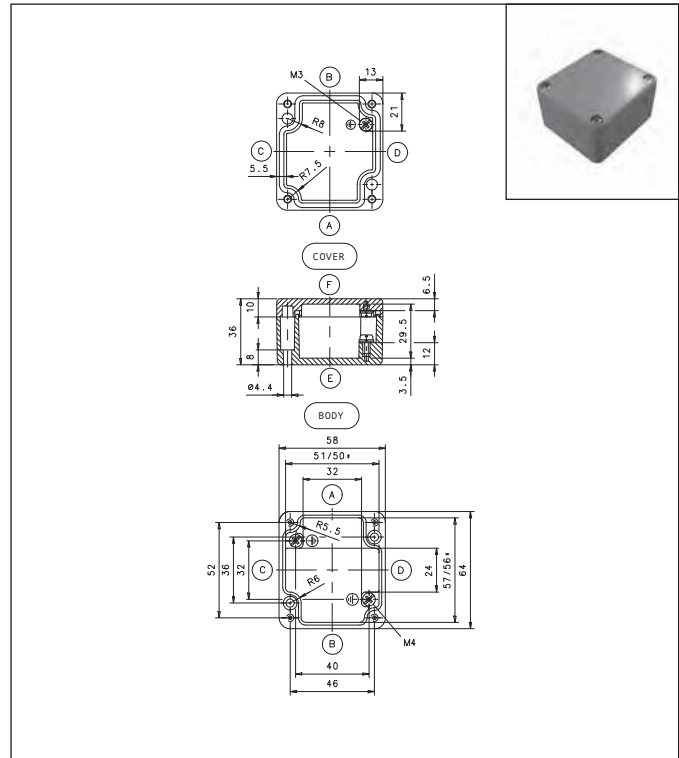
50 x 45 x 30 mm

CA-020
Aluminium enclosures



58 x 64 x 36 mm

CA-060
Aluminium enclosures



* Smaller dimension at mounting plate support

* Smaller dimension at mounting plate support

Type	CA-020
Weight (g)	70
External dimension (mm)	50 x 45 x 30
Ordering data Enclosure (painted) with seal (CR) with cover screws unwashed, not painted, loose accessories	Part number 1020000000 1020034000
Accessories (individual part or installation kit)	
Mounting plate	-
Mounting rail TS 15	-
Mounting rail TS 32	-
Mounting rail TS 35	-
Earthing rail	-
External mounting brackets	-
External articulated hinges	-
Internal articulated hinges with cover guide**	-
Silicone seal for extended temperature range (by the metre)	-
Maximum possible number of threads	
ISO M	12 16 20 25 32 40 50 63
Side A/B	1 0 0 0 0 0 0 0
Side C/D	1 0 0 0 0 0 0 0

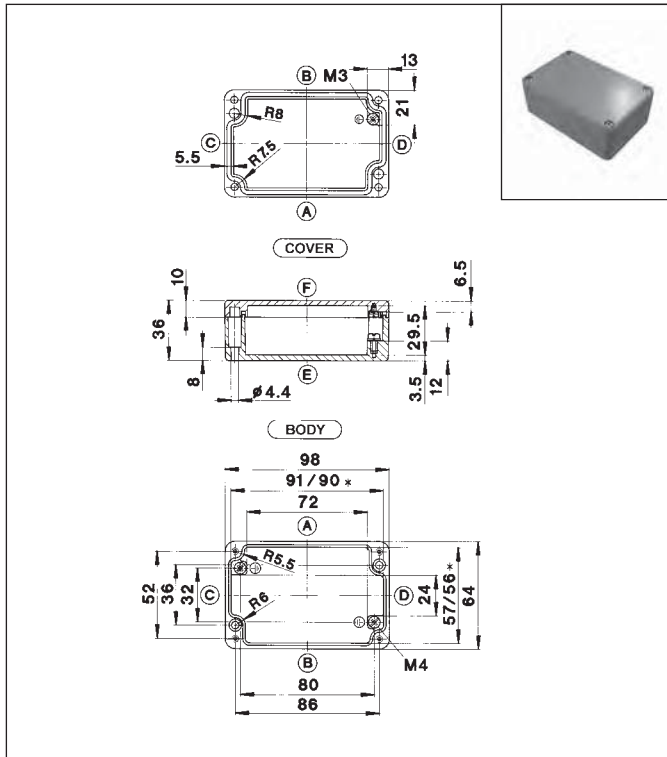
** Enclosure preparation required

Type	CA-060
Weight (g)	160
External dimension (mm)	58 x 64 x 36
Ordering data Enclosure (painted) with seal (CR) with cover screws unwashed, not painted, loose accessories	Part number 1060000000 1060038000
Accessories (individual part or installation kit)	
Mounting plate	9511001000
Mounting rail TS 15	9820000000
Mounting rail TS 32	-
Mounting rail TS 35	-
Earthing rail	-
External mounting brackets	-
External articulated hinges	-
Internal articulated hinges with cover guide**	-
Silicone seal for extended temperature range (by the metre)	on request
Maximum possible number of threads	
ISO M	12 16 20 25 32 40 50 63
Side A/B	2 1 0 0 0 0 0 0
Side C/D	1 0 0 0 0 0 0 0

** Enclosure preparation required

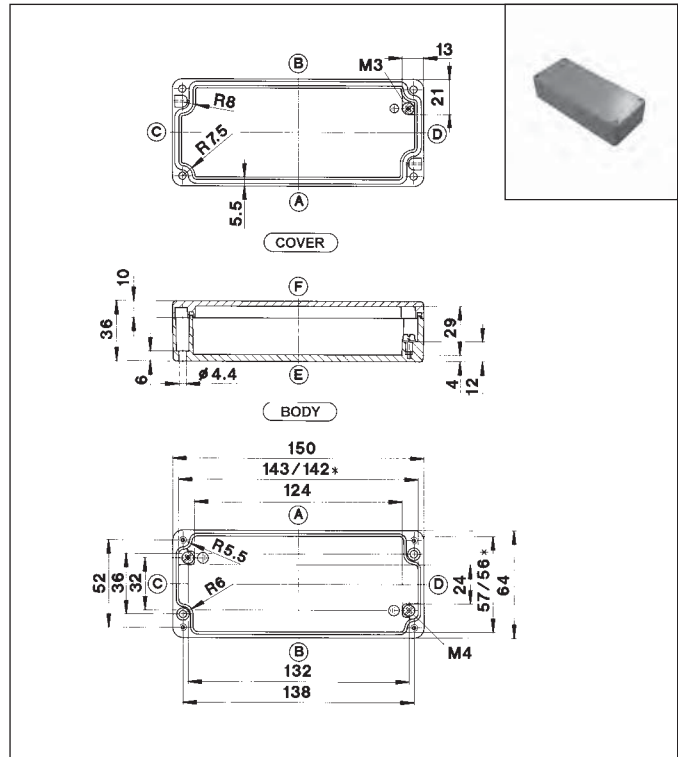
98 x 64 x 36 mm

CA-080
Aluminium enclosures



150 x 64 x 36 mm

CA-100
Aluminium enclosures



* Smaller dimension at mounting plate support

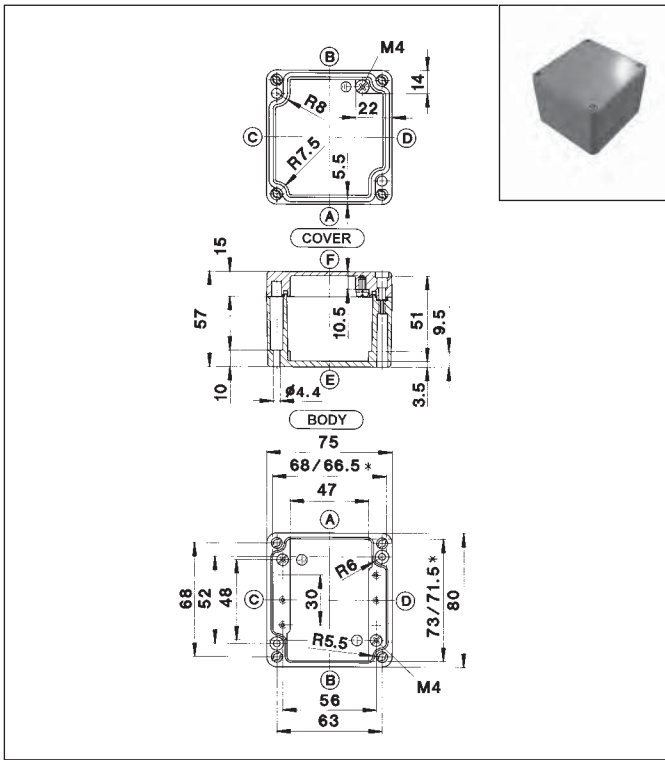
* Smaller dimension at mounting plate support

Type	CA-080
Weight (g)	220
External dimension (mm)	98 x 64 x 36
Ordering data Enclosure (painted) with seal (CR)	Part number
with cover screws	1080000000
unwashed, not painted, loose accessories	1080042000
Accessories (individual part or installation kit)	
Mounting plate	9511002000
Mounting rail TS 15	9820005000
Mounting rail TS 32	-
Mounting rail TS 35	-
Earthing rail	-
External mounting brackets	-
External articulated hinges	-
Internal articulated hinges with cover guide**	-
Silicone seal for extended temperature range (by the metre)	on request
Maximum possible number of threads	
ISO M	12 16 20 25 32 40 50 63
Side A/B	4 3 0 0 0 0 0 0
Side C/D	1 0 0 0 0 0 0 0
** Enclosure preparation required	

Type	CA-100
Weight (g)	330
External dimension (mm)	150 x 64 x 36
Ordering data Enclosure (painted) with seal (CR)	Part number
with cover screws	1100000000
unwashed, not painted, loose accessories	1100053000
Accessories (individual part or installation kit)	
Mounting plate	9511003000
Mounting rail TS 15	9820011000
Mounting rail TS 32	-
Mounting rail TS 35	-
Earthing rail	-
External mounting brackets	-
External articulated hinges	-
Internal articulated hinges with cover guide**	-
Silicone seal for extended temperature range (by the metre)	on request
Maximum possible number of threads	
ISO M	12 16 20 25 32 40 50 63
Side A/B	6 4 0 0 0 0 0 0
Side C/D	1 0 0 0 0 0 0 0
** Enclosure preparation required	

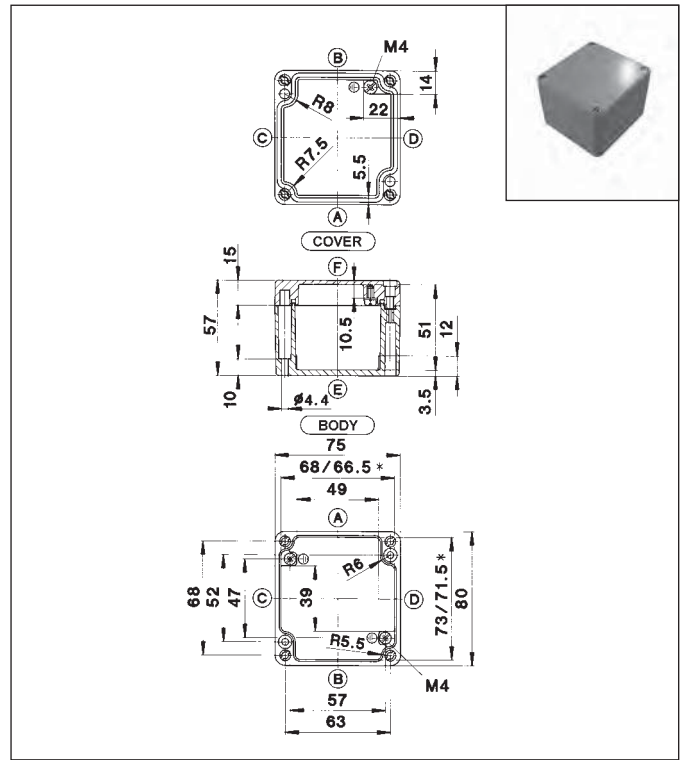
75 x 80 x 57 mm

CA-130
Aluminium enclosures



75 x 80 x 57 mm

CA-140
Aluminium enclosures



* Smaller dimension at mounting plate support

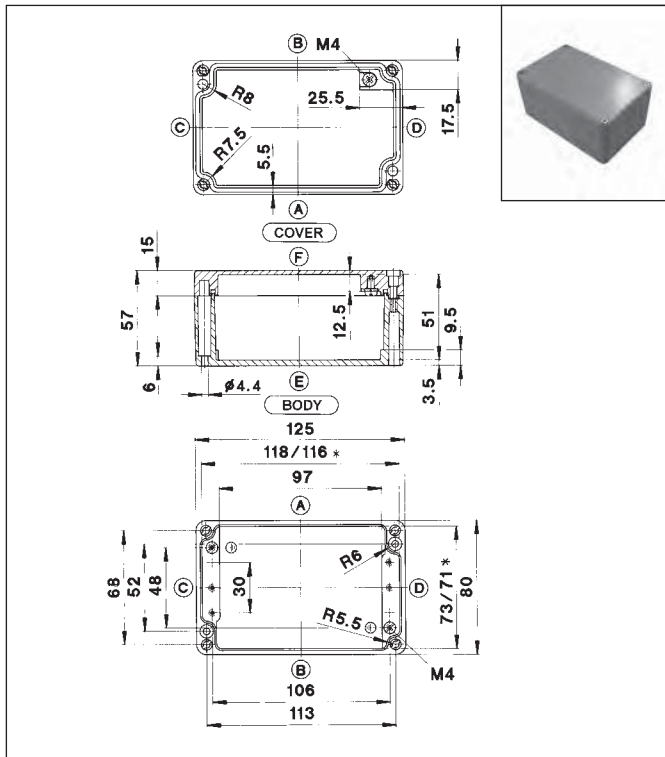
* Smaller dimension at mounting plate support

Type	CA-130
Weight (g)	280
External dimension (mm)	75 x 80 x 57
Ordering data Enclosure (painted) with seal (CR)	Part number
with cover screws	1130000000
unwashed, not painted, loose accessories	1130057000
Accessories (individual part or installation kit)	
Mounting plate	9823015000
Mounting rail TS 15	9820002000
Mounting rail TS 32	-
Mounting rail TS 35	-
Earthing rail	-
External mounting brackets	-
External articulated hinges	9801044000
Internal articulated hinges with cover guide**	-
Silicone seal for extended temperature range (by the metre)	on request
Maximum possible number of threads	
ISO M	12 16 20 25 32 40 50 63
Side A/B	5 2 1 0 0 0 0 0
Side C/D	3 2 1 0 0 0 0 0
** Enclosure preparation required	

Type	CA-140
Weight (g)	280
External dimension (mm)	75 x 80 x 57
Ordering data Enclosure (painted) with seal (CR)	Part number
with cover screws	1140000000
unwashed, not painted, loose accessories	1140080000
Accessories (individual part or installation kit)	
Mounting plate	9511004000
Mounting rail TS 15	9820035000
Mounting rail TS 32	-
Mounting rail TS 35	-
Earthing rail	-
External mounting brackets	-
External articulated hinges	9801044000
Internal articulated hinges with cover guide**	-
Silicone seal for extended temperature range (by the metre)	on request
Maximum possible number of threads	
ISO M	12 16 20 25 32 40 50 63
Side A/B	5 2 1 1 0 0 0 0
Side C/D	3 2 1 1 0 0 0 0
** Enclosure preparation required	

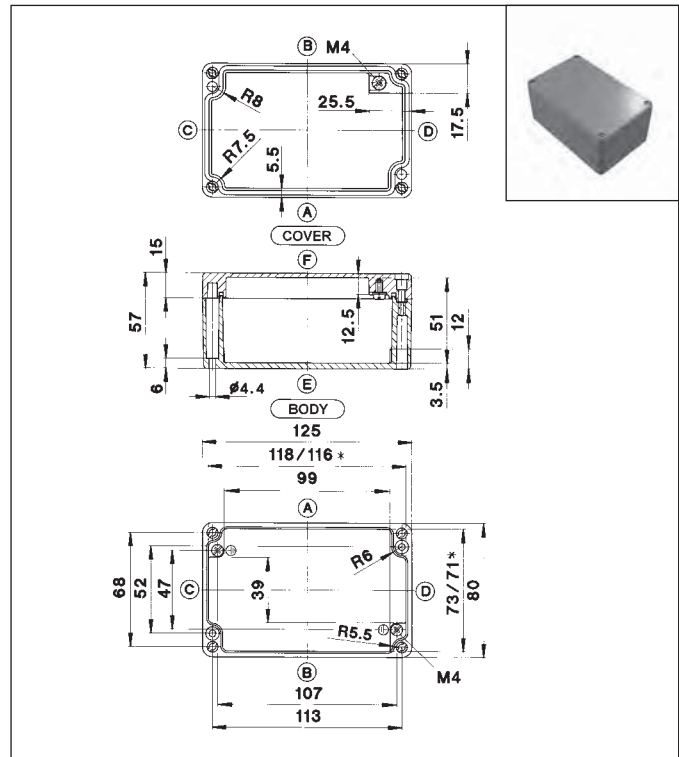
125 x 80 x 57 mm

CA-150
Aluminium enclosures



125 x 80 x 57 mm

CA-160
Aluminium enclosures



* Smaller dimension at mounting plate support

* Smaller dimension at mounting plate support

Type	CA-150
Weight (g)	435
External dimension (mm)	125 x 80 x 57
Ordering data Enclosure (painted) with seal (CR) with cover screws	Part number 1150000000
unwashed, not painted, loose accessories	1150019000
Accessories (individual part or installation kit)	
Mounting plate	9823016000
Mounting rail TS 15	9820010000
Mounting rail TS 32	-
Mounting rail TS 35	-
Earthing rail	-
External mounting brackets	-
External articulated hinges	9801044000
Internal articulated hinges with cover guide**	-
Silicone seal for extended temperature range (by the metre)	on request
Maximum possible number of threads	
ISO M	12 16 20 25 32 40 50 63
Side A/B	10 4 3 2 0 0 0 0
Side C/D	3 2 1 0 0 0 0 0

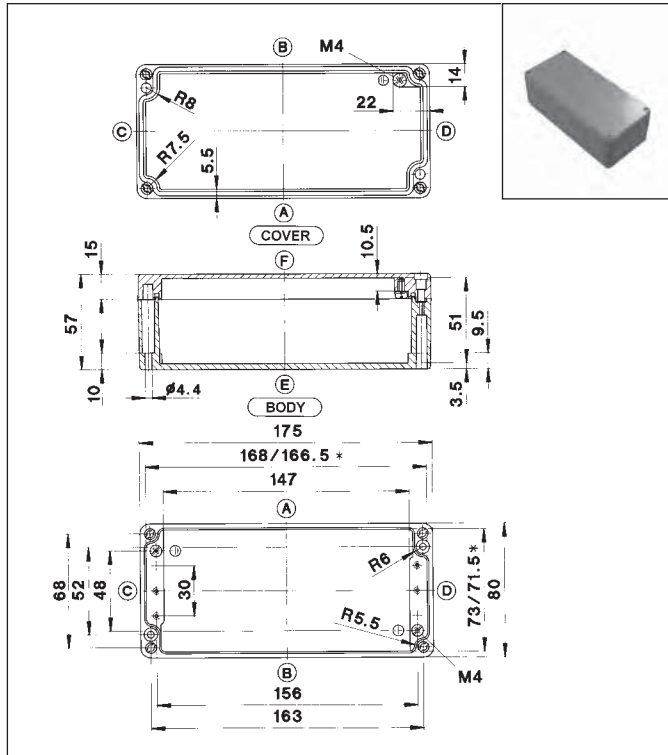
** Enclosure preparation required

Type	CA-160
Weight (g)	435
External dimension (mm)	125 x 80 x 57
Ordering data Enclosure (painted) with seal (CR) with cover screws	Part number 1160000000
unwashed, not painted, loose accessories	1160045000
Accessories (individual part or installation kit)	
Mounting plate	9511005000
Mounting rail TS 15	9820036000
Mounting rail TS 32	-
Mounting rail TS 35	-
Earthing rail	-
External mounting brackets	-
External articulated hinges	9801044000
Internal articulated hinges with cover guide**	-
Silicone seal for extended temperature range (by the metre)	on request
Maximum possible number of threads	
ISO M	12 16 20 25 32 40 50 63
Side A/B	10 4 3 2 0 0 0 0
Side C/D	4 2 1 1 0 0 0 0

** Enclosure preparation required

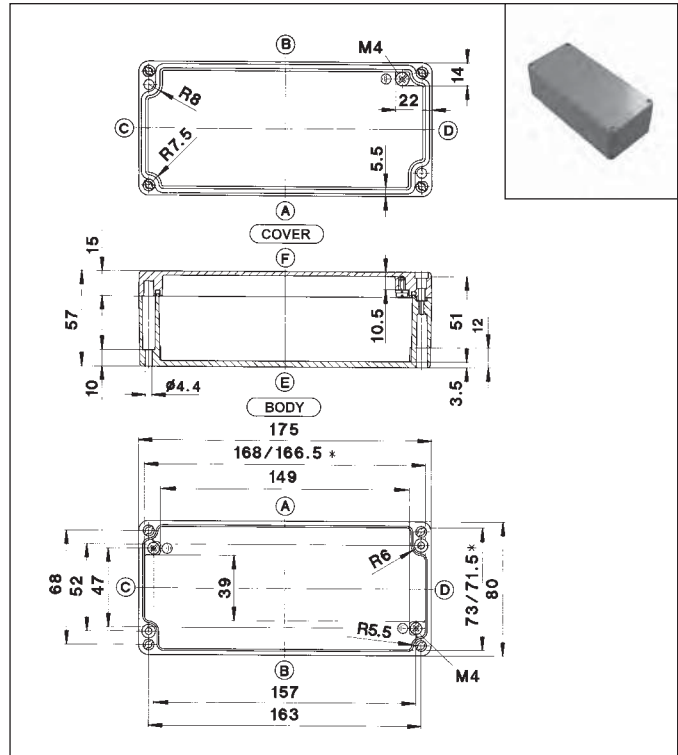
175 x 80 x 57 mm

CA-170
Aluminium enclosures



175 x 80 x 57 mm

CA-180
Aluminium enclosures



* Smaller dimension at mounting plate support

* Smaller dimension at mounting plate support

Type	CA-170
Weight (g)	530
External dimension (mm)	175 x 80 x 57
Ordering data Enclosure (painted) with seal (CR) with cover screws	Part number 1170000000
unwashed, not painted, loose accessories	1170016000
Accessories (individual part or installation kit)	
Mounting plate	9823017000
Mounting rail TS 15	9820014000
Mounting rail TS 32	-
Mounting rail TS 35	-
Earthing rail	-
External mounting brackets	-
External articulated hinges	9801044000
Internal articulated hinges with cover guide**	-
Silicone seal for extended temperature range (by the metre)	on request
Maximum possible number of threads	
ISO M	12 16 20 25 32 40 50 63
Side A/B	14 6 4 4 0 0 0 0
Side C/D	3 2 1 0 0 0 0 0

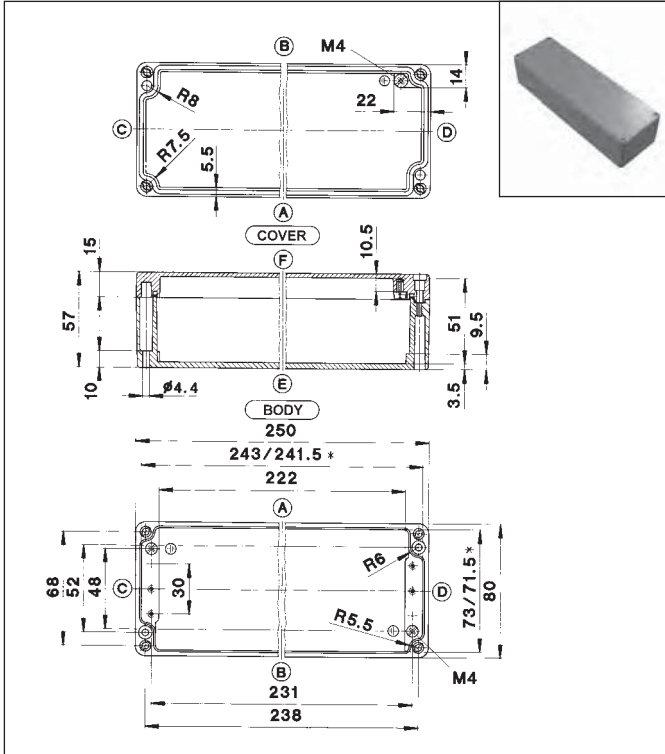
** Enclosure preparation required

Type	CA-180
Weight (g)	530
External dimension (mm)	175 x 80 x 57
Ordering data Enclosure (painted) with seal (CR) with cover screws	Part number 1180000000
unwashed, not painted, loose accessories	1180040000
Accessories (individual part or installation kit)	
Mounting plate	9511006000
Mounting rail TS 15	9820037000
Mounting rail TS 32	-
Mounting rail TS 35	-
Earthing rail	-
External mounting brackets	-
External articulated hinges	9801044000
Internal articulated hinges with cover guide**	-
Silicone seal for extended temperature range (by the metre)	on request
Maximum possible number of threads	
ISO M	12 16 20 25 32 40 50 63
Side A/B	14 6 4 4 0 0 0 0
Side C/D	4 2 1 1 0 0 0 0

** Enclosure preparation required

250 x 80 x 57 mm

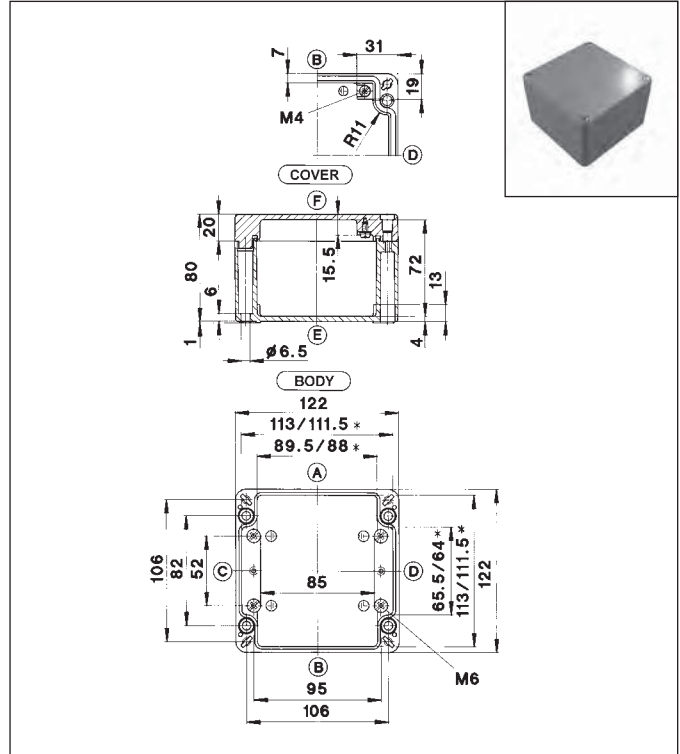
CA-190
Aluminium enclosures



* Smaller dimension at mounting plate support

122 x 122 x 80 mm

CA-210
Aluminium enclosures



* Smaller dimension at mounting plate support

Type	CA-190
Weight (g)	710
External dimension (mm)	250 x 80 x 57
Ordering data Enclosure (painted) with seal (CR) with cover screws	Part number 1190000000
Unwashed, not painted, loose accessories	1190026000
Accessories (individual part or installation kit)	
Mounting plate	9823021000
Mounting rail TS 15	9820019000
Mounting rail TS 32	-
Mounting rail TS 35	-
Earthing rail	-
External mounting brackets	-
External articulated hinges	9801044000
Internal articulated hinges with cover guide**	-
Silicone seal for extended temperature range (by the metre)	on request
Maximum possible number of threads	
ISO M	12 16 20 25 32 40 50 63
Side A/B	22 9 7 5 0 0 0 0
Side C/D	3 2 1 0 0 0 0 0

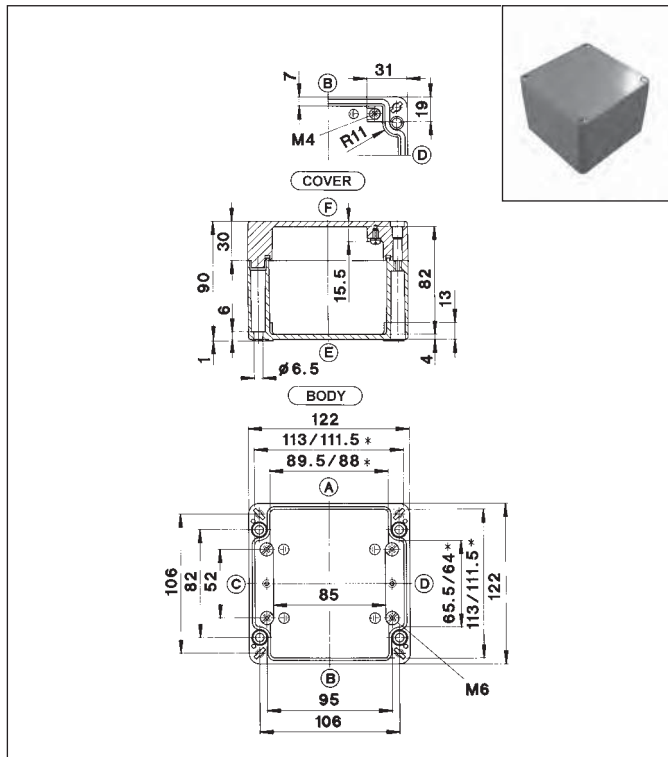
** Enclosure preparation required

Type	CA-210
Weight (g)	940
External dimension (mm)	122 x 122 x 80
Ordering data Enclosure (painted) with seal (CR) with cover screws	Part number 1210000000
Unwashed, not painted, loose accessories	1210016000
Accessories (individual part or installation kit)	
Mounting plate	9511150000
Mounting rail TS 15	9820019000
Mounting rail TS 32	9821000000
Mounting rail TS 35	9822001000
Earthing rail	9810002000
External mounting brackets	9824024000
External articulated hinges	9801047000
Internal articulated hinges with cover guide**	9801031000
Silicone seal for extended temperature range (by the metre)	on request
Maximum possible number of threads	
ISO M	12 16 20 25 32 40 50 63
Side A/B	12 6 4 2 2 0 0 0
Side C/D	5 2 2 1 0 0 0 0

** Enclosure preparation required

122 x 122 x 90 mm

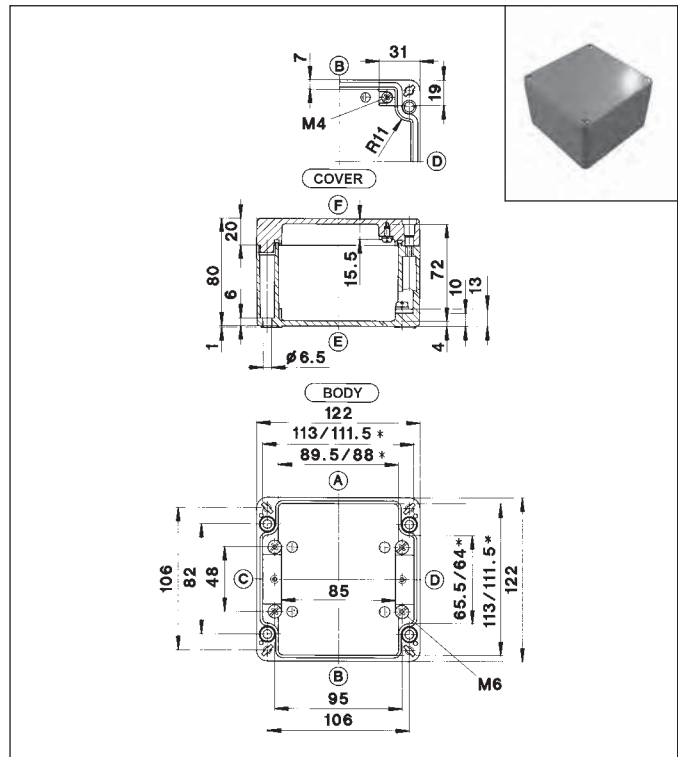
CA-215
Aluminium enclosures



* Smaller dimension at mounting plate support

122 x 122 x 80 mm

CA-220
Aluminium enclosures



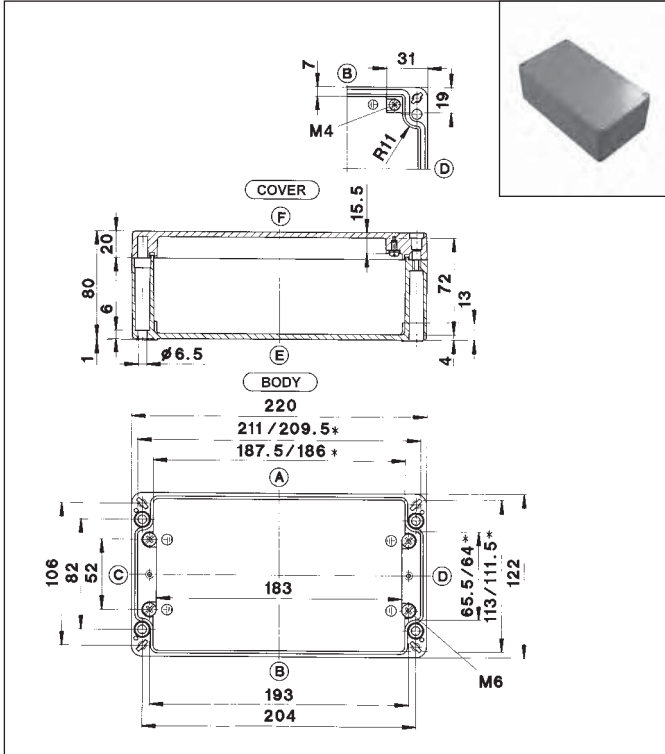
* Smaller dimension at mounting plate support

Type	CA-215
Weight (g)	940
External dimension (mm)	122 x 122 x 90
Ordering data Enclosure (painted) with seal (CR) with cover screws	Part number 1210000050
unwashed, not painted, loose accessories	1210012050
Accessories (individual part or installation kit)	
Mounting plate	9511150000
Mounting rail TS 15	-
Mounting rail TS 32	9821000000
Mounting rail TS 35	9822001000
Earthing rail	9810002000
External mounting brackets	9824024000
External articulated hinges	9801047000
Internal articulated hinges with cover guide**	9801031000
Silicone seal for extended temperature range (by the metre)	on request
Maximum possible number of threads	
ISO M	12 16 20 25 32 40 50 63
Side A/B	12 6 4 2 2 0 0 0
Side C/D	5 2 2 1 0 0 0 0
** Enclosure preparation required	

Type	CA-220
Weight (g)	940
External dimension (mm)	122 x 122 x 80
Ordering data Enclosure (painted) with seal (CR) with cover screws	Part number 1220000000
unwashed, not painted, loose accessories	1220061000
Accessories (individual part or installation kit)	
Mounting plate	9511008000
Mounting rail TS 15	-
Mounting rail TS 32	9821000000
Mounting rail TS 35	9822001000
Earthing rail	9810002000
External mounting brackets	9824024000
External articulated hinges	9801047000
Internal articulated hinges with cover guide**	9801031000
Silicone seal for extended temperature range (by the metre)	on request
Maximum possible number of threads	
ISO M	12 16 20 25 32 40 50 63
Side A/B	12 6 4 2 2 0 0 0
Side C/D	5 2 2 1 0 0 0 0
** Enclosure preparation required	

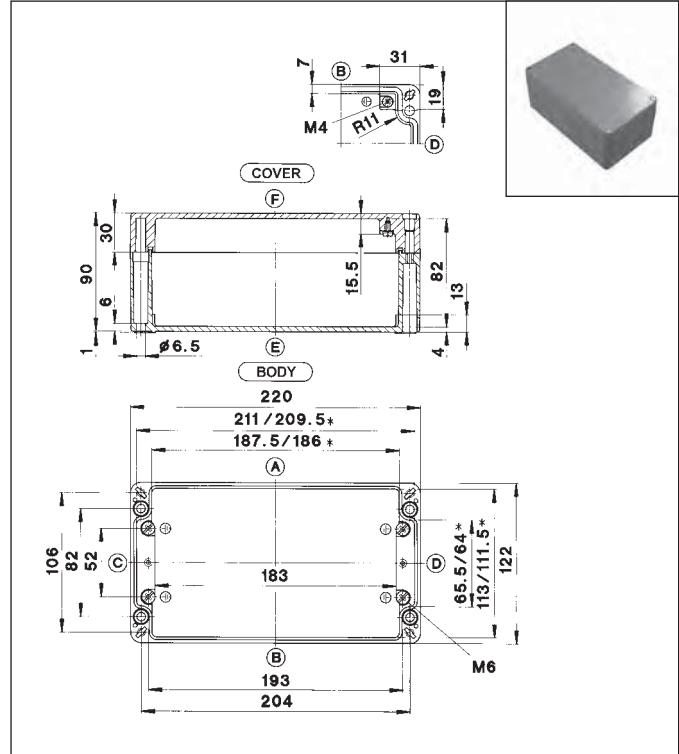
220 x 122 x 80 mm

CA-230
Aluminium enclosures



220 x 122 x 90 mm

CA-235
Aluminium enclosures



* Smaller dimension at mounting plate support

* Smaller dimension at mounting plate support

Type	CA-230
Weight (g)	1410
External dimension (mm)	220 x 122 x 80
Ordering data Enclosure (painted) with seal (CR)	Part number
with cover screws	1230000000
unwashed, not painted, loose accessories	1230015000
Accessories (individual part or installation kit)	
Mounting plate	9511095000
Mounting rail TS 15	-
Mounting rail TS 32	9821005000
Mounting rail TS 35	9822007000
Earthing rail	9810008000
External mounting brackets	9824024000
External articulated hinges	9801047000
Internal articulated hinges with cover guide**	9801031000
Silicone seal for extended temperature range (by the metre)	on request
Maximum possible number of threads	
ISO M	12 16 20 25 32 40 50 63
Side A/B	27 12 8 5 4 0 0 0
Side C/D	5 2 2 1 0 0 0 0

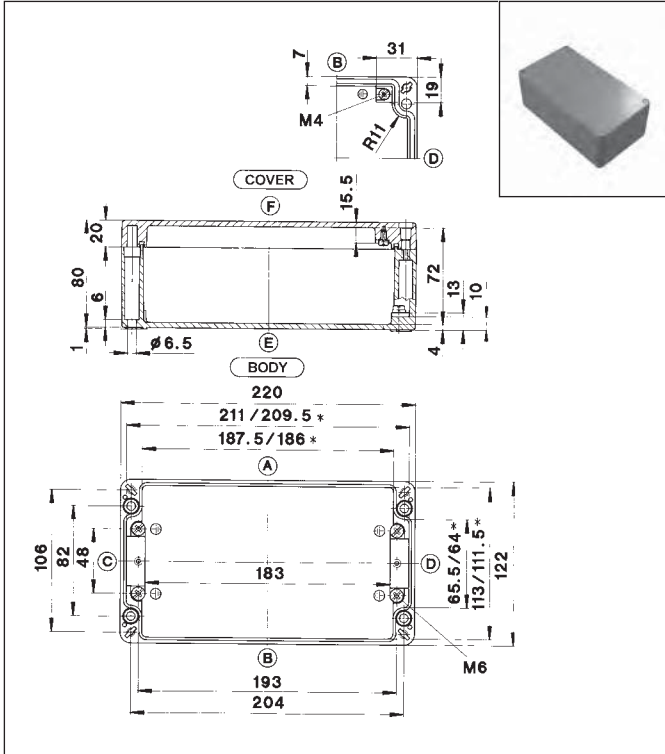
** Enclosure preparation required

Type	CA-235
Weight (g)	1410
External dimension (mm)	220 x 122 x 90
Ordering data Enclosure (painted) with seal (CR)	Part number
with cover screws	1230000050
unwashed, not painted, loose accessories	1230012050
Accessories (individual part or installation kit)	
Mounting plate	9511095000
Mounting rail TS 15	-
Mounting rail TS 32	9821005000
Mounting rail TS 35	9822007000
Earthing rail	9810008000
External mounting brackets	9824024000
External articulated hinges	9801047000
Internal articulated hinges with cover guide**	9801031000
Silicone seal for extended temperature range (by the metre)	on request
Maximum possible number of threads	
ISO M	12 16 20 25 32 40 50 63
Side A/B	27 12 8 5 4 0 0 0
Side C/D	5 2 2 1 0 0 0 0

** Enclosure preparation required

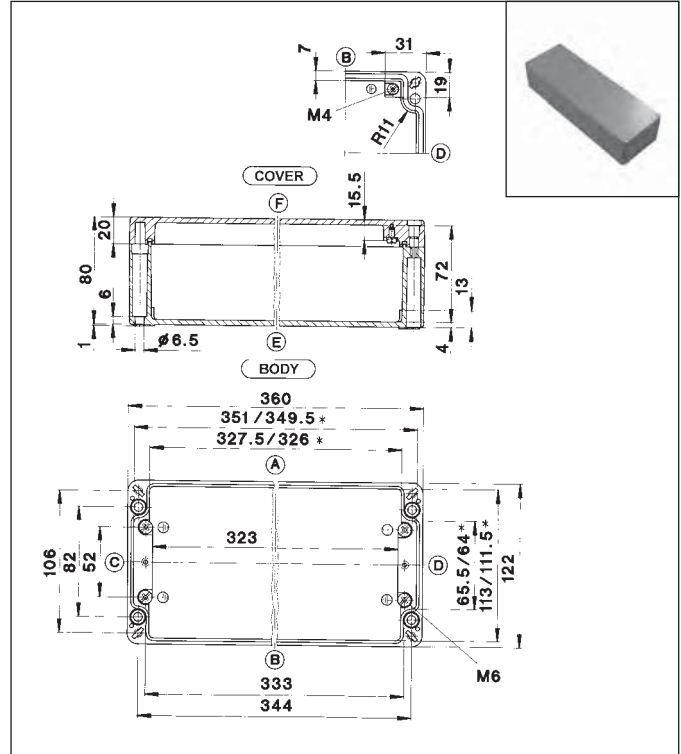
220 x 122 x 80 mm

CA-240
Aluminium enclosures



360 x 122 x 80 mm

CA-250
Aluminium enclosures



* Smaller dimension at mounting plate support

* Smaller dimension at mounting plate support

Type	CA-240
Weight (g)	1410
External dimension (mm)	220 x 122 x 80
Ordering data Enclosure (painted) with seal (CR) with cover screws	Part number 124000000
unwashed, not painted, loose accessories	1240082000
Accessories (individual part or installation kit)	
Mounting plate	9511009000
Mounting rail TS 15	-
Mounting rail TS 32	9821005000
Mounting rail TS 35	9822007000
Earthing rail	9810008000
External mounting brackets	9820024000
External articulated hinges	9801047000
Internal articulated hinges with cover guide**	9801031000
Silicone seal for extended temperature range (by the metre)	on request
Maximum possible number of threads	
ISO M	12 16 20 25 32 40 50 63
Side A/B	27 12 8 5 4 0 0 0
Side C/D	5 2 2 1 0 0 0 0

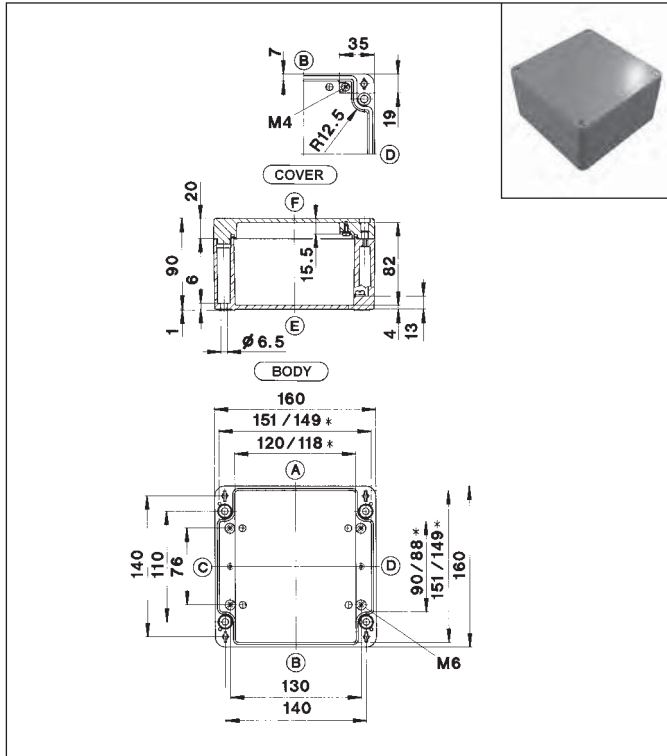
** Enclosure preparation required

Type	CA-250
Weight (g)	1860
External dimension (mm)	360 x 122 x 80
Ordering data Enclosure (painted) with seal (CR) with cover screws	Part number 125000000
unwashed, not painted, loose accessories	1250011000
Accessories (individual part or installation kit)	
Mounting plate	9511174000
Mounting rail TS 15	-
Mounting rail TS 32	9821012000
Mounting rail TS 35	9822015000
Earthing rail	9810014000
External mounting brackets	9824024000
External articulated hinges	9801047000
Internal articulated hinges with cover guide**	9801031000
Silicone seal for extended temperature range (by the metre)	on request
Maximum possible number of threads	
ISO M	12 16 20 25 32 40 50 63
Side A/B	48 21 16 9 6 0 0 0
Side C/D	5 2 2 1 0 0 0 0

** Enclosure preparation required

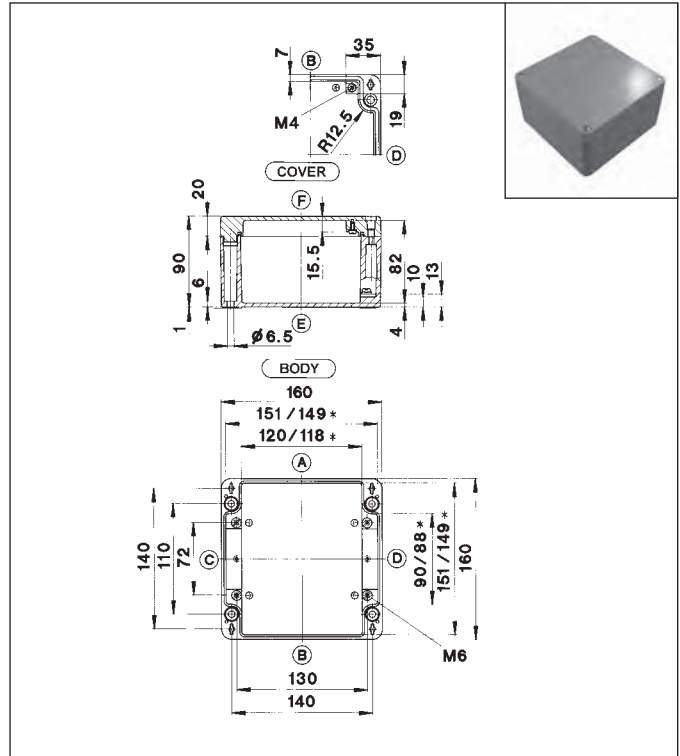
160 x 160 x 90 mm

CA-270
Aluminium enclosures



160 x 160 x 90 mm

CA-280
Aluminium enclosures



* Smaller dimension at mounting plate support

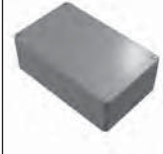
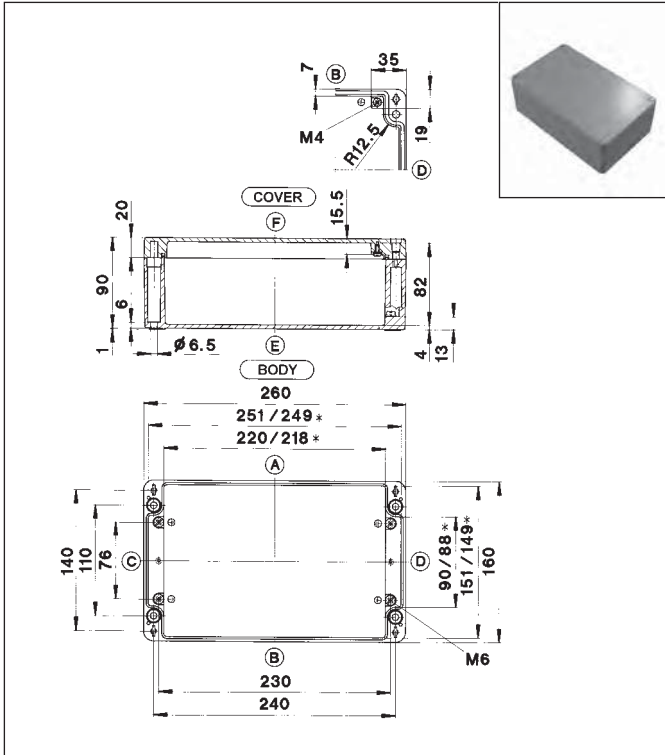
* Smaller dimension at mounting plate support

Type	CA-270
Weight (g)	1410
External dimension (mm)	160 x 160 x 90
Ordering data Enclosure (painted) with seal (CR) with cover screws unwashed, not painted, loose accessories	Part number 1270000000 1270013000
Accessories (individual part or installation kit)	
Mounting plate	9511149000
Mounting rail TS 15	-
Mounting rail TS 32	9821002000
Mounting rail TS 35	9822003000
Earthing rail	9810004000
External mounting brackets	9824024000
External articulated hinges	9801047000
Internal articulated hinges with cover guide**	9801030000
Silicone seal for extended temperature range (by the metre)	on request
Maximum possible number of threads	
ISO M	12 16 20 25 32 40 50 63
Side A/B	20 9 6 4 2 2 1 0
Side C/D	8 4 3 2 2 0 0 0
** Enclosure preparation required	

Type	CA-280
Weight (g)	1410
External dimension (mm)	160 x 160 x 90
Ordering data Enclosure (painted) with seal (CR) with cover screws unwashed, not painted, loose accessories	Part number 1280000000 1280033000
Accessories (individual part or installation kit)	
Mounting plate	9511011000
Mounting rail TS 15	-
Mounting rail TS 32	9821002000
Mounting rail TS 35	9822003000
Earthing rail	9810004000
External mounting brackets	9824024000
External articulated hinges	9801047000
Internal articulated hinges with cover guide**	9801030000
Silicone seal for extended temperature range (by the metre)	on request
Maximum possible number of threads	
ISO M	12 16 20 25 32 40 50 63
Side A/B	20 9 6 4 2 2 1 0
Side C/D	8 4 3 2 2 0 0 0
** Enclosure preparation required	

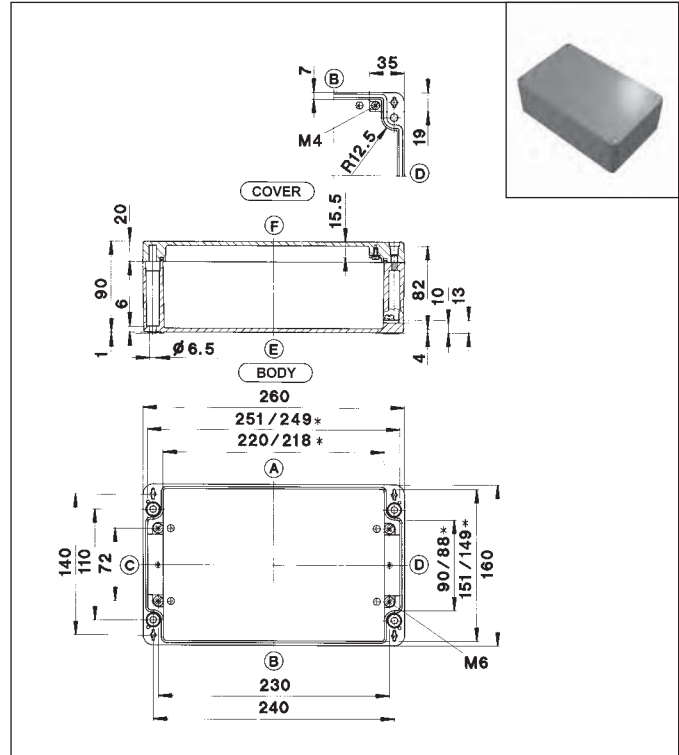
260 x 160 x 90 mm

CA-290
Aluminium enclosures



260 x 160 x 90 mm

CA-300
Aluminium enclosures



* Smaller dimension at mounting plate support

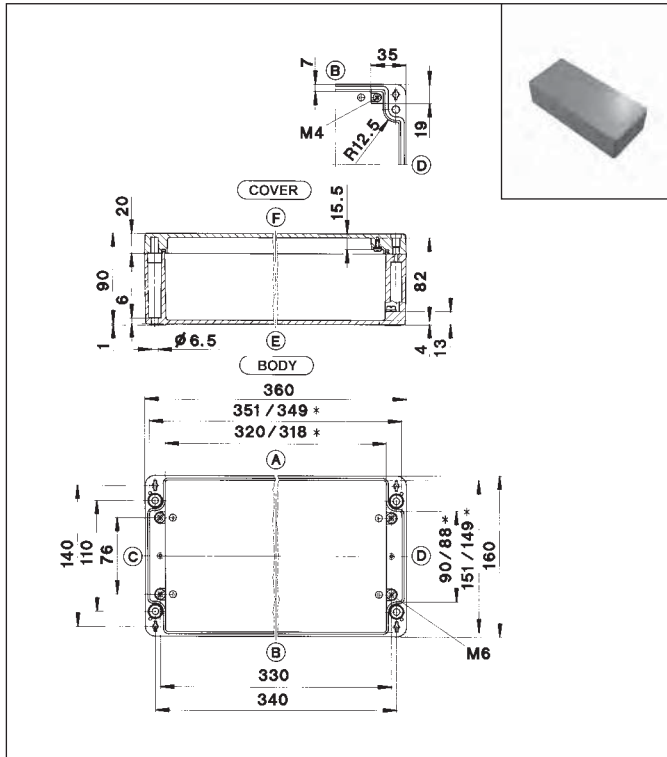
* Smaller dimension at mounting plate support

Type	CA-290
Weight (g)	1960
External dimension (mm)	260 x 160 x 90
Ordering data Enclosure (painted) with seal (CR) with cover screws unwashed, not painted, loose accessories	Part number 1290000000 1290011000
Accessories (individual part or installation kit)	
Mounting plate	9511096000
Mounting rail TS 15	-
Mounting rail TS 32	9821008000
Mounting rail TS 35	9822011000
Earthing rail	9810010000
External mounting brackets	9824024000
External articulated hinges	9801047000
Internal articulated hinges with cover guide**	9801030000
Silicone seal for extended temperature range (by the metre)	on request
Maximum possible number of threads	
ISO M	12 16 20 25 32 40 50 63
Side A/B	36 17 12 7 4 3 3 0
Side C/D	8 4 3 2 2 0 0 0
** Enclosure preparation required	

Type	CA-300
Weight (g)	1960
External dimension (mm)	260 x 160 x 90
Ordering data Enclosure (painted) with seal (CR) with cover screws unwashed, not painted, loose accessories	Part number 1300000000 1300041000
Accessories (individual part or installation kit)	
Mounting plate	9511012000
Mounting rail TS 15	-
Mounting rail TS 32	9821008000
Mounting rail TS 35	9822011000
Earthing rail	9810010000
External mounting brackets	9824024000
External articulated hinges	9801047000
Internal articulated hinges with cover guide**	9801030000
Silicone seal for extended temperature range (by the metre)	on request
Maximum possible number of threads	
ISO M	12 16 20 25 32 40 50 63
Side A/B	36 17 12 7 4 3 3 0
Side C/D	8 4 3 2 2 0 0 0
** Enclosure preparation required	

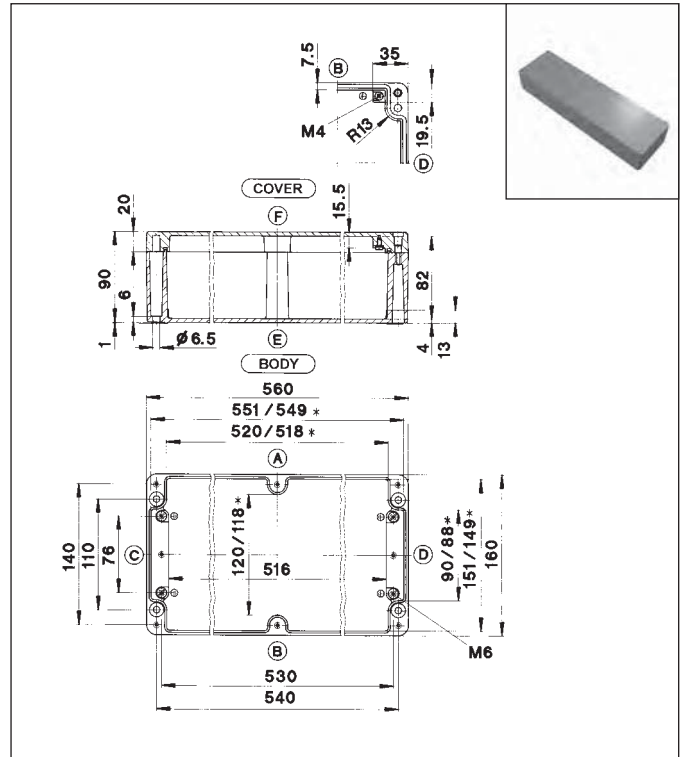
360 x 160 x 90 mm

CA-310
Aluminium enclosures



560 x 160 x 90 mm

CA-330
Aluminium enclosures



* Smaller dimension at mounting plate support

* Smaller dimension at mounting plate support

Type	CA-310
Weight (g)	2550
External dimension (mm)	360 x 160 x 90
Ordering data Enclosure (painted) with seal (CR) with cover screws unwashed, not painted, loose accessories	Part number 131000000 1310071000
Accessories (individual part or installation kit)	
Mounting plate	9511175000
Mounting rail TS 15	-
Mounting rail TS 32	9821012000
Mounting rail TS 35	9822015000
Earthing rail	9810042000
External mounting brackets	9824024000
External articulated hinges	9801047000
Internal articulated hinges with cover guide**	9801030000
Silicone seal for extended temperature range (by the metre)	on request
Maximum possible number of threads	
ISO M	12 16 20 25 32 40 50 63
Side A/B	54 26 18 11 6 5 4 0
Side C/D	8 4 3 2 2 0 0 0

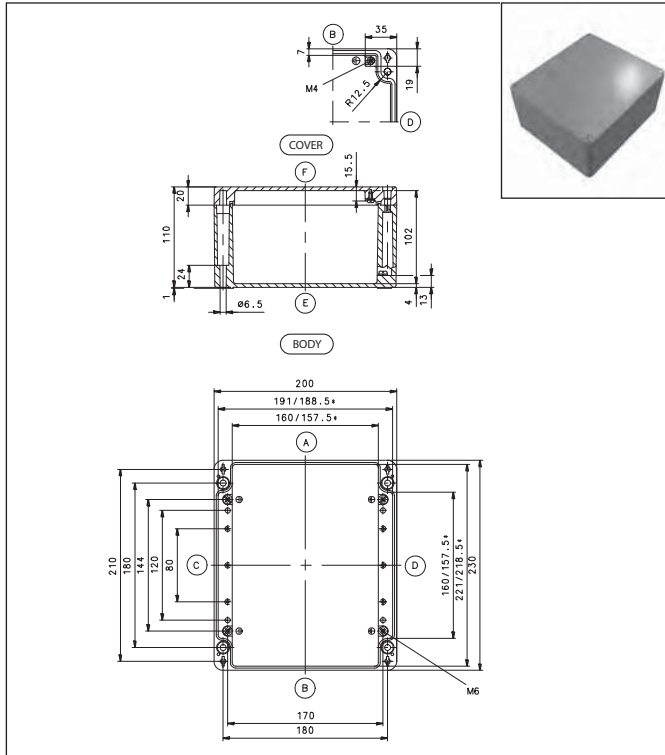
** Enclosure preparation required

Type	CA-330
Weight (g)	4310
External dimension (mm)	560 x 160 x 90
Ordering data Enclosure (painted) with seal (CR) with cover screws unwashed, not painted, loose accessories	Part number 133000000 1330022000
Accessories (individual part or installation kit)	
Mounting plate	9511014000
Mounting rail TS 15	-
Mounting rail TS 32	9821015000
Mounting rail TS 35	9822018000
Earthing rail	9810016000
External mounting brackets	9824024000
External articulated hinges	9801047000
Internal articulated hinges with cover guide**	9801030000
Silicone seal for extended temperature range (by the metre)	on request
Maximum possible number of threads	
ISO M	12 16 20 25 32 40 50 63
Side A/B	84 40 28 16 10 8 6 0
Side C/D	8 4 3 2 2 0 0 0

** Enclosure preparation required

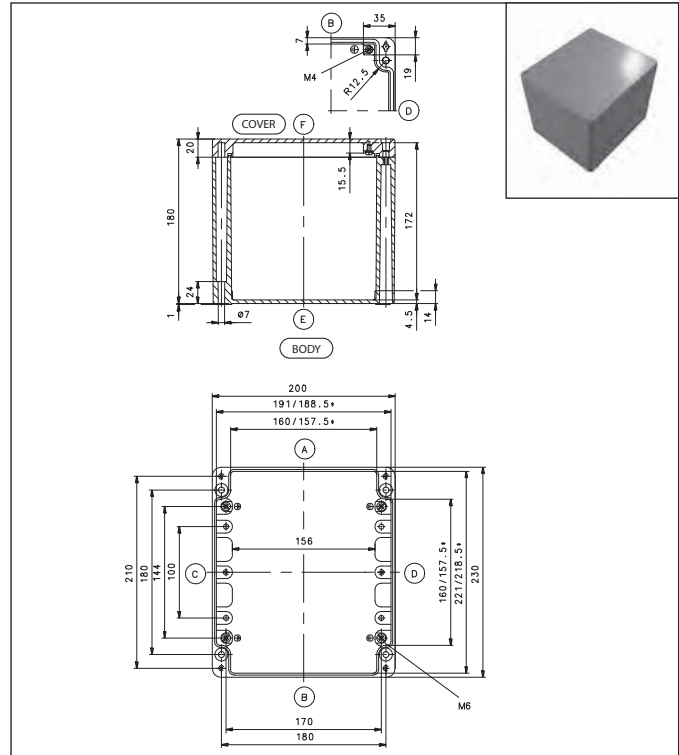
200 x 230 x 110 mm

CA-350 Aluminium enclosures



200 x 230 x 180 mm

CA-360 Aluminium enclosures



* Smaller dimension at mounting plate support

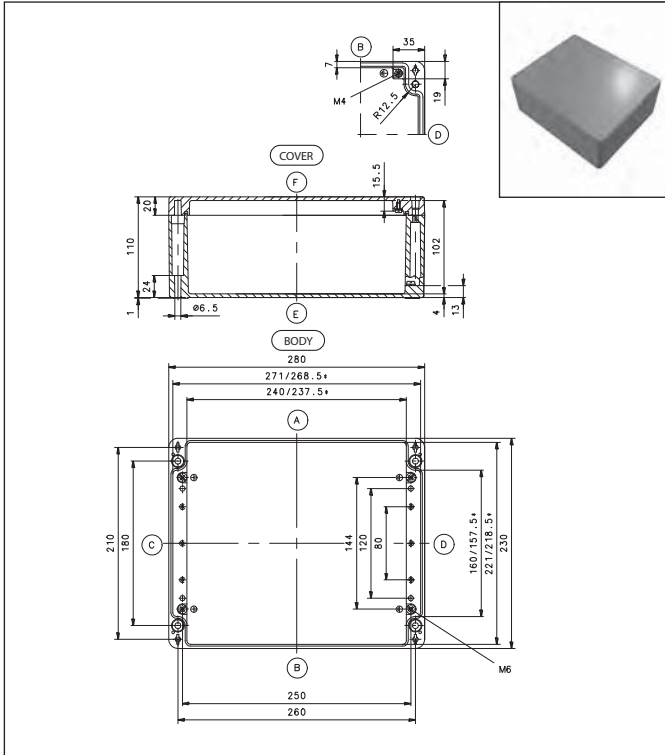
* Smaller dimension at mounting plate support

Type	CA-350
Weight (g)	2730
External dimension (mm)	200 x 230 x 110
Ordering data Enclosure (painted) with seal (CR)	Part number
with cover screws	135000000
unwashed, not painted, loose accessories	135001700
Accessories (individual part or installation kit)	
Mounting plate	9511015000
Mounting rail TS 15	-
Mounting rail TS 32	9821003000
Mounting rail TS 35	9822005000
Earthing rail	9810007000
External mounting brackets	9824023000
External articulated hinges	9801047000
Internal articulated hinges with cover guide**	9801030000
Silicone seal for extended temperature range (by the metre)	on request
Maximum possible number of threads	
ISO M	12 16 20 25 32 40 50 63
Side A/B	35 15 12 8 4 3 2 2
Side C/D	26 12 8 5 3 2 2 1
** Enclosure preparation required	

Type	CA-360
Weight (g)	3680
External dimension (mm)	200 x 230 x 180
Ordering data Enclosure (painted) with seal (CR)	Part number
with cover screws	136000000
unwashed, not painted, loose accessories	136004300
Accessories (individual part or installation kit)	
Mounting plate	9511015000
Mounting rail TS 15	-
Mounting rail TS 32	9821003000
Mounting rail TS 35	9822005000
Earthing rail	9810007000
External mounting brackets	9824023000
External articulated hinges	9801047000
Internal articulated hinges with cover guide**	9801030000
Silicone seal for extended temperature range (by the metre)	on request
Maximum possible number of threads	
ISO M	12 16 20 25 32 40 50 63
Side A/B	56 32 20 13 9 5 4 4
Side C/D	52 27 18 12 8 5 3 3
** Enclosure preparation required	

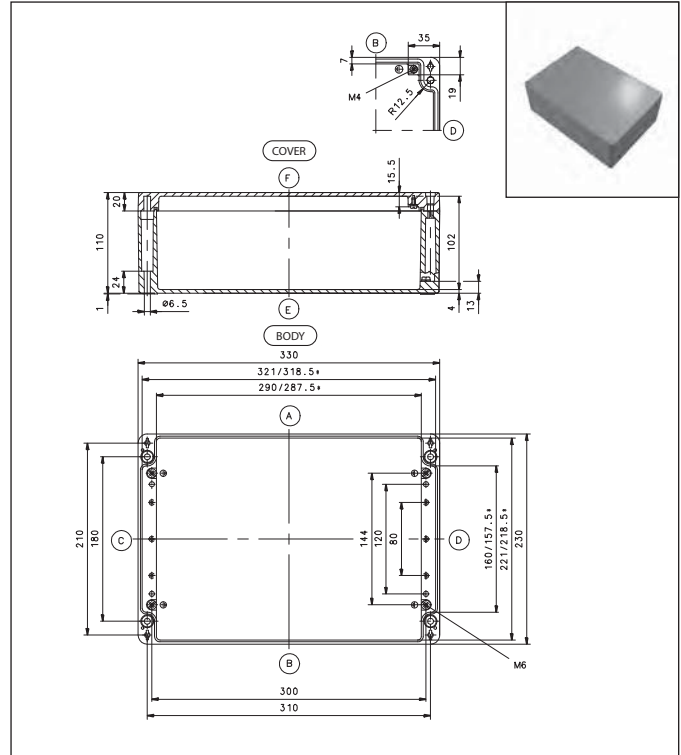
280 x 230 x 110 mm

CA-370 Aluminium enclosures



330 x 230 x 110 mm

CA-380 Aluminium enclosures



* Smaller dimension at mounting plate support

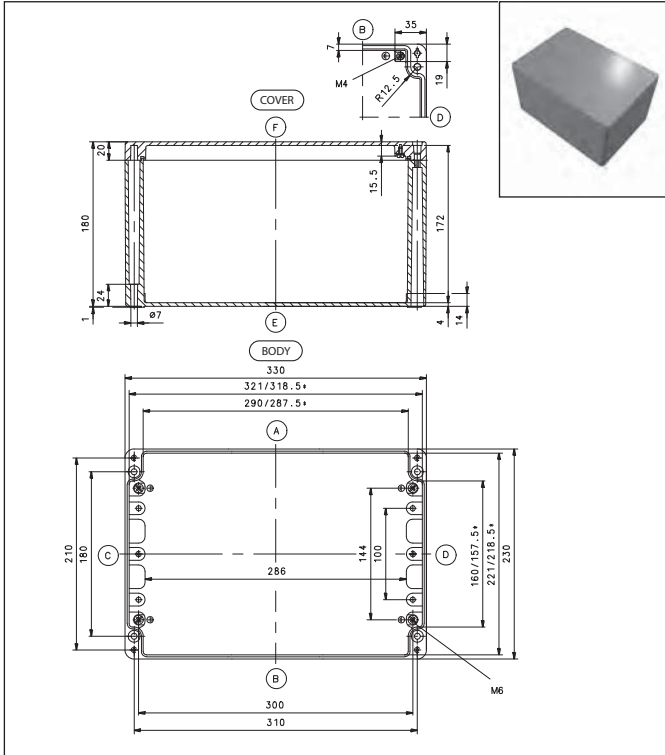
* Smaller dimension at mounting plate support

Type	CA-370
Weight (g)	3840
External dimension (mm)	280 x 230 x 110
Ordering data Enclosure (painted) with seal (CR)	Part number
with cover screws	1370000000
unwashed, not painted, loose accessories	1370015000
Accessories (individual part or installation kit)	
Mounting plate	9511016000
Mounting rail TS 15	-
Mounting rail TS 32	9821009000
Mounting rail TS 35	9822012000
Earthing rail	9810011000
External mounting brackets	9824023000
External articulated hinges	9801047000
Internal articulated hinges with cover guide**	9801030000
Silicone seal for extended temperature range (by the metre)	on request
Maximum possible number of threads	
ISO M	12 16 20 25 32 40 50 63
Side A/B	53 25 18 11 7 4 3 3
Side C/D	26 12 8 5 3 2 2 1
** Enclosure preparation required	

Type	CA-380
Weight (g)	4270
External dimension (mm)	330 x 230 x 110
Ordering data Enclosure (painted) with seal (CR)	Part number
with cover screws	1380000000
unwashed, not painted, loose accessories	1380014000
Accessories (individual part or installation kit)	
Mounting plate	9511017000
Mounting rail TS 15	-
Mounting rail TS 32	9821011000
Mounting rail TS 35	9822014000
Earthing rail	9810013000
External mounting brackets	9824023000
External articulated hinges	9801047000
Internal articulated hinges with cover guide**	9801030000
Silicone seal for extended temperature range (by the metre)	on request
Maximum possible number of threads	
ISO M	12 16 20 25 32 40 50 63
Side A/B	65 30 23 12 9 5 4 3
Side C/D	24 12 8 5 3 2 2 1
** Enclosure preparation required	

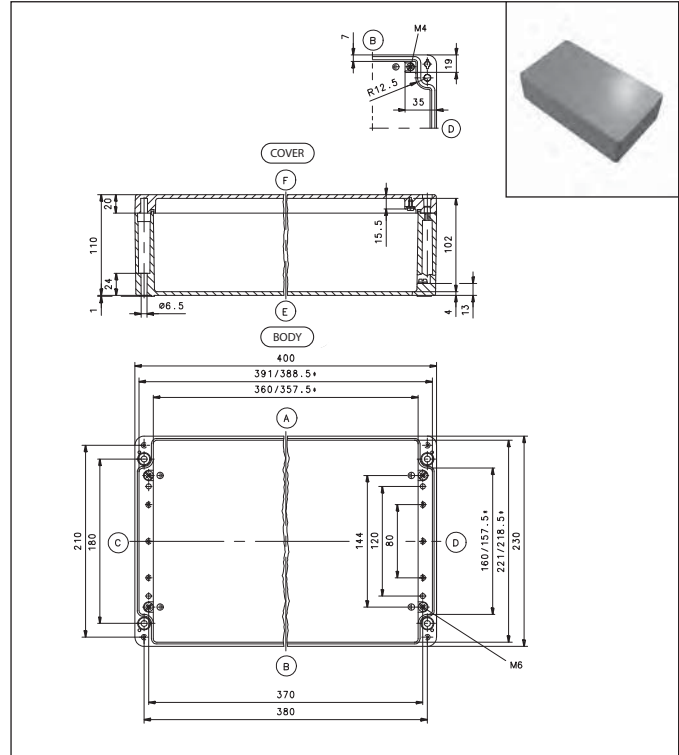
330 x 230 x 180 mm

CA-390 Aluminium enclosures



400 x 230 x 110 mm

CA-400 Aluminium enclosures



* Smaller dimension at mounting plate support

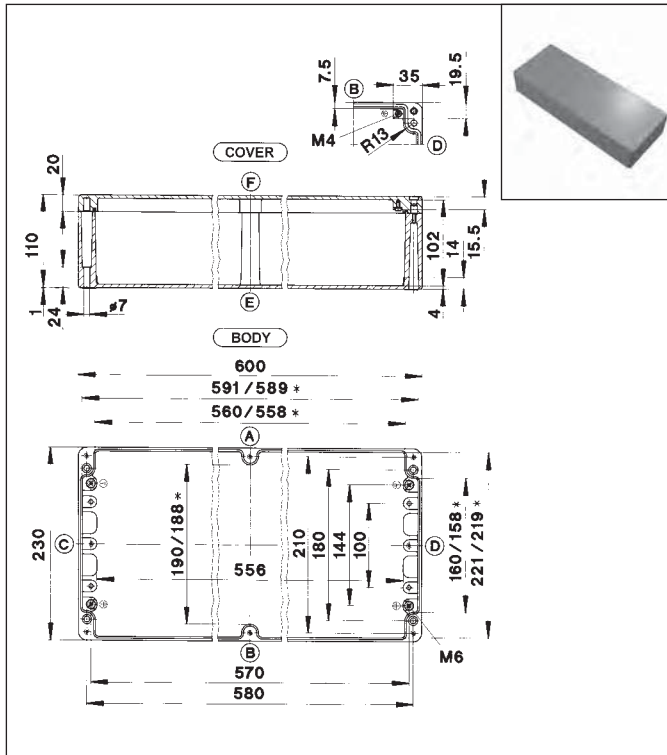
* Smaller dimension at mounting plate support

Type	CA-390
Weight (g)	5300
External dimension (mm)	330 x 230 x 180
Ordering data Enclosure (painted) with seal (CR) with cover screws	Part number 1390000000
unwashed, not painted, loose accessories	1390012000
Accessories (individual part or installation kit)	
Mounting plate	9511017000
Mounting rail TS 15	-
Mounting rail TS 32	9821011000
Mounting rail TS 35	9822014000
Earthing rail	9810013000
External mounting brackets	9824023000
External articulated hinges	9801047000
Internal articulated hinges with cover guide**	9801030000
Silicone seal for extended temperature range (by the metre)	on request
Maximum possible number of threads	
ISO M	12 16 20 25 32 40 50 63
Side A/B	108 54 40 25 15 9 8 6
Side C/D	52 27 18 12 8 5 3 3
** Enclosure preparation required	

Type	CA-400
Weight (g)	4870
External dimension (mm)	400 x 230 x 110
Ordering data Enclosure (painted) with seal (CR) with cover screws	Part number 1400000000
unwashed, not painted, loose accessories	1400013000
Accessories (individual part or installation kit)	
Mounting plate	9511294000
Mounting rail TS 15	-
Mounting rail TS 32	9821014000
Mounting rail TS 35	9822017000
Earthing rail	9810015000
External mounting brackets	9824023000
External articulated hinges	9801047000
Internal articulated hinges with cover guide**	9801030000
Silicone seal for extended temperature range (by the metre)	on request
Maximum possible number of threads	
ISO M	12 16 20 25 32 40 50 63
Side A/B	80 38 27 17 11 6 5 4
Side C/D	26 12 8 5 3 2 2 1
** Enclosure preparation required	

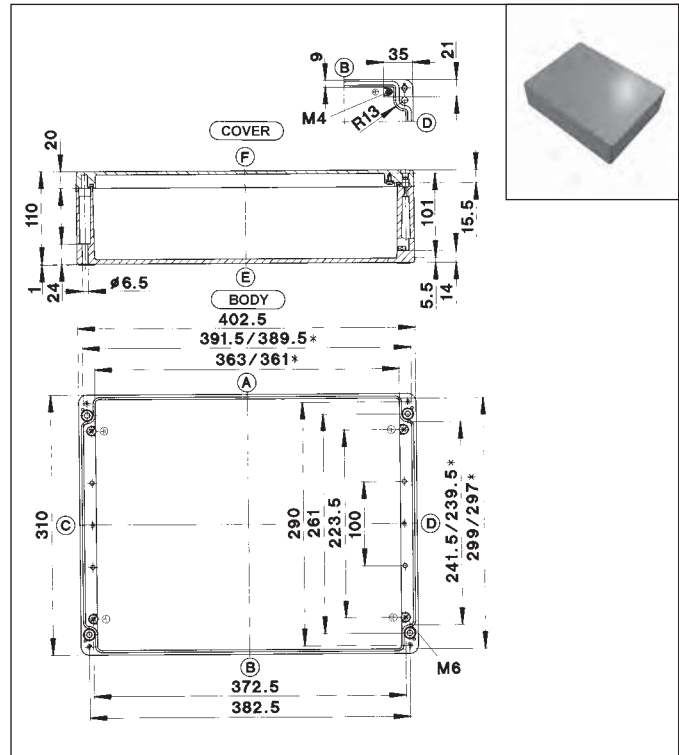
600 x 230 x 110 mm

CA-420 Aluminium enclosures



402,5 x 310 x 110 mm

CA-450 Aluminium enclosures



* Smaller dimension at mounting plate support

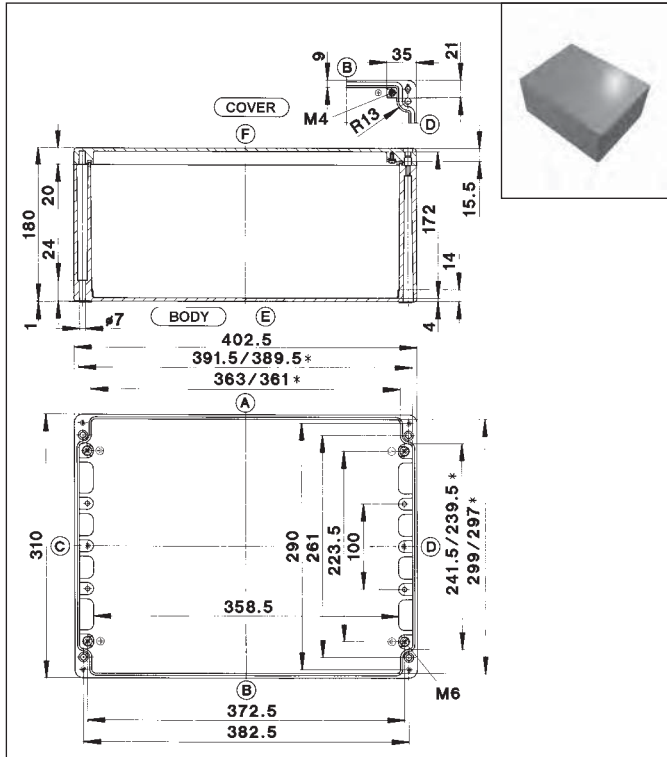
* Smaller dimension at mounting plate support

Type	CA-420
Weight (g)	6380
External dimension (mm)	600 x 230 x 110
Ordering data Enclosure (painted) with seal (CR) with cover screws	Part number 142000000
Unwashed, not painted, loose accessories	1420011000
Accessories (individual part or installation kit)	
Mounting plate	9511019000
Mounting rail TS 15	-
Mounting rail TS 32	9821016000
Mounting rail TS 35	9822019000
Earthing rail	9810017000
External mounting brackets	9824023000
External articulated hinges	9801047000
Internal articulated hinges with cover guide**	9801030000
Silicone seal for extended temperature range (by the metre)	on request
Maximum possible number of threads	
ISO M	12 16 20 25 32 40 50 63
Side A/B	120 56 42 24 16 8 8 6
Side C/D	28 13 8 5 3 2 2 1
** Enclosure preparation required	

Type	CA-450
Weight (g)	5810
External dimension (mm)	402,5 x 310 x 110
Ordering data Enclosure (painted) with seal (CR) with cover screws	Part number 145000000
Unwashed, not painted, loose accessories	1450025000
Accessories (individual part or installation kit)	
Mounting plate	9511020000
Mounting rail TS 15	-
Mounting rail TS 32	9821014000
Mounting rail TS 35	9822017000
Earthing rail	9810015000
External mounting brackets	9824023000
External articulated hinges	9801047000
Internal articulated hinges with cover guide**	9801030000
Silicone seal for extended temperature range (by the metre)	on request
Maximum possible number of threads	
ISO M	12 16 20 25 32 40 50 63
Side A/B	80 38 27 17 11 6 5 4
Side C/D	38 21 13 7 5 4 3 2
** Enclosure preparation required	

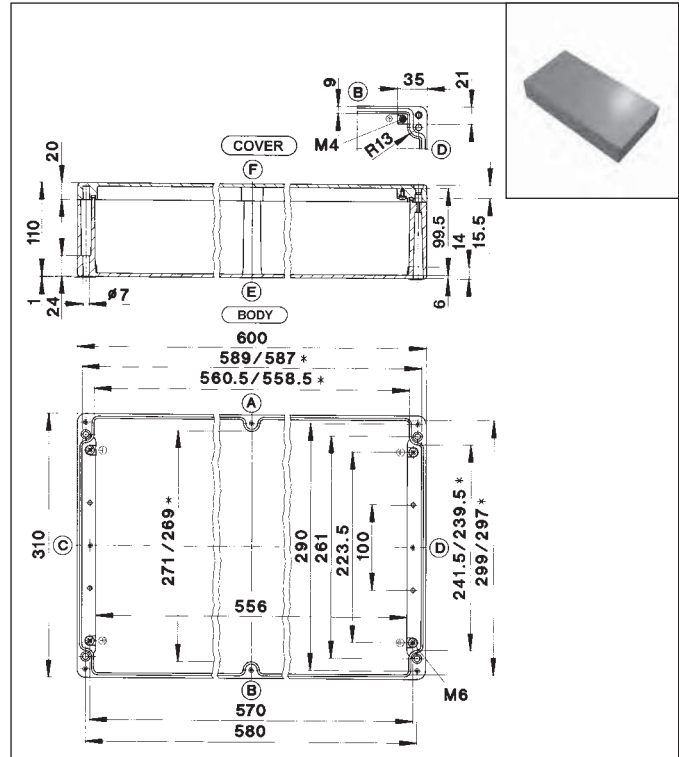
402,5 x 310 x 180 mm

CA-460
Aluminium enclosures



600 x 310 x 110 mm

CA-470
Aluminium enclosures



* Smaller dimension at mounting plate support

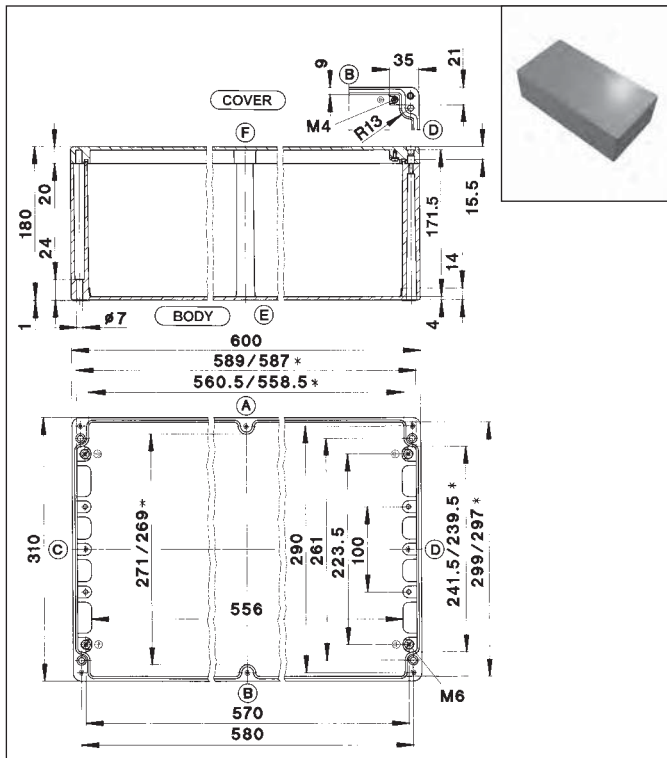
* Smaller dimension at mounting plate support

Type	CA-460
Weight (g)	7420
External dimension (mm)	402,5 x 310 x 180
Ordering data Enclosure (painted) with seal (CR)	Part number
with cover screws	1460000000
unwashed, not painted, loose accessories	1460049000
Accessories (individual part or installation kit)	
Mounting plate	9511020000
Mounting rail TS 15	-
Mounting rail TS 32	9821014000
Mounting rail TS 35	9822017000
Earthing rail	9810015000
External mounting brackets	9824023000
External articulated hinges	9801047000
Internal articulated hinges with cover guide**	9801030000
Silicone seal for extended temperature range (by the metre)	on request
Maximum possible number of threads	
ISO M	12 16 20 25 32 40 50 63
Side A/B	136 68 50 30 21 12 10 8
Side C/D	74 38 28 18 12 8 6 3
** Enclosure preparation required	

Type	CA-470
Weight (g)	8480
External dimension (mm)	600 x 310 x 110
Ordering data Enclosure (painted) with seal (CR)	Part number
with cover screws	1470000000
unwashed, not painted, loose accessories	1470062000
Accessories (individual part or installation kit)	
Mounting plate	9511021000
Mounting rail TS 15	-
Mounting rail TS 32	9821016000
Mounting rail TS 35	9822019000
Earthing rail	9810017000
External mounting brackets	9824023000
External articulated hinges	9801047000
Internal articulated hinges with cover guide**	9801030000
Silicone seal for extended temperature range (by the metre)	on request
Maximum possible number of threads	
ISO M	12 16 20 25 32 40 50 63
Side A/B	120 56 42 24 16 8 8 6
Side C/D	38 17 13 7 5 4 3 2
** Enclosure preparation required	

600 x 310 x 180 mm

CA-480
Aluminium enclosures



* Smaller dimension at mounting plate support

Type	CA-480
Weight (g)	10840
External dimension (mm)	600 x 310 x 180
Ordering data Enclosure (painted) with seal (CR)	Part number
with cover screws	1480000000
unwashed, not painted, loose accessories	1480017000
Accessories (individual part or installation kit)	
Mounting plate	9511021000
Mounting rail TS 15	-
Mounting rail TS 32	9821016000
Mounting rail TS 35	9822019000
Earthing rail	9810017000
External mounting brackets	9824023000
External articulated hinges	9801047000
Internal articulated hinges with cover guide**	9801030000
Silicone seal for extended temperature range (by the metre)	on request
Maximum possible number of threads	
ISO M	12 16 20 25 32 40 50 63
Side A/B	200 100 76 46 30 18 14 12
Side C/D	74 38 28 18 12 8 6 5
** Enclosure preparation required	