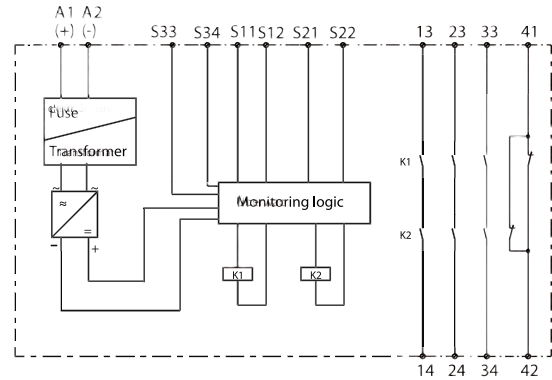


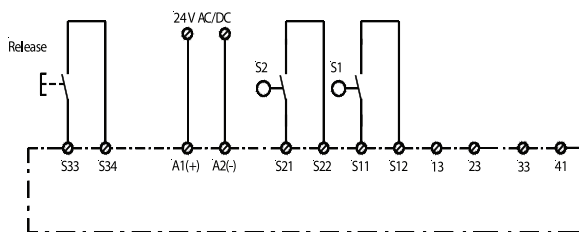
**SCR Series**



Whether it's safety switches or safety relays, BERNSTEIN has the complete range of products for your application. Our SCR safety relays are used to evaluate safety circuits, such as those generated by BERNSTEIN position switches, safety switches, safety latching devices, safety cable pull switches, safety sensors or two hand control modules.

With their compact standard mounting rail enclosure, BERNSTEIN SCR relays can be used in a wide variety of applications up to performance level PLE as defined by EN 13849. Conforming to this standard, the SCR relays monitor the correct position and reliable operation of safety sensors and or contacts in safety switches. This evaluation function is used to actuate power elements such as power contactors or frequency converters and stop machines in the case of emergency.

Two positive opening normally-closed contacts are required as the signaling contacts for safety monitoring circuits. Virtually all BERNSTEIN switches feature these contacts. They can be identified by the  $\ominus$  symbol.



Schematic representation of safety relay system

**The product range includes switching relays for evaluating:**

- Safety gate monitors with and without monitored start pushbutton
- Expansion module as auxiliary switching circuit for safety relays
- Two-hand controllers
- Auxiliary controller for safety light curtains/barriers



## SCR - Safety Relays

### Product selection

Article number	Designation	Enable current paths (NO contact)	Signaling contact (NC contact)	Signaling contact (NC contact)	Monitored start	Start automatic/pushbutton (manual)	Remarks
607.5111.009	SCR4-W22-3.5-D	e	3	1	No	Auto / pushbutton	-
607.5111.010	SCR4-W22-3.5-SD	e	3	1	Yes	Pushbutton	-
607.5111.012	SCR4-W22-4.6-DXT	e	4	0	-	-	Expansion module only used together with another SCR
607.5111.015	SCR2-W22-2.5	d	2	0	No	Auto / pushbutton	-
607.5111.016	SCR2-W22-2.5-S	d	2	0	No	Pushbutton	-
607.5111.018	SCR4-W22-2.6-D2H	e	2	1	-	-	SCT for two-hand controller
607.5111.020	SCR ON4-W22-3.6-S	e	3	0	Programmable	Pushbutton	Pushbutton SCR for safety light barrier

### Technical data

Electrical data	
Supply voltage	U <sub>e</sub> 24 V AC/DC (6075111020 24V DC)
Voltage range	0,90 ... 1,1 U <sub>e</sub>
Frequency	50 ... 60 Hz
Power intake	24 V DC: 3 W, 24 V AC: 5 V A
Performance data	
Conductor cross section	2 x 1.5 mm <sup>2</sup> / 4 x 1.5 mm <sup>2</sup>
Contact data	
Switching voltage	230 V AC, 24 V DC
Switching current	5 A
Max. switching power	1250 V A (ohmic load)
Mechanical service life	107 switching cycles
Environmental data	
Ambient temperature	-25 °C to +50 °C
Protection class, enclosure	IP40 DIN VDE 0470 Part 1
Protection class, terminals	IP20 DIN VDE 0470 Part 1
Mechanical data	
Enclosure material	Polyamide PA 6.6
Approvals	
TÜV	
UL	
C-UL	



**IMPORTANT: The actuator for the SLK must be ordered separately. You will find a corresponding overview at the end.**