

With and Without Latching Function



SEK



SEM2



SIEM2



SD



SID



SID



SIN

Because of their specifications and the safety standards for application (see Cable Safety Pull Switches SRM/SR), these cable pull switches are used generally as safety command devices; switching control signals instead of the power directly.

These switches are available with metal and plastic bodies. They are operated manually by the attached cable.

Thanks to their pretension, these switches, which feature a switching contact with overlap, execute a switching function when the cable is pulled or in the event of cable breakage.

Switches with tension monitor require per-tension to the cable for the normally closed contact to close.

The field of application for these cable pull switches includes

- Opening and closing of (overhead) doors
- Starting machines
- Issuing commands in production processes

The basic design of the standard cable pull switches is similar to that of position switches.

The specified cable length refers to the maximum length at minimum temperature variation. The maximum cable length may decrease under different environmental conditions.

Technical Data

Technical data		SEK	SIEK	SEM2	SiEM2
Electrical data					
Rated insulation voltage	U_i	400 V AC	400 V AC	400 V AC	400 V AC
Rated operating voltage	U_e	240 V	240 V	240 V	240 V
Conventional thermal current	I_{the}	10 A	10 A	10 A	10 A
Utilization category	U_e/I_e	AC-15, U_e/I_e 240 V / 3 A	AC-15, U_e/I_e 240 V / 3 A	AC-15, U_e/I_e 240 V / 3 A	AC-15, U_e/I_e 240 V / 3 A
Mechanical data					
Switching frequency max.		≤ 50/min.	max. 100/min.	max. 50/min.	max. 50/min.
Mechanical service life		1 x 10 ⁶ switching cycles	1 x 10 ⁶ switching cycles	1 x 10 ⁶ switching cycles	1 x 10 ⁶ switching cycles
B10d		on request	on request	on request	on request
Short-circuit protection		Fuse 10 A gL/gG	Fuse 10 A gL/gG	Fuse 10 A gL/gG	Fuse 10 A gL/gG
Protection class		II, Insulated	II, Insulated	I	I
Ambient temperature		-30°C to +80°C	-30°C to +80°C	-30°C to +80°C	-30°C to +80°C
Protection class		IP65 conforming to IEC/EN 60529	IP65 conforming to EN 60529	IP65 conforming to EN 60529	IP65 conforming to EN 60529; DIN VDE 0470 T1
Type of connection		4 Screw connections (M3, 5)	4 Screw connections (M3, 5)	4 Screw connections (M3, 5)	Screw connections
Conductor cross sections		Single-wire 0.5 - 1.5 mm ² or Stranded wire with ferrule 0.5 - 1.5 mm ²	Single-wire 0.5 - 1.5 mm ² or Stranded wire with ferrule 0.5 - 1.5 mm ²	Single-wire 0.5 - 1.5 mm ² or Stranded wire with ferrule 0.5 - 1.5 mm ²	Single-wire 0.5 - 1.5 mm ² or Stranded wire with ferrule 0.5 - 1.5 mm ²
Enclosure		Thermoplastic, glass fibre-reinforced	Thermoplastic, glass fibre-reinforced	Aluminum pressure die-casting	Aluminum pressure die-casting
Cable entry		1 x M20 x 1.5	1 x M20 x 1.5	1 x M20 x 1.5	1 x M20 x 1.5
Standards					
VDE 0660 T100, DIN EN 60947-1, IEC 60947-1 VDE 0660 T200, DIN EN 60947-5-1, IEC 60947-5-1					

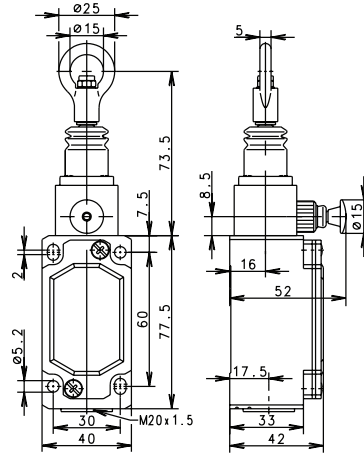
Technical data		SD	SiD	SIN
Electrical data				
Rated insulation voltage	U_i	400 V AC	400 V AC	400 V AC
Rated operating voltage	U_e	240 V	240 V	240 V
Conventional thermal current	I_{the}	16 A	16 A	10 A
Utilization category	U_e/I_e	AC-15, U_e/I_e 240 V / 3 A	AC-15, U_e/I_e 240 V / 3 A	AC-15, U_e/I_e 240 V / 3 A
Mechanical data				
Switching frequency max.		≤ 20/min.	max. 20/min.	≤ 20/min.
Mechanical service life		1 x 10 ⁶ switching cycles	1 x 10 ⁶ switching cycles	1 x 10 ⁶ switching cycles
B10d		on request	on request	on request
Short-circuit protection		Fuse 10 A gL/gG	Fuse 10 A gL/gG	Fuse 10 A gL/gG
Protection class		I	I	I
Ambient temperature		-30°C to +80°C	-30°C to +80°C	-30°C to +80°C
Protection class		IP65 conforming to EN 60529	IP65 conforming to EN 60529	IP65 conforming to EN 60529
Type of connection		Screw connections	Screw connections	Screw connections
Conductor cross sections		Single-wire 0.5 - 1.5 mm ² or Stranded wire with ferrule 0.5 - 1.5 mm ²	Single-wire 0.5 - 1.5 mm ² or Stranded wire with ferrule 0.5 - 1.5 mm ²	Single-wire 0.5 - 1.5 mm ² or Stranded wire with ferrule 0.5 - 1.5 mm ²
Enclosure		Aluminum pressure die-casting	Aluminum pressure die-casting	Aluminum pressure die-casting
Cable entry		2 x M20 x 1.5	2 x M20 x 1.5	2 x M20 x 1.5
Standards				
VDE 0660 T100, DIN EN 60947-1, IEC 60947-1 VDE 0660 T200, DIN EN 60947-5-1, IEC 60947-5-1				

SIEM and SID Latching with Reset Button

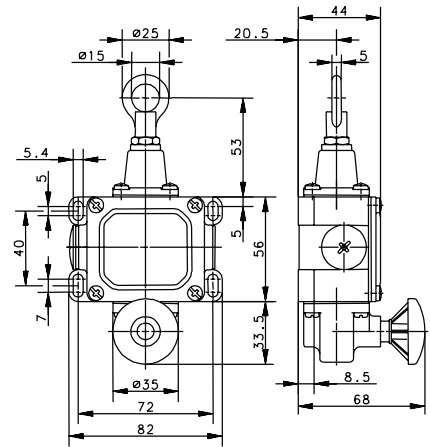


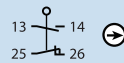
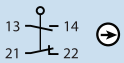
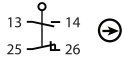
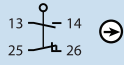
Pull Cable to change contact state, push button to reset

SIEM2 RAST





SID RAST



<p>Variant 1</p>	<p>Article No. Designation Max. span Type</p> <p>601.2831.023 SIEM2-UV1Z P-RAST 19.6 Ft. (6 Meters) Metal Body with Tension Monitor</p> 	<p>Article No. Designation Max. span Type</p> <p>601.1411.868 SD-U1 P-RAST 26.2 Ft. (8 Meters) Metal Body without Tension Monitor</p> 
<p>Variant 2</p>	<p>Article No. Designation Max. span Type</p> <p>611.1431.060 SID-UV1Z P-RAST 49.2 Ft. (15 Meters) Metal Body with Tension Monitor</p> 	<p>Article No. Designation Max. span Type</p> <p>601.1431.869 SID-UV1Z P-RAST 39.4 Ft. (12 Meters) Metal Body with Tension Monitor</p> 

Technical Information

Maximum Switching Voltage	240V	240V
Maximum Switching Amperage	10A	16A
B10d	On Request	On Request
Mechanical Service Life	1 x 10 ⁶	1 x 10 ⁶
Switching Frequency	≤ 50/min	≤ 20/min
Operating Temperature	-30 °C to +80 °C	-30 °C to +80 °C
Protection Rating	IP65	IP65
Utilization Category	AC-15, U _e / I _e 240 V / 3 A	AC-15, U / I _e 240 V / 3 A
Rate Insulation Voltage	400VAC	400VAC
Approvals		

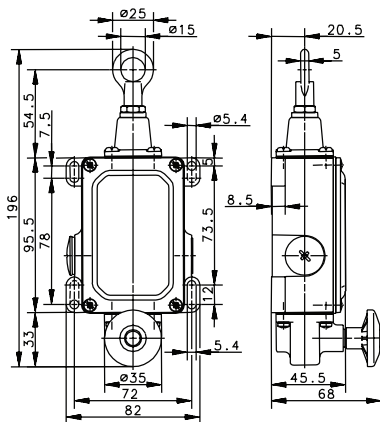
Drawing dimensions in mm

SID and SIN Latching with Reset Button

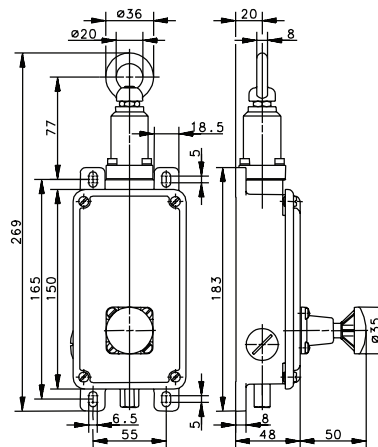


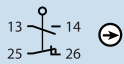
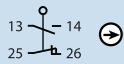
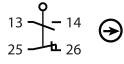
Pull Cable to change contact state, push button to reset

SID RAST





SIN RAST



<p>Variant 1</p>	<p>Article No. Designation Max. span Type</p> <p>611.2431.050 SID-UV1Z P-RAST 144.8 Ft. (35 Meters) Metal Body with Tension Monitor</p> 	<p>601.3531.367 SIN-UV1Z P-RAST 196.8 Ft. (60 Meters) Metal Body with Tension Monitor</p> 
<p>Variant 2</p>	<p>Article No. Designation Max. span Type</p> <p>601.2441.907 SID-UV2Z P-RAST 59 Ft. (18 Meters) Metal Body with Tension Monitor</p> 	
<p>Variant 3</p>		

Technical Information

Maximum Switching Voltage	240V	240V
Maximum Switching Amperage	16A	10A
B10d	On Request	On Request
Mechanical Service Life	1 x 10 ⁶	1 x 10 ⁶
Switching Frequency	≤ 20/min	≤ 20/min
Operating Temperature	-30 °C to +80 °C	-30 °C to +80 °C
Protection Rating	IP65	IP65
Utilization Category	AC-15, U _e /I _e 240 V / 3 A	AC-15, U _e /I _e 240 V / 3 A
Rate Insulation Voltage	400VAC	400VAC
Approvals		

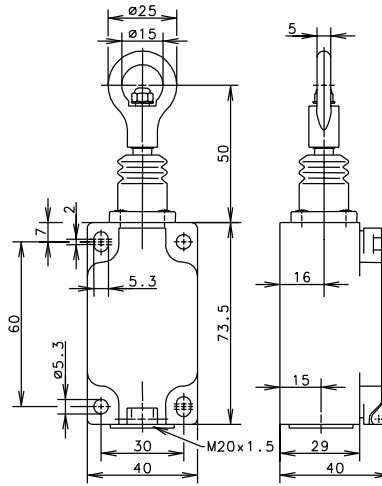
Drawing dimensions in mm

SEK, SIEK, SEM2 and SIEM2 Series

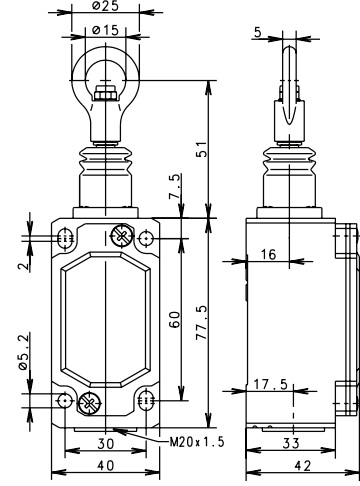


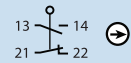

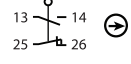
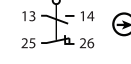
Pull Cable to change contact state, release cable to reset

SEK / SIEK





SEM / SIEM2



<p>Variant 1</p>	<p>Article No. Designation Max. span Type</p> <p>601.1811.133 SEK-U1Z 19.6 Ft. (6 Meters) Plastic Body without Tension Monitor</p> 	<p>601.2811.029 SEM2-U1Z 19.6 Ft. (6 Meters) Metal Body without Tension Monitor</p> 
<p>Variant 2</p>	<p>Article No. Designation Max. span Type</p> <p>601.1831.134 SIEK-UV1Z 13 Ft. (4 Meters) Plastic Body with Tension Monitor</p> 	<p>601.2831.022 SIEM2-UV1Z 19.6 Ft. (6 Meters) Metal Body with Tension Monitor</p> 
<p>Variant 3</p> <p>Article No. Designation Max. span Type</p>		

Technical Information

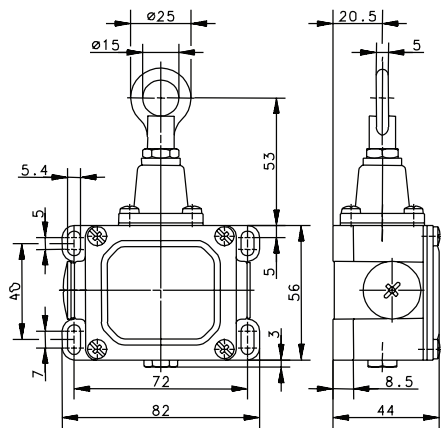
Maximum Switching Voltage	240V	240V
Maximum Switching Amperage	10A	16A
B10d	On Request	On Request
Mechanical Service Life	1 x 10 ⁶	1 x 10 ⁶
Switching Frequency	≤ 50/min	≤ 20/min
Operating Temperature	-30 °C to +80 °C	-30 °C to +80 °C
Protection Rating	IP65	IP65
Utilization Category	AC-15, U _e /I _e 240 V / 3 A	AC-15, U _e /I _e 240 V / 3 A
Rate Insulation Voltage	400VAC	400VAC
Approvals		

SD and SID Series

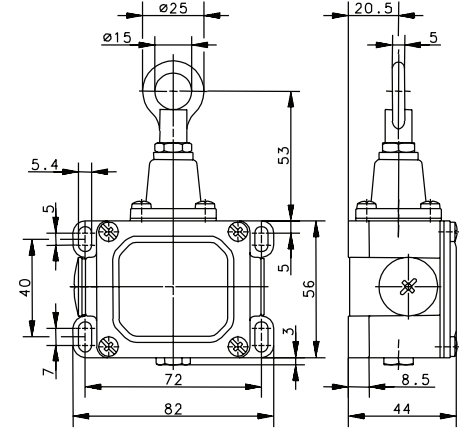


Pull Cable to change contact state, release cable to reset

SD



SID



Variant 1	Article No. Designation Max. span Type	601.1411.856 SD-U1 26.2 Ft. (8 Meters) Metal Body without Tension Monitor		601.1431.857 SID-UV1Z 13.1 Ft. (4 Meters) Metal Body with Tension Monitor	
Variant 2	Article No. Designation Max. span Type	611.1411.029 SD-U1 19.7 Ft. (6 Meters) Metal Body without Tension Monitor		611.1431.022 SID-UV1Z 26.2 Ft. (8 Meters) Metal Body with Tension Monitor	
Variant 3	Article No. Designation Max. span Type	611.1411.161 SD-U1 19.7 Ft. (6 Meters) Metal Body without Tension Monitor		611.1431.069 SID-UV1Z 39.4 Ft. (12 Meters) Metal Body with Tension Monitor	

Technical Information

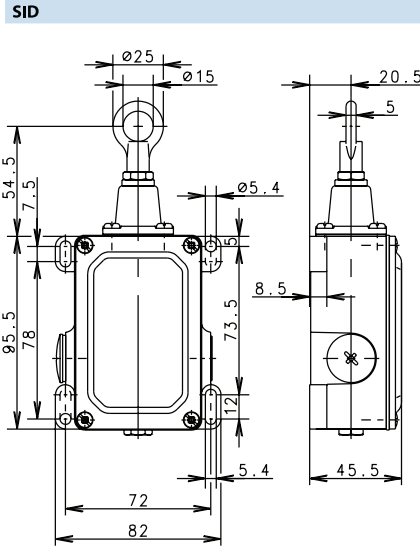
Maximum Switching Voltage	240V	240V
Maximum Switching Amperage	16A	16A
B10d	On Request	On Request
Mechanical Service Life	1 x 10 ⁶	1 x 10 ⁶
Switching Frequency	≤ 20/min	max. 20/min
Operating Temperature	-30 °C to +80 °C	-30 °C to +80 °C
Protection Rating	IP65	IP65
Utilization Category	AC-15, U _e /I _e 240 V / 3 A	AC-15, U _e /I _e 240 V / 3 A
Rate Insulation Voltage	400VAC	400VAC
Approvals		

Drawing dimensions in mm

SID Series



Pull Cable to change contact state, release cable to reset



<p>Variant 1</p>	<p>Article No. Designation Max. span Type</p> <p>601.2431.877 SID-UV1 26.2 Ft. (8 Meters) Metal Body with Tension Monitor</p> 
<p>Variant 2</p>	<p>Article No. Designation Max. span Type</p>
<p>Variant 3</p>	<p>Article No. Designation Max. span Type</p>

Technical Information

Maximum Switching Voltage	240V
Maximum Switching Amperage	16A
B10d	On Request
Mechanical Service Life	1 x 10 ⁶
Switching Frequency	≤ 50/min
Operating Temperature	-30 °C to +80 °C
Protection Rating	IP65
Utilization Category	AC-15, U _e /I _e 240 V / 3 A
Rate Insulation Voltage	400VAC
Approvals	