

SiRK, Si1 and Si2 Series



SiRK



Si2



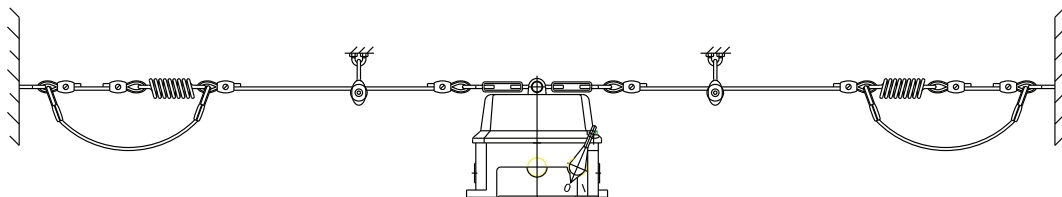
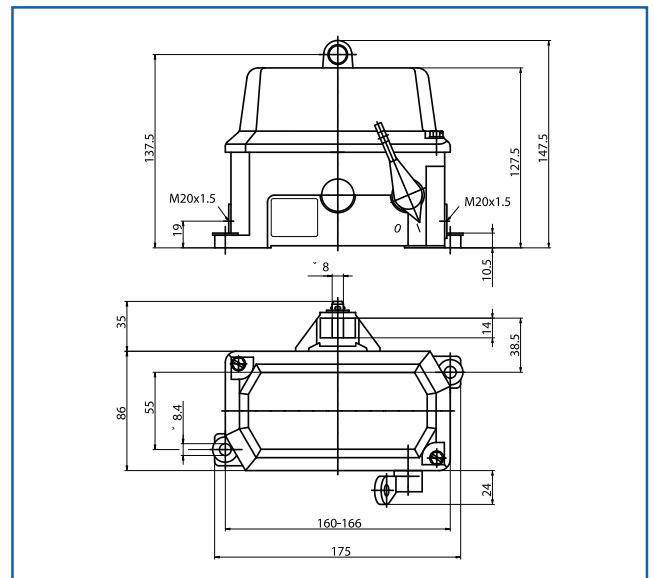
Si1

BERNSTEIN double-spanned cable pull switches (SiRK, Si1 and Si2) are also used in emergency stop applications. When the cable is pulled the switching lever is deflected in the corresponding direction and the system shut down.

The switches are available in two metal versions, the Si1 and Si2, as well as an insulation-enclosed version, the SiRK.

These types of cable pull switch are ideally suited for applications with high temperature fluctuations and long cable spans. With their sturdy enclosure, the Si1 and Si2 are the perfect switches for harsh environments.

Two cables spanned in opposite directions are attached to the switching device. The counter-springs are secured to the wall at the ends of the cables. Provided the change in temperature is the same at all points along the cable, the springs will effectively compensate for the change in cable length.



SiRK, Si1 and Si2

Product selection

Designation	Max. span length
SI1-U2Z AK R-RAST	2 x 50 m
SI1-U1Z/U1Z AK R-RAST	2 x 50 m
SI2-U2Z AK R-RAST	2 x 50 m
SiRK-U2Z R	2 x 75 m

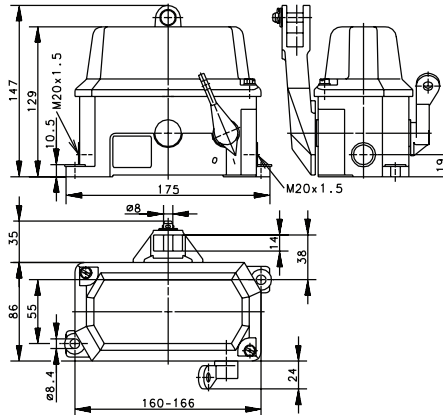
Technical data		SiRK	Si1	Si2
Electrical data				
Rated insulation voltage	U_i	250 V AC	250 V AC	400 V AC
Rated operating voltage	U_e	240 V	250 V	240 V
Conventional thermal current	I_{the}	10 A	10 A	10 A
Utilization category		AC 15, A 300 240 V / 3 A, 120 V / 6 A DC 13, Q300 250 V / 0.27 A, 125 V / 0.55 A	AC-15, U_e / I_e 240 V / 3 A	AC-15, U_e / I_e 240 V / 3 A
Positive opening action	p	as per IEC/EN 60947-5-1, Addendum K	as per IEC/EN 60947-5-1, Addendum K	as per IEC/EN 60947-5-1, Addendum K
Short-circuit protection		Fuse 6 A gL/gG	Fuse 6 A gL/gG	Fuse 10 A gL/gG
Protection class		II, Insulated	I	I
Mechanical data				
Enclosure		ABS	Aluminum sand casting	Cast iron
Cover		ABS	Aluminum sand casting	Cast iron
Actuation		Lever, plastic (glass fibre-reinforced)	Lever (GRP)	Lever (GRP)
Ambient temperature		-30°C to +80°C	-30°C to +80°C	-30°C to +80°C
Contact type		2 NC / 2 NO contact (Zb)	2 NC / 2 NO contact (Zb)	2 NC / 2 NO contact (Zb)
Mechanical service life (up to) ¹		1 x 10 ⁵ switching cycles	1 x 10 ⁶ switching cycles	1 x 10 ⁶ switching cycles
Switching frequency max.		Max. 30/min.	≤ 10 / min.	≤ 10 / min.
Mounting		2 x M8	4 x M8	4 x M8
B10d (up to) ¹		0,2 mill.	2 mill.	2 mill.
Type of connection		8 Screw connections (M3, 5)	8 Screw connections (M3, 5)	8 Screw connections (M3, 5)
Conductor cross sections		Single-wire 0.5 - 1.5 mm ² or Stranded wire with ferrule 0.5 - 1.5 mm ²	Single-wire 0.5 - 1.5 mm ² or Stranded wire with ferrule 0.5 - 1.5 mm ²	Single-wire 0.5 - 1.5 mm ² or Stranded wire with ferrule 0.5 - 1.5 mm ²
Cable entry		2 x M20 x 1.5	1 x M20 x 1.5	3 x M20 x 1.5
Weight		≈ 0.8 kg	≈ 1.62 kg	≈ 4.21 kg
Installation position		Any	Any	Any
Protection class		IP65 conforming to EN 60529	IP65 conforming to EN 60529	IP65 conforming to EN 60529
Standards				
VDE 0660 T100, DIN EN 60947-1, IEC 60947-1 VDE 0660 T200, DIN EN 60947-5-1, IEC 60947-5-1				

1 Depending on switching system.

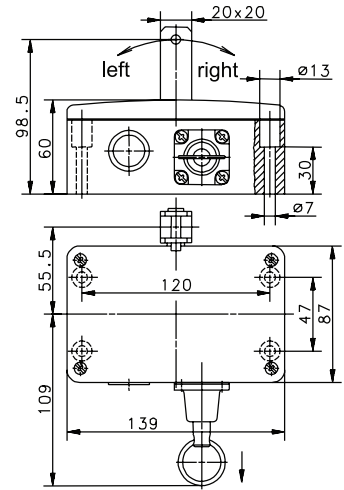
SiRK and Si1 Series



SiRK



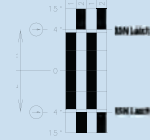
Si1



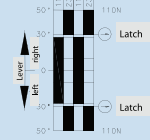
Variant 1

Article No.
Designation
Max. span

601.5625.001
SiRK-U2Z R
2 x 75 m



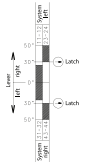
601.4735.001
Si1-U2Z AK R-RAST
2 x 50 m



Variant 2

Article No.
Designation
Max. span



601.4735.025
Si1-U1Z/U1Z AK R-RAST
2 x 50 m



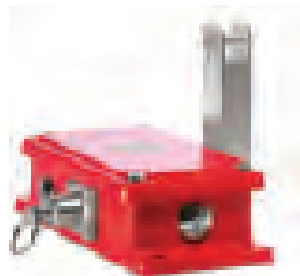
Variant 3

Article No.
Designation
Max. span

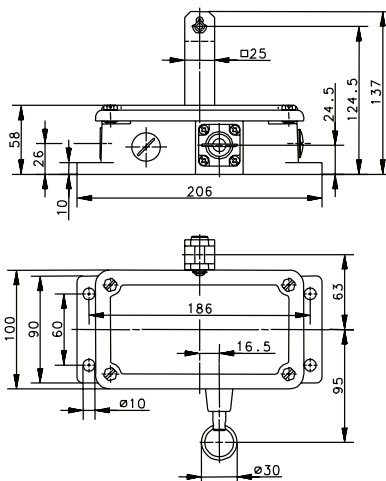
Technical Information

Maximum Switching Voltage	240V	240V
Maximum Switching Amperage	10A	10A
B10d	0.2 Million	2 Million
Mechanical Service Life	1 x 10 ⁵	1 x 10 ⁵
Switching Frequency	≤ 30/min	≤ 10/min
Operating Temperature	-30 °C to +80 °C	-30 °C to +80 °C
Protection Rating	IP65	IP65
Utilization Category	AC 15, A 300 240 V / 3 A, 120 V / 6 A DC 13, Q300 250 V / 0.27 A, 125 V / 0.55 A	AC-15, U / I _e 240 V / 3 A
Rate Insulation Voltage	250VAC	250VAC
Approvals		

SI2 Series



SIRK



Variant 1

Article No.
Designation
Max. span

601.5735.002
SI2-U2Z AK R-RAST
2 x 50 m

Variant 2

Article No.
Designation
Max. span

Variant 3

Article No.
Designation
Max. span

Technical Information

Maximum Switching Voltage	240V
Maximum Switching Amperage	10A
B10d	2 Million
Mechanical Service Life	1 x 10 ⁶
Switching Frequency	≤ 10/min
Operating Temperature	-30 °C to +80 °C
Protection Rating	IP65
Utilization Category	AC-15, 240 V/3 A
Rate Insulation Voltage	400VAC
Approvals	