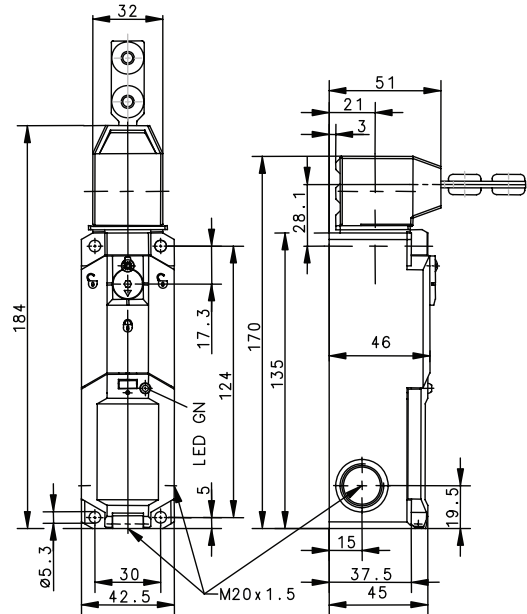


SLK Series - Plastic Body

Product advantages

- Two independent safety circuits ensure reliable integration
 - With two contacts, circuit 1 monitors the actuator
 - With two contacts, circuit 2 monitors the locking function

The contact configuration is variable and may deviate from the selection table if required.
- Two different operating voltages for universal integration::
 - 24 V AC / DC
 - 110 V / 230 V AC
- Rotary actuating head (4x 90°) as well as horizontal and vertical actuation ensure complete flexibility in use
- Compact design with short overall size of only 170 mm
- Innovative installation with spring-loaded terminals
- Function conforming to GS ET 19, EN 60 204-1, EN 60 947-1 and EN 60 947-5-1



The actuator is not included and must be ordered separately.

Safe operation

The stainless steel actuator ensures safe and reliable operation. Its keyed operation reduces tampering and bypassing the system. The radius actuator is ideal for monitoring smaller safety hinged gates. It can be preset horizontally or vertically and is also made from stainless steel.



Innovative installation

The SLK is electrically connected safely and reliably by means of spring loaded terminals. Connection wires can be terminated without the need for tools.

High Protection Rating

The SLK series has a Protection Rating of IP67, making it suitable for tough environments.

Multiple Cable Entry Knockouts

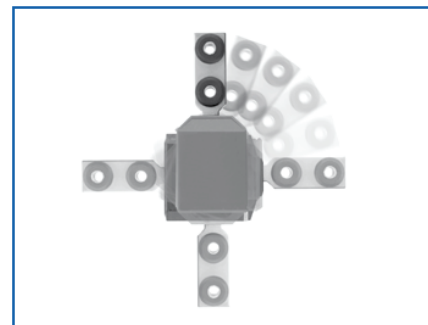
This series features three M20 cable entry knockouts, which facilitate single, series or branch wiring.

Vertical Housing

The vertically designed housing is ideal for use with extruded rail hard guarding.

Flexible in use

The SLK safety switch can be actuated in horizontal and vertical direction. Prior to installation it is preset by simply repositioning the head section. This flexibility in installation is achieved by positioning the actuator head in steps of 4 x 90°.



IMPORTANT: The actuator for the SLK must be ordered separately. You will find a corresponding overview at the end.

SLK Series

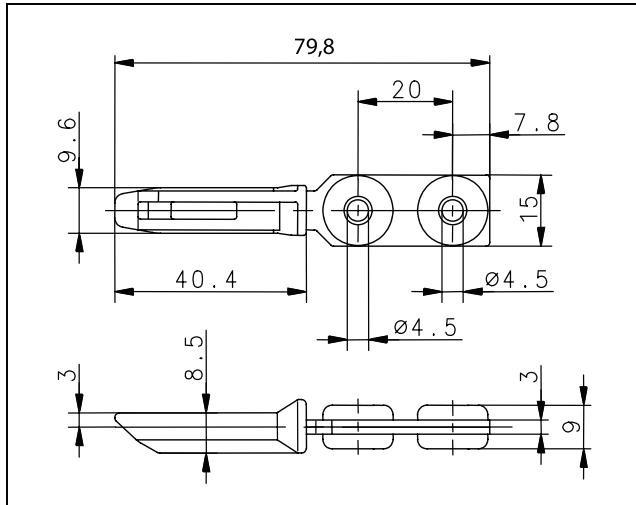
| Product selection | | | | | | |
|-------------------|------------------------|---------------------|-----------|-----------|-----------------|------------------------|
| Article number | Designation | Locking action | Contacts | | Supply voltage | Additional function |
| | | | Actuator | Interlock | | |
| 601.8119.045 | SLK-F-UC-55-R1-A0-L0-0 | Normally Locked* | 1NC / 1NO | 1NC / 1NO | 24 Volt AC / DC | Auxiliary release |
| 601.8119.066 | SLK-F-UC-55-R1-A0-L1-0 | Normally Locked* | 1NC / 1NO | 1NC / 1NO | 24 Volt AC / DC | Auxiliary release, LED |
| 601.8169.054 | SLK-F-UC-22-R1-A0-L0-0 | Normally Locked* | 2 NC | 2 NC | 24 Volt AC / DC | Auxiliary release |
| 601.8169.050 | SLK-F-UC-25-R1-A0-L0-0 | Normally Locked* | 2 NC | 1NC / 1NO | 24 Volt AC / DC | Auxiliary release |
| 601.8169.068 | SLK-F-UC-25-R1-A0-L1-0 | Normally Locked* | 2 NC | 1NC / 1NO | 24 Volt AC / DC | Auxiliary release, LED |
| 601.8119.061 | SLK-F-UC-55-R2-A0-L0-0 | Normally Locked* | 1NC / 1NO | 1NC / 1NO | 24 Volt AC / DC | Emergency release |
| 601.8169.055 | SLK-F-NC-22-R1-A0-L0-0 | Normally Locked* | 2 NC | 2 NC | 110 / 230 AC | Auxiliary release |
| 601.8119.046 | SLK-F-NC-55-R1-A0-L0-0 | Normally Locked* | 1NC / 1NO | 1NC / 1NO | 110 / 230 AC | Auxiliary release |
| 601.8119.067 | SLK-F-NC-55-R1-A0-L1-0 | Normally Locked* | 1NC / 1NO | 1NC / 1NO | 110 / 230 AC | Auxiliary release, LED |
| 601.8169.051 | SLK-F-NC-25-R1-A0-L0-0 | Normally Locked* | 2 NC | 1NC / 1NO | 110 / 230 AC | Auxiliary release |
| 601.8169.069 | SLK-F-NC-25-R1-A0-L1-0 | Normally Locked* | 2 NC | 1NC / 1NO | 110 / 230 AC | Auxiliary release, LED |
| 601.8119.047 | SLK-M-UC-55-R0-A0-L0-0 | Normally Unlocked** | 1NC / 1NO | 1NC / 1NO | 24 Volt AC / DC | |
| 601.8169.052 | SLK-M-UC-25-R0-A0-L0-0 | Normally Unlocked** | 2 NC | 1NC / 1NO | 24 Volt AC / DC | |
| 601.8169.056 | SLK-M-UC-22-R0-A0-L0-0 | Normally Unlocked** | 2 NC | 2 NC | 24 Volt AC / DC | |
| 601.8119.048 | SLK-M-NC-55-R0-A0-L0-0 | Normally Unlocked** | 1NC / 1NO | 1NC / 1NO | 110 / 230 AC | |
| 601.8169.053 | SLK-M-NC-25-R0-A0-L0-0 | Normally Unlocked** | 2 NC | 1NC / 1NO | 110 / 230 AC | |
| 601.8169.057 | SLK-M-NC-22-R0-A0-L0-0 | Normally Unlocked** | 2 NC | 2 NC | 110 / 230 AC | |

* Energize Solenoid to Unlock ** Energize Solenoid to Lock

| Technical data | Spring 24 Volt AC / DC | Spring 110 / 230 AC | Magnet 24 Volt AC / DC | Magnet 110 / 230 AC |
|----------------------------------------|-------------------------------------------------------------------------|-------------------------------------------------------------------------|-------------------------------------------------------------------------|-------------------------------------------------------------------------|
| Electrical data | | | | |
| Rated insulation voltage U_i | 250 V | 250 V | 250 V | 250 V |
| Utilization category | AC-15, U_e / I_e 230 V / 2.5 A | AC-15, U_e / I_e 230 V / 2.5 A | AC-15, U_e / I_e 230 V / 2.5 A | AC-15, U_e / I_e 230 V / 2.5 A |
| Conventional thermal current I_{the} | 5 A | 5 A | 5 A | 5 A |
| Short-circuit protection | 4 A gL | 4 A gL | 4 A gL | 4 A gL |
| Protection class | II, Insulated | II, Insulated | II, Insulated | II, Insulated |
| Electromagnet | | | | |
| Duty factor | 100 % ED (an E1; E2) | 100 % ED (an E1; E2) | 100 % ED (an E1; E2) | 100 % ED (an E1; E2) |
| Thermal class | F (155 °C) | F (155 °C) | F (155 °C) | F (155 °C) |
| Switch-on power | 12 VA (0.2 s) | 65 VA (0.1 s) | 12 VA (0.2 s) | 12 VA (0.2 s) |
| Continuous power | 4.4 VA | 8 VA | 4.4 VA | 4.4 VA |
| Mechanical data | | | | |
| Enclosure | Thermoplastic GV (UL94-V0) | Thermoplastic GV (UL94-V0) | Thermoplastic GV (UL94-V0) | Thermoplastic GV (UL94-V0) |
| Cover | Thermoplastic GV (UL94-V0) | Thermoplastic GV (UL94-V0) | Thermoplastic GV (UL94-V0) | Thermoplastic GV (UL94-V0) |
| Actuator | Thermoplastic GV / Zn-GD | Thermoplastic GV / Zn-GD | Thermoplastic GV / Zn-GD | Thermoplastic GV / Zn-GD |
| Ambient temperature | -25 °C to +70 °C | -25 °C to +70 °C | -25 °C to +70 °C | -25 °C to +70 °C |
| Switching function | 2 NC contacts, 2 NO contacts | 2 NC contacts, 2 NO contacts | 4 NC contacts | 2 NC contacts, 2 NO contacts |
| Switching principle | 4 Slow-action contacts | 4 Slow-action contacts | 4 Slow-action contacts | 4 Slow-action contacts |
| Mechanical service life | 1 x 10 ⁶ switching cycles (max. 600 switching cycles / h) | 1 x 10 ⁶ switching cycles (max. 600 switching cycles / h) | 1 x 10 ⁵ switching cycles (max. 600 switching cycles / h) | 1 x 10 ⁵ switching cycles (max. 600 switching cycles / h) |
| B10d | 2 mill. | 2 mill. | 2 mill. | 2 mill. |
| Minimum actuating radius R_{min} | See data sheet, actuator | See data sheet, actuator | See data sheet, actuator | See data sheet, actuator |
| Approach speed V_{max} | 0.5 m/s | 0.5 m/s | 0.5 m/s | 0.5 m/s |
| Mounting | 4 x M5 | 4 x M5 | 4 x M5 | 4 x M5 |
| Cross sections | 0.5 - 1.5 mm ² | 0.5 - 1.5 mm ² | 0.5 - 1.5 mm ² | 0.5 - 1.5 mm ² |
| Type of connection | Cage clamp terminal | Cage clamp terminal | Cage clamp terminal | Cage clamp terminal |
| Cable entry | 3 x M20 x 1.5 | 3 x M20 x 1.5 | 3 x M20 x 1.5 | 3 x M20 x 1.5 |
| Weight | ≈ 0.34 kg | ≈ 0.30 kg | ≈ 0.30 kg | ≈ 0.35 kg |
| Protection class | IP67 conforming to IEC/EN 60529 | IP67 conforming to IEC/EN 60529 | IP67 conforming to IEC/EN 60529 | IP67 conforming to IEC/EN 60529 |
| Installation position | Any | Any | Any | Any |
| Locking principle | Spring force | Spring force | Magnetic force | Magnetic force |
| Latching force FZh | ≤ 1500 N to GS-ET-19 | ≤ 1500 N to GS-ET-19 | ≤ 1500 N to GS-ET-19 | ≤ 1500 N to GS-ET-19 |

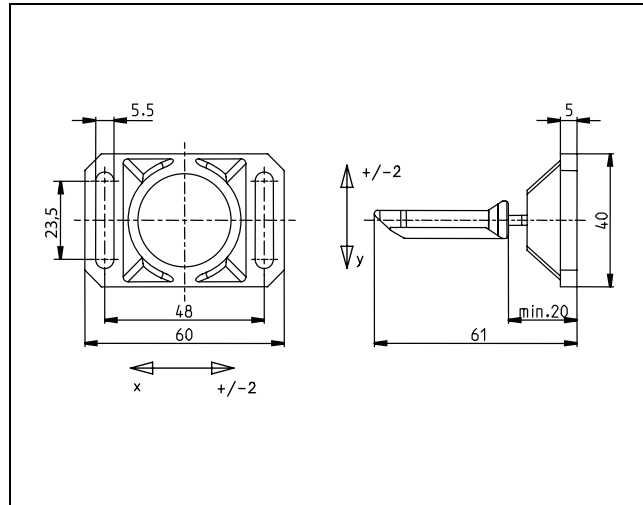
For Use With SLK, SLM, ENK-VTU, ENM2-VTW Switches

| Article number | Designation |
|----------------|-------------|
| 391.1702.228 | Actuator A1 |



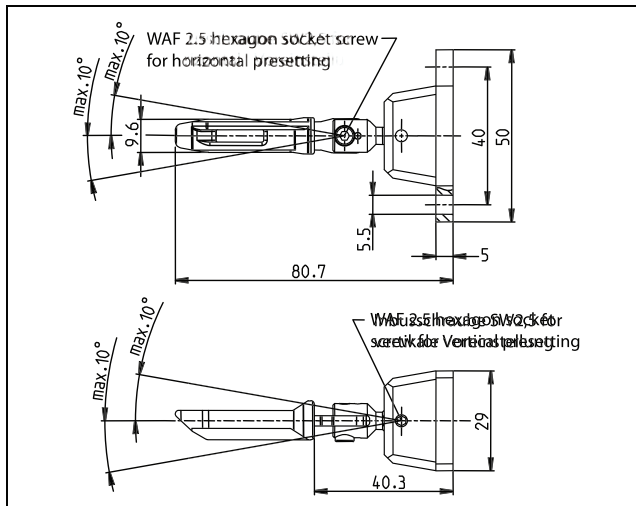
| Mechanical data | | |
|--------------------------|------------------|----------|
| Actuator | | Steel/PA |
| Minimum actuating radius | R _{min} | 400 mm |

| Article number | Designation |
|----------------|-------------|
| 391.1702.231 | Actuator A4 |



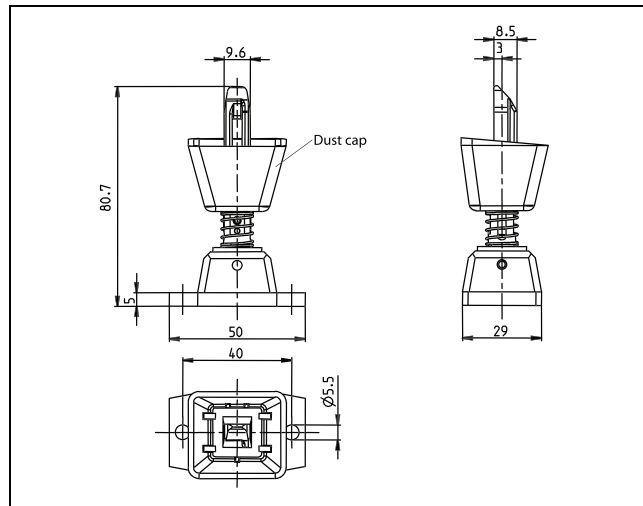
| Mechanical data | | |
|-----------------------------------------------------------------------|------------------|----------|
| Actuator | | Steel/PA |
| Enclosure | | GD-Zn |
| Minimum actuating radius | R _{min} | 350 mm |
| Repositioning of spring-mounted actuator by 4 x 90° in mounted state. | | |

| Article number | Designation |
|----------------|-------------|
| 391.1702.229 | Actuator A2 |



| Mechanical data | | |
|---------------------------------------------------------------------------|------------------|----------|
| Enclosure / Actuator | | Steel/PA |
| Minimum actuating radius | R _{min} | 150 mm |
| Repositioning of spring-mounted actuator by 4 x 90° in not mounted state. | | |
| WAF 2.5 Allen key, supplied | | |

| Article number | Designation |
|----------------|-------------|
| 391.1702.230 | Actuator A3 |



| Mechanical data | | |
|---------------------------------------------------------------------------|------------------|--------------|
| Enclosure / Actuator | | Steel/PA |
| Dust cap | | Elastomer CR |
| Minimum actuating radius | R _{min} | 400 mm |
| Repositioning of spring-mounted actuator by 4 x 90° in not mounted state. | | |