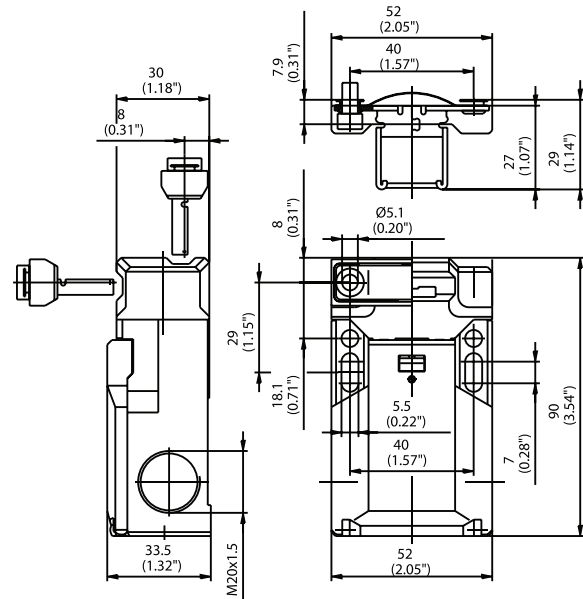


## SK Series - Plastic Body Industrial Format



The SK safety switch is based on a common industrial footprint. Offering design safety features conforming to VDE 0660 T200, EC 60947-5-1 and the test regulations GS-ET 15, the SK is well suited for personal protection applications. Its versatility

The SKC offers the same advantages as the SKC: An industrial standard size with emphasis on safety and personal protection, variable actuator head with two actuator openings.

Other advantages include:

- **Different actuating forces:**

To meet your application needs, in addition to the standard 2.2 lbs. (10N), actuating forces of 1.1 lbs. (5N), 4.5 lbs (20N), 6.7 lbs (30N) or 11.2 lbs. (50N) are also available.

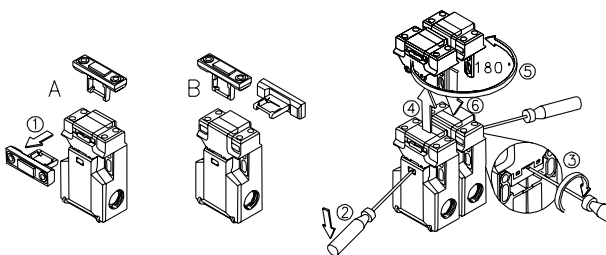
Actuating forces from 6.7 lbs. (30N) to 22.5 lbs. (100N) can be reached using an additional externally mounted bracket which as a spring loaded retaining system.

- **Anti-tamper facility:**

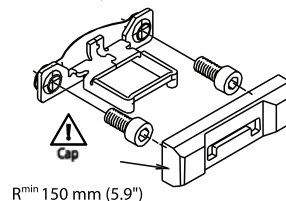
The actuation system requires a multiple stepped initiation process which cannot be reset if tampered with.

- **Outstanding handling:**

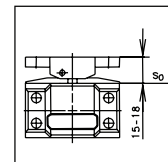
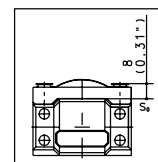
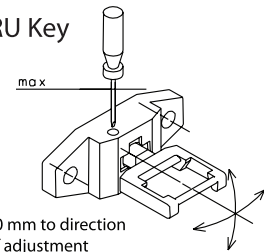
With the two slots you can easily adjust the SKC safety switch and lock it in position by means of the two holes accessible from the top or the two holes accessible from the front. The switch can be wired from three different sides. A transparent cover prevents foreign particles from entering the contact space while connecting the power supply cable.



### M4 Key



### MRU Key



### Technical data

#### Electrical data

Rated insulation voltage (up to) <sup>1</sup>	U <sub>i</sub> max.	400 V AC
Rated operating voltage	U <sub>e</sub> max.	240 V
Conventional thermal current (up to) <sup>1</sup>	I <sub>the</sub>	10 A
Utilization category	AC-15, U <sub>e</sub> / I <sub>e</sub> 240 V / 1.5 A	

#### Mechanical data

Switching frequency	≤ 30/min
Mechanical service life	1 x 10 <sup>6</sup> switching cycles
B10d (bis zu) <sup>1</sup>	2 Mill.
Short-circuit protection (up to) <sup>1</sup>	Fuse 10 A gL/gG
Protection class	II, Insulated
Ambient temperature	-30 °C ... +80 °C
Protection class	IP65 conforming to IEC/EN 60529
Type of connection	Screw connections
Conductor cross sections	Single-wire 0.5 - 1.5 mm <sup>2</sup> or Stranded wire with ferrule 0.5 - 1.5 mm <sup>2</sup>
Enclosure	Thermoplastic, glass fibre-reinforced (UL94-V0)
Cable entry	3 x M20 x 1.5

#### Standards

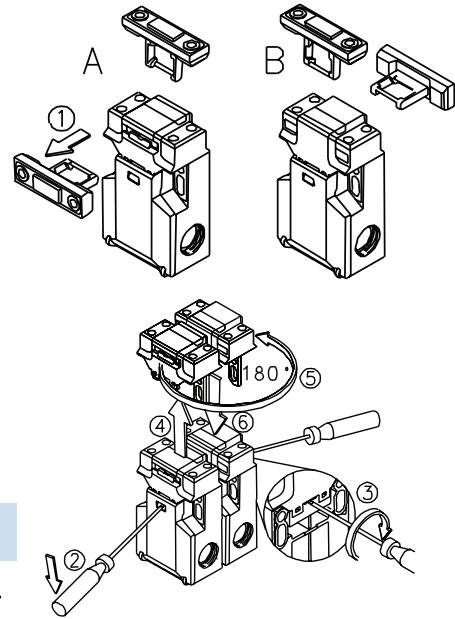
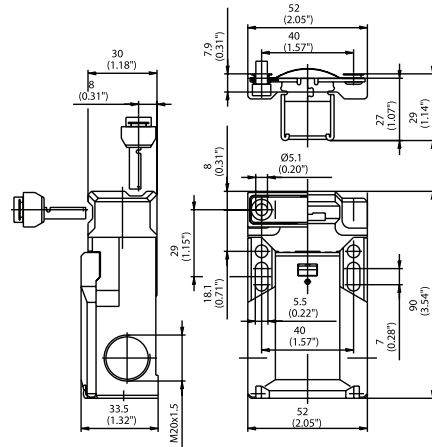
VDE 0660 T100, DIN EN 60947-1, IEC 60947-1  
VDE 0660 T200, DIN EN 60947-5-1, IEC 60947-5-1

<sup>1</sup> Depending on switching system - see technical information for details.

Drawing dimensions in mm

**SK Series**

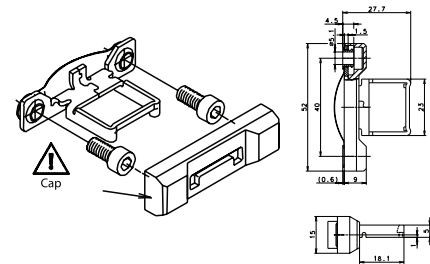
**SK**



Switching Operation	Slow Action	High Activation Force	Radius Activation
<b>1 NC / 1 NO Contacts</b>	<b>601.6119.016</b> SK-U1Z M 	<b>611.6119.109</b> SK-U1Z F30 M 	<b>601.6119.084</b> SK-U1Z MRU 
<b>1 NC Contacts</b>	-	-	-
<b>2 NC Contacts</b>	<b>601.6169.036</b> SK-A2Z M 	<b>601.6169.053</b> SK-A2Z F30 M 	<b>601.6169.085</b> SK-A2Z MRU 
<b>2 NC / 1 NO Contacts Overlapping</b>	<b>601.6169.026</b> SK-UV15Z M 	<b>601.6169.061</b> SK-UV15Z F30 M 	<b>601.6169.086</b> SK-UV15Z MRU 

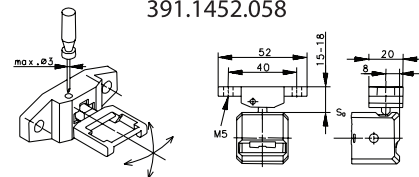
Replacement actuator keys:

M4 ACTUATOR KEY  
391.1452.161



6" Minimum Bend Radius

MRU ACTUATOR KEY  
391.1452.058



2" Minimum Bend Radius

**Technical Information**

	Slow Action	High Activation Force	Radius Activation
Maximum Switching Voltage	240V	240V	240V
Max. Switching Amps (up to)*	10A	10A	10A
B10d (up to)*	20 Million	20 Million	20 Million
Mechanical Service Life (up to)*	10 x 10 <sup>6</sup>	10 x 10 <sup>5</sup>	10 x 10 <sup>6</sup>
Switching Frequency	≤ 30/min	≤ 30/min	≤ 30/min
Operating Temperature	-30 °C to +80 °C	-30 °C to +80 °C	-30 °C to +80 °C
Protection Rating	IP65	IP65	IP65
Utilization Category (up to)*	AC-15, Ue/Ue 240V 3A	AC-15, Ue/Ue 240V 3A	AC-15, Ue/Ue 240V 3A
Rate Insulation Voltage	250VAC	250VAC	250VAC

\* Depending on switching system - see technical information for details



**Special features/variants** (on request)

- 100 N actuating force on request

Drawing dimensions in mm