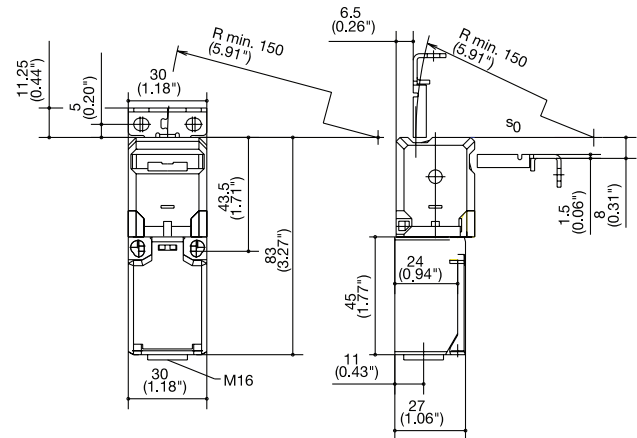


SKT Series - Small Plastic Body



Safety switches with separate actuators provide a fail safe switch function, indicating the position of guarding access points. For use on hard guarding gates, panels and doors. The switches are typically mounted on the fixed frame of the machine. The key mounts on the door. When the door is closed the key is inserted into the switch, closing the Normally Closed Safety contacts.

BERNSTEIN AG offers various versions of these Type 2 switches. The differences and advantages of the individual switch groups are outlined in the following.

The SKT is the smallest safety switch with separate actuator. It is particularly suited for applications that require an extremely slim and short switch design. Its rotary head, two actuator openings and various switching functions underscore its versatility in extremely confined spaces.

Added to this, the SKT features other options to meet many applications requirements.

- **Integrated eject function (FE):**

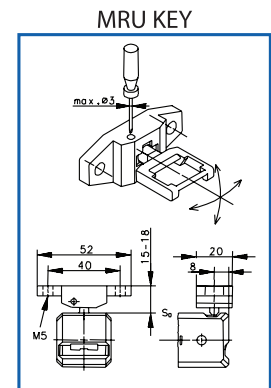
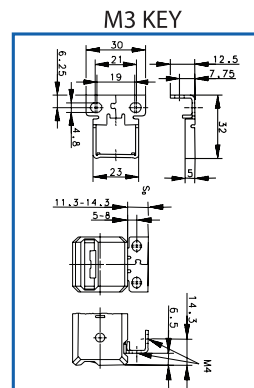
The actuator requires a holding force to maintain insertion into the switch and is ejected if the door is not locked securely. This prevents the machine from starting up if the door is not locked firmly into place.

- **Actuating force up to 11.2 lbs. (50 N):**

The standard actuating force is 2.2 lbs. (10 N). Depending on the switch, an actuating force of 11.2 lbs (50 N) can also be selected. In many applications, doors need to be tightly secured to prevent them being opened unintentionally. This is achieved by means of bolts, fasteners or other latching mechanisms. The SKI safety switch should be selected for applications that require increased actuating force.

- **Hinged Actuator (MRU):**

The MRU actuator is ideally suited for applications where the installation conditions severely restrict the actuating travel or radius. It has an adjustable actuating radius in the horizontal and vertical plane.



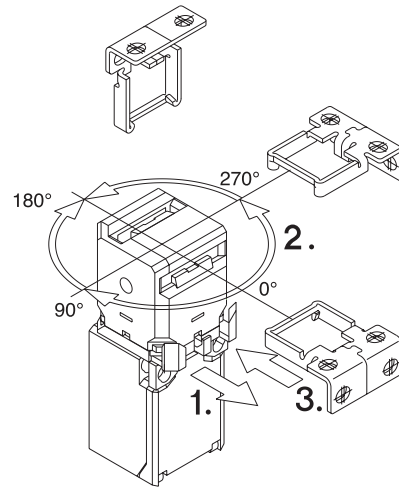
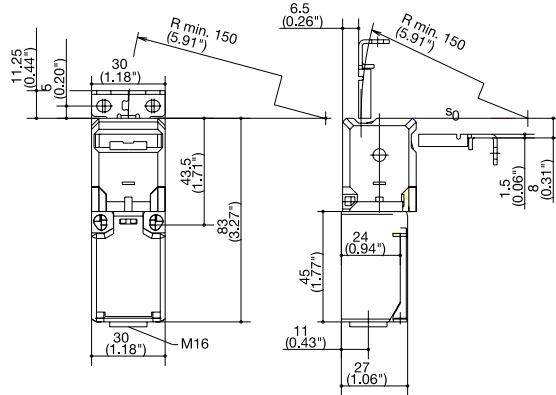
Technical data

Electrical data		
Rated insulation voltage	U_i max.	250 V
Rated operating voltage	U_e max.	240 V AC
Conventional thermal current	I_{the}	10 A
Utilization category		AC-15, U_e/I_e 240 V / 3 A; DC-13, U_e/I_e 250 V / 0.27 A
Mechanical data		
Switching frequency		≤ 30 /min
Mechanical service life Standard		1×10^6 switching cycles
Mechanical service life increased actuator holding force		1×10^5 switching cycles
B10d (up to) ¹		2 Mill.
Short-circuit protection		Fuse 6 A gL/gG
Protection class		II, Insulated
Ambient temperature		-30 °C to +80 °C
Protection class		IP65 conforming to IEC/EN 60529
Type of connection		Screw connections
Conductor cross sections		Single-wire 0.5 - 1.5 mm ² or Stranded wire with ferrule 0.5 - 1.5 mm ²
Enclosure		Thermoplastic, glass fibre-reinforced (UL94-V0)
Cable entry		M16 x 1.5
Standards		
VDE 0660 T100, DIN EN 60947-1, IEC 60947-1		
VDE 0660 T200, DIN EN 60947-5-1, IEC 60947-5-1		

¹ Depending on switching system - see technical information for details.

SKT Series

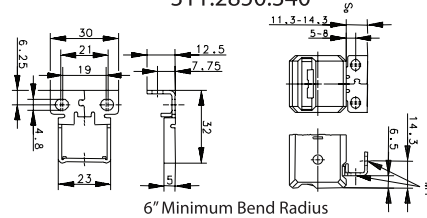
SKT



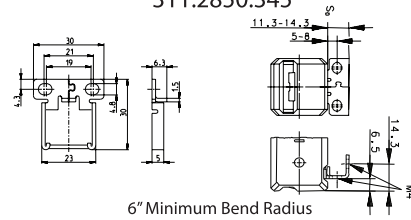
Switching Operation	Slow Action	Snap Action
1 NC / 1 NO Contacts	601.6419.059 SKT-U1Z M3	-
1 NC Contacts		-
2 NC Contacts	601.6469.066 SKT-A2Z M3	-
1 NC / 1 NO Contacts Overlapping		-

Replacement actuator keys:

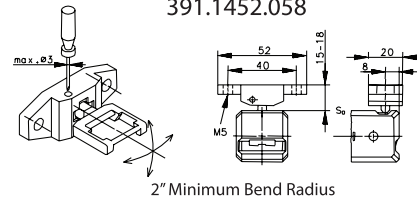
M3 ACTUATOR KEY
311.2850.340



M2 ACTUATOR KEY
311.2850.345



MRU ACTUATOR KEY
391.1452.058



Technical Information

	Slow Action	Snap Action
Maximum Switching Voltage	240V	240V
Max. Switching Amps (up to)*	10A	10A
B10d (up to)*	20 Million	20 Million
Mechanical Service Life (up to)*	10 x 10 ⁶	10 x 10 ⁶
Switching Frequency	≤ 30/min	≤ 30/min
Operating Temperature	-30 °C to +80 °C	-30 °C to +80 °C
Protection Rating	IP65	IP65
Utilization Category (up to)*	AC-15, Ue/Ue 240V 3A	AC-15, Ue/Ue 240V 3A
Rate Insulation Voltage	250VAC	250VAC

Approvals

* Depending on switching system - see technical information for details

