

UL98 Motor Disconnect Switch - Extended

- Every design is lockable in OFF position
- Switching mechanism speed is independent from the operator
- Silver contacts ensure safe and durable operation



4 Pole disconnect switch shown with optional 3 pole touch protector

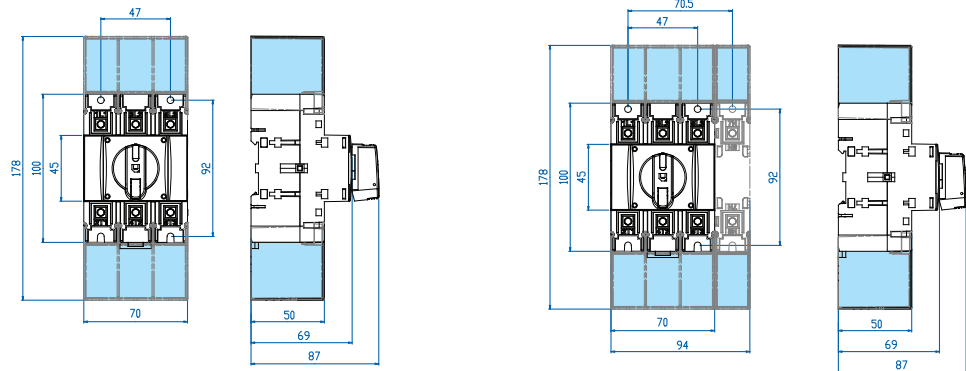


Catalog Number	KU360UL98		KU3100UL98		KU460UL98		KU4100UL98	
No. of Poles*	3		3		4		4	
General Purpose Current	60 A		100 A		60 A		100 A	
Maximum Voltage	600V AC		600V AC		600V AC		600V AC	
Horsepower Rating /HP	1 Phase	3 Phase	1 Phase	3 Phase	1 Phase	3 Phase	1 Phase	3 Phase
120V AC	3	—	5	—	3	—	5	—
240V AC	7½	20	10	25	7½	20	10	25
480V AC	—	40	—	50	—	40	—	50
600V AC	—	60	—	75	—	60	—	75
Short Circuit Withstand Rating at 600 V	50 kA/60 A Class J		50 kA/60 A Class J		50 kA/60 A Class J		50 kA/60 A Class J	
Terminal Size Acceptability (Cu Conductors only, 75°C)	8-1/0 AWG		8-1/0 AWG		8-1/0 AWG		8-1/0 AWG	

Dimensions

(to convert to inches multiply by 0.03937)

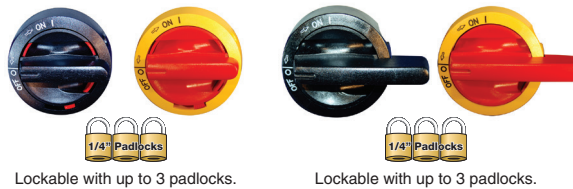
NOTE: Optional touch protectors shown in light blue.



Weight	0.45 kg	0.45 kg	0.59 kg	0.59 kg
---------------	---------	---------	---------	---------

Suitable Accessories

DOOR INTERLOCK HANDLES



Lockable with up to 3 padlocks.

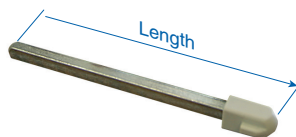
Lockable with up to 3 padlocks.

SIDE MOUNTED AUXILIARY SWITCHES

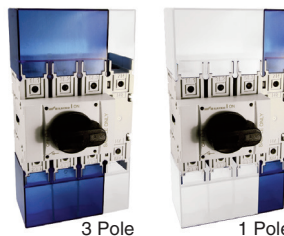


Cat. No.	LK10 UL	LK10 Y/R UL	LK11 U	LK11 Y/R U	Cat. No.	1.V160KU	2.V160KU
Environmental Rating UL (IEC)	UL Type 4X (IP66)		UL Type 4X (IP67)		No. of Contacts	1n.o./1n.c.	2n.o./2n.c.
Color	Black	Yellow/Red	Black	Yellow/Red	Electrical Rating	16 A/1/2HP/125-250V AC	

DOOR INTERLOCK SHAFT



Cat. No.	L100 AD11-ST	L200 AD11-ST	L300AD11-ST
Length (L)	100 mm	200 mm	300 mm
Material	Steel	Steel	Steel



BLUE TOUCH PROTECTOR

Cat. No.	LS/VS 160 3P	LS/VS N160
Poles	3	1

* 6 and 8 pole versions along with changeover version available upon request.

UL98 Motor Disconnect Switch - Polycarbonate Enclosure



- Can be used locally at the motor
- UL Type 4X
- IEC IP65 Protection Level
- UV resistant
- Resistant to many chemicals
- Lockable - Defeatable Handle



All Models are lockable with up to 3 padlocks.

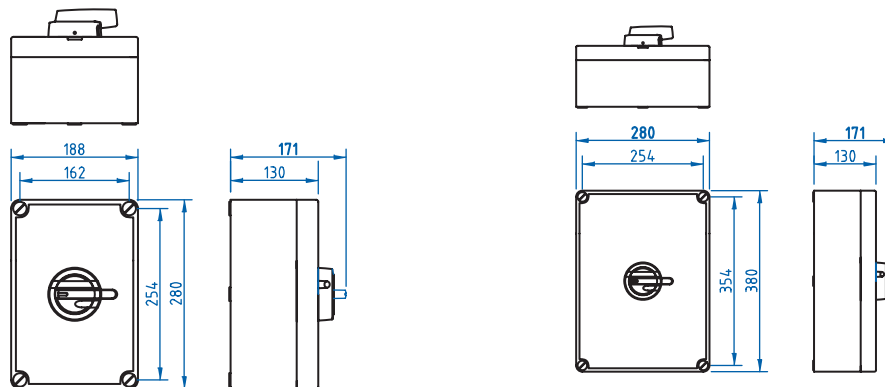
Catalog Number

	KEM360UL98 Y/R KEM360UL98		KEM460UL98 Y/R KEM460UL98		KEM3100UL98 Y/R KEM3100UL98		KEM4100UL98 Y/R KEM4100UL98	
- Yellow/Red Handle								
- Black Handle								
No. of Poles*	3		4		3		4	
General Purpose Current	60 A		60 A		100 A		100 A	
Maximum Voltage	600V AC		600V AC		600V AC		600V AC	
Horsepower Rating /HP	1 Phase	3 Phase	1 Phase	3 Phase	1 Phase	3 Phase	1 Phase	3 Phase
120V AC	3	—	3	—	5	—	5	—
240V AC	7.5	20	7.5	20	10	25	10	25
480V AC	—	40	—	40	—	50	—	50
600V AC	—	60	—	60	—	75	—	75
Short Circuit Withstand Rating at 600 V	50 kA/60 A Class J		50 kA/60 A Class J		50 kA/100 A Class J		50 kA/100 A Class J	

Terminal Size Acceptability (Cu Conductors only, 75°C)	8-1/0 AWG	8-1/0 AWG	8-1/0 AWG	8-1/0 AWG
--	-----------	-----------	-----------	-----------

Dimensions & Size	MF10	MF10	MF11UL	MF11UL
------------------------------	------	------	--------	--------

(to convert to inches multiply by 0.03937)



Weight	2.4 kg	3.3 kg	2.5 kg	3.4 kg
---------------	--------	--------	--------	--------

Suitable Accessories

AUXILIARY SWITCHES



Cat. No.	1.V160KU	2.V160KU
No. of Contacts	1n.o./1n.c.	2n.o./2n.c.
Electrical Rating	16 A/1/2HP/125-250V AC	

* 6 and 8 pole versions along with changeover version available upon request.

UL98 Motor Disconnect Switch - Sheet Metal Enclosure



- Can be used locally at the motor
- UL Type 4
- Excellent in harsh weather conditions
- Resistant to many chemicals
- Corrosion and UV resistant
- IEC IP65 Protection Level
- Lockable - Defeatable Handle



All Models are lockable with up to 3 padlocks.

Catalog Number

- Yellow/Red Handle
- Black Handle

KET360UL98 Y/R
KET360UL98

KET460UL98 Y/R
KET460UL98

KET3100UL98 Y/R
KET3100UL98

KET4100UL98 Y/R
KET4100UL98

No. of Poles*	3	4	3	4
General Purpose Current	60 A	60 A	100 A	100 A
Maximum Voltage	600V AC	600V AC	600V AC	600V AC

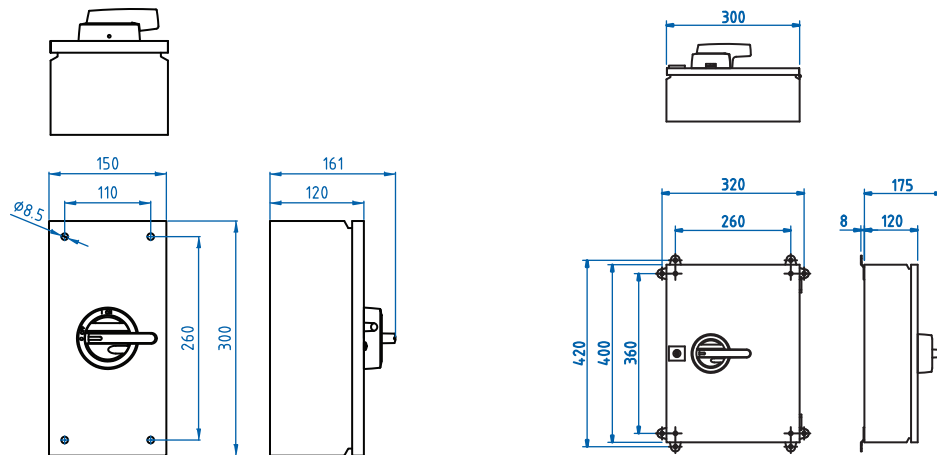
Horsepower Rating /HP	1 Phase		3 Phase		1 Phase		3 Phase		1 Phase		3 Phase	
	120V AC	3	—	3	—	5	—	5	—	5	—	—
240V AC	7.5	20	7.5	20	10	25	10	25	10	25	25	
480V AC	—	40	—	40	—	50	—	50	—	50	50	
600V AC	—	60	—	60	—	75	—	75	—	75	75	

Short Circuit Withstand Rating at 600 V	50 kA/60 A Class J	50 kA/60 A Class J	50 kA/100 A Class J	50 kA/100 A Class J
---	--------------------	--------------------	---------------------	---------------------

Terminal Size Acceptability (Cu Conductors only, 75°C)	8-1/0 AWG	8-1/0 AWG	8-1/0 AWG	8-1/0 AWG
---	-----------	-----------	-----------	-----------

Dimensions & Size	TR01	TR01	TR02	TR02
-------------------	------	------	------	------

(to convert to inches multiply by 0.03937)



Weight	4.3 kg	4.4 kg	9.7 kg	9.8 kg
--------	--------	--------	--------	--------

Suitable Accessories



Cat. No.	1.V160KU	2.V160KU
No. of Contacts	1n.o./1n.c.	2n.o./2n.c.
Electrical Rating	16 A/1/2HP/125-250V AC	

* 6 and 8 pole versions along with changeover version available upon request.

UL98 Motor Disconnect Switch - Stainless Steel Enclosure



- Can be used locally at the motor
- UL Type 4X
- Ideal where chemicals are used for cleaning and maintenance such as food processing and breweries
- Mining is another application area
- Stainless Steel (Grade AISI 316)
- Corrosion Resistant
- IEC IP65 Protection Level
- Lockable - Defeatable Handle



All Models are lockable with up to 3 padlocks.

Catalog Number

- Yellow/Red Handle
- Black Handle

	KER360UL98 Y/R KER360UL98		KER460UL98 Y/R KER460UL98		KER3100UL98 Y/R KER3100UL98		KER4100UL98 Y/R KER4100UL98	
No. of Poles*	3		4		3		4	
General Purpose Current	60 A		60 A		100 A		100 A	
Maximum Voltage	600V AC		600V AC		600V AC		600V AC	
Horsepower Rating /HP	1 Phase	3 Phase	1 Phase	3 Phase	1 Phase	3 Phase	1 Phase	3 Phase
120V AC	3	—	3	—	5	—	5	—
240V AC	7.5	20	7.5	20	10	25	10	25
480V AC	—	40	—	40	—	50	—	50
600V AC	—	60	—	60	—	75	—	75
Short Circuit Withstand Rating at 600 V	50 kA/60 A Class J		50 kA/60 A Class J		50 kA/100 A Class J		50 kA/100 A Class J	

Terminal Size Acceptability
(Cu Conductors only, 75°C)

8-1/0 AWG

8-1/0 AWG

8-1/0 AWG

8-1/0 AWG

Dimensions & Size

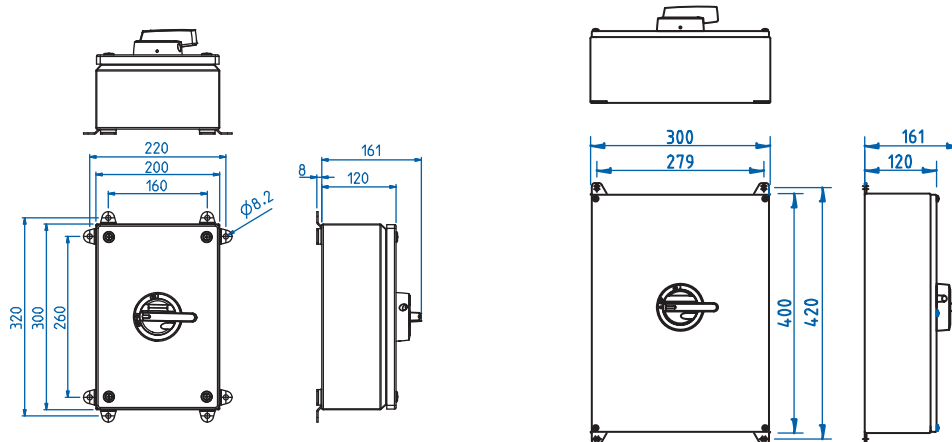
H01

H01

H02

H02

(to convert to inches multiply by 0.03937)



Weight

3.3 kg

3.4 kg

6.9 kg

7.0 kg

Suitable Accessories

AUXILIARY SWITCHES



Cat. No.	1.V160KU	2.V160KU
No. of Contacts	1n.o./1n.c.	2n.o./2n.c.
Electrical Rating	16 A/1/2HP/125-250V AC	

* 6 and 8 pole versions along with changeover version available upon request.