



- Dual AC/DC rated; *see below specifications*
- Integrated door or side panel mounting
- Rear facing terminals for easy installation
- Loadsafe LSF Series
- Switch make/break is independent from operator's actuation speed
- Silver contacts ensures safe and durable operation
- UL Disconnect Switches 16-40 A
- UL 60947-4-1

Catalog Number	RT 316 L42AD11	RT 325 L42AD11	RT 340 L42AD11
No. of Poles	3 (4 pole - RT 416 L42AD11)	3 (4 pole - RT 425 L42AD11)	3 (4 pole - RT 440 L42AD11)
General Purpose Current <b>600 V AC</b>	16 A	30 A	40 A
General Purpose Current <b>60 V DC</b>			
Maximum Voltage	600V AC	600V AC	600V AC
Motor FLA @ 600V AC	11 A	17 A	22 A
<b>Horsepower Rating /HP</b>	3 Phase	3 Phase	3 Phase
208V	3	5	5
415V	5	7.5	10
480V	7.5	10	15
600V	10	15	20

**Suitable Accessories**

**HANDLE**

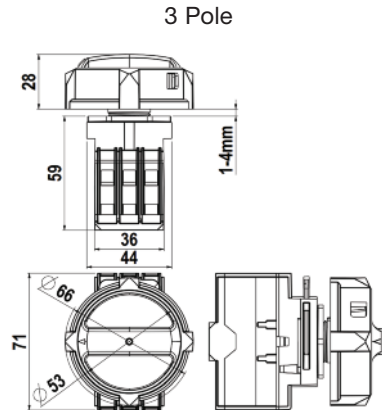
Black	LKX50
Yellow/Red	LKX50YR

**AUXILIARY CONTACT**

Screw Terminal (1 NO)	1NO40RT
Screw Terminal (1 NC)	1NC40RT

**Dimensions**

(to convert to inches multiply by 0.03937)



**Short Circuit Withstand Rating at 600V with maximum upstream fuse size/class: \***

RK5	70 A	70 A	70 A
-----	------	------	------

**Terminal Size Acceptability**

(Cu Conductors only, 75°C)	14-8 AWG	14-8 AWG	14-8 AWG
----------------------------	----------	----------	----------

**Terminal Torque**

	16 lb. in. (1.8 Nm)	16 lb. in. (1.8 Nm)	16 lb. in. (1.8 Nm)
--	---------------------	---------------------	---------------------

**Screw Head Type**

	No. 2 Pozidrive	No. 2 Pozidrive	No. 2 Pozidrive
--	-----------------	-----------------	-----------------

\* This does not indicate the disconnect is fused