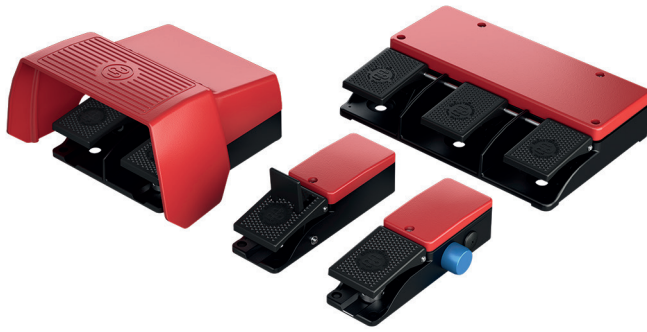


Altech Corp.® Foot Switches

by  BERNSTEIN



BERNSTEIN, a leading manufacturer of industrial foot switches, incorporates more than 50 years of experience into the development and production of its products. The wide range of models reflects the expertise of the company; offering foot switches solutions for a large variety of applications and industries.

Single Pedal Uncovered ▶

- Slow Action Contacts
- Snap Action Contacts
- Standard
- Standard IP67 & IP68
- Two Stage Operation
- Latching
- Safety Latching
- Enabling
- Analog Output
- Anti Trip Pedal
- Protective Hinged Cover
- Protective Shroud
- ASi Interface
- ATEX Approved Versions



Single Pedal Covered ▶

- Slow Action Contacts
- Snap Action Contacts
- Standard
- Standard IP67
- Two Stage Operation
- Protective Hinged Cover
- Safety Latching
- Enabling
- Built in Emergency Stop
- Built in Contactor
- Analog Output
- Anti Trip Pedal
- Latching
- Foot Rest
- Protective Shroud
- ASi Interface
- ATEX Approved Versions



◀ Double Pedal Uncovered

- Slow Action Contacts
- Snap Action Contacts
- Standard
- Standard IP67
- ATEX Approved Versions
- Two Stage Operation
- Select Pedal Function



◀ Double Pedal Covered

- Slow Action Contacts
- Snap Action Contacts
- Standard
- Standard IP67
- ATEX Approved Versions
- Two Stage Operation
- Select Pedal Function

Triple Pedal Uncovered

- Slow Action Contacts
- Snap Action Contacts
- Standard
- Two Stage Operation
- Select Pedal Function



Triple Pedal Covered

- Slow Action Contacts
- Snap Action Contacts
- Standard
- Two Stage Operation
- Select Pedal Function



Safety Foot Switches Safety Lock and Manual Release



Pedal pushed up to pressure point:

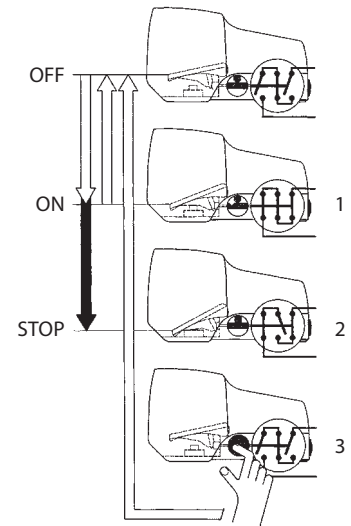
The make contact is closed and the work process is started

Pedal pushed beyond resistance of the pressure point in an emergency situation:

The make contact is interrupted and locked, the work process interrupted. The lock remains in the off position without pressure, preventing an uncontrolled restart.

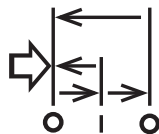
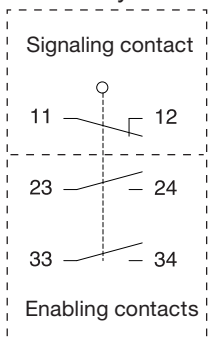
Release:

After the hazardous situation has been fixed, pressing the blue manual release button resets the contact and allows the work process to restart.



Enabling Foot Switches

Circuit symbol



When the pedal is pushed up to the pressure point, the two enabling contact close allow the process to start. If the pedal is released or if the pedal is press past the pressure point the two enabling contacts will open, stopping the work process. When the pedal is pushed to the bottom position, the enabling contacts will remain open through the center position when released. A programmable contact with a PNP output is also provided to indicated the foot switch position.

Learn More @

www.altechcorp.com/bernstein/LimitSwitches.html

Altech Corporation
35 Royal Road
Flemington, NJ 08822-6000
P 908.806.9400 • F 908.806.9490
www.altechcorp.com

Altech Corp.® 560-2000
Printed November 2015