

PCB Plug-In Connectors

3.81 mm Pin Spacing

- Horizontal Plug
- 11A Current Rating

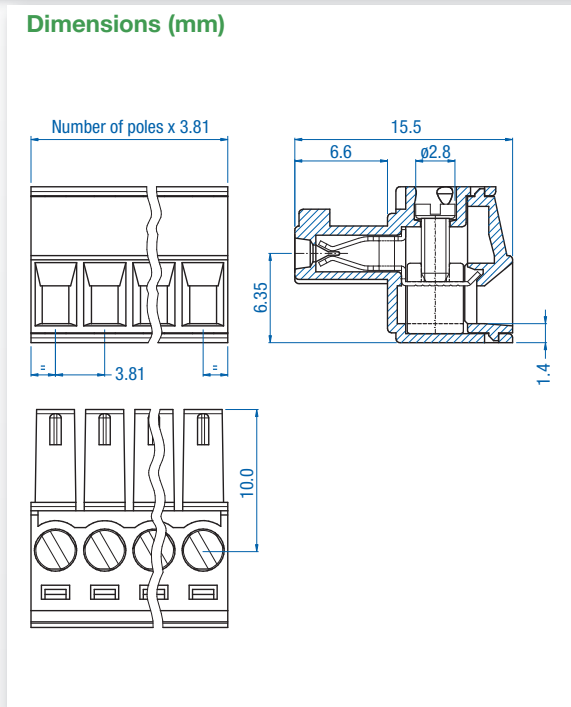


SHxx-3,81

Electrical Ratings		UL E178356		IEC	VDE
Usergroup		B	C	D	-
Rated Voltage		300V	-	300V	160V
Rated Current		11A	-	11A	8A
Wire Size	<i>solid</i>	30-14AWG	-	30-14AWG	0.25mm ² -1.5mm ²
	<i>stranded</i>	30-14AWG	-	30-14AWG	0.25mm ² -1.5mm ²

Ordering Information (3.81 mm Spacing)

No. Poles	Order #	Length (mm)	Std. Pack
2	SH02-3,81	7.6	100
3	SH03-3,81	11.4	100
4	SH04-3,81	15.2	50
5	SH05-3,81	19.1	50
6	SH06-3,81	22.9	50
7	SH07-3,81	26.7	50
8	SH08-3,81	30.5	50
9	SH09-3,81	34.3	50
10	SH10-3,81	38.1	50
11	SH11-3,81	41.9	50
12	SH12-3,81	45.7	50
13	SH13-3,81	49.5	20
14	SH14-3,81	53.3	20
15	SH15-3,81	57.2	20
16	SH16-3,81	61.0	20
17	SH17-3,81	64.8	20
18	SH18-3,81	68.6	20
19	SH19-3,81	72.4	20
20	SH20-3,81	76.2	20
21	SH21-3,81	80.0	20
22	SH22-3,81	83.8	20
23	SH23-3,81	87.6	20
24	SH24-3,81	91.4	20



Material Specifications

Screws	Galvanized Steel
Clamp	Nickel Copper Alloy
Contact Spring	Nickel Copper Alloy
Insulating Material	Polyamide
Flammability Class	V0 UL94
Operating Temperature	-30°C - +105°C

Installation Data

Screw Size	M2
Torque	0.25Nm (2.3 lb.in.)
Stripping Length	max. 8mm
Clamp Opening	1.8 x 2.6 mm

Mating Headers

Single Row	
PVPxx-3,81	PHPxx-3,81 PVxx-3,81 PHxx-3,81
Double Row	
PDVxx-3,81-V-M	PDVxx-3,81-H-M
PDVxx-3,81-V-P	PDVxx-3,81-H-P