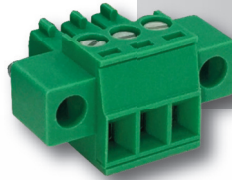


PCB Plug-In Connectors

3.81 mm Pin Spacing

- Horizontal Plug with Screw Flange
- 11A Current Rating



SHxx-3,81-K

Electrical Ratings

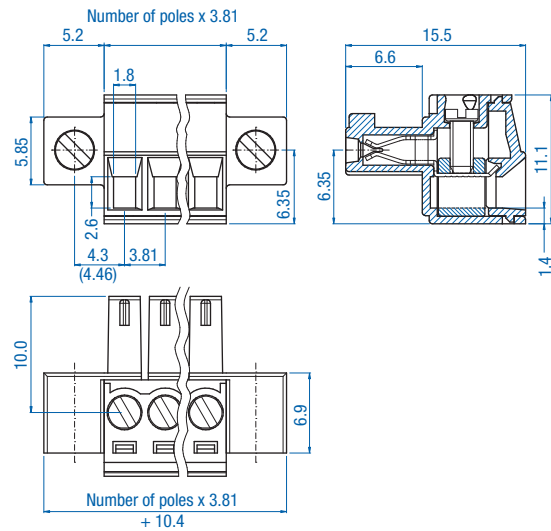
Usergroup	B	C	D	-
Rated Voltage	300V	-	300V	160V
Rated Current	11A	-	11A	8A
Wire Size	<i>solid</i> 30-14AWG <i>stranded</i> 30-14AWG	-	30-14AWG 30-14AWG	0.25mm ² -1.5mm ² 0.25mm ² -1.5mm ²



Ordering Information (3.81 mm Spacing)

No. Poles	Order #	Length (mm)	Std. Pack
2	SH02-3,81-K	18.0	100
3	SH03-3,81-K	21.8	100
4	SH04-3,81-K	25.6	50
5	SH05-3,81-K	29.5	50
6	SH06-3,81-K	33.3	50
7	SH07-3,81-K	37.1	50
8	SH08-3,81-K	40.9	50
9	SH09-3,81-K	44.7	50
10	SH10-3,81-K	48.5	50
11	SH11-3,81-K	52.3	50
12	SH12-3,81-K	56.1	50
13	SH13-3,81-K	59.9	20
14	SH14-3,81-K	63.7	20
15	SH15-3,81-K	67.6	20
16	SH16-3,81-K	71.4	20
17	SH17-3,81-K	75.2	20
18	SH18-3,81-K	79.0	20
19	SH19-3,81-K	82.8	20
20	SH20-3,81-K	86.6	20
21	SH21-3,81-K	90.4	20
22	SH22-3,81-K	94.2	20
23	SH23-3,81-K	98.0	20
24	SH24-3,81-K	101.8	20

Dimensions (mm)



Material Specifications

Screws	Galvanized Steel
Clamp	Nickel Copper Alloy
Contact Spring	Nickel Copper Alloy
Insulating Material	Polyamide
Flammability Class	V0 UL94
Operating Temperature	-30°C - +105°C

Installation Data

Screw Size	M2 (terminal), M2.5 (flange)
Torque	0.25Nm (2.3 lb.in.)
Stripping Length	max. 8mm
Clamp Opening	1.8 x 2.6 mm

Mating Headers

Single Row

PVxx-3,81-K PHxx-3,81-K

Double Row

PDVxx-3,81-V-K PDVxx-3,81-H-K