

# PCB Plug-In Header

3.81 mm Pin Spacing

- Horizontal Header - Double Row
- 11A Current Rating
- Closed Ends

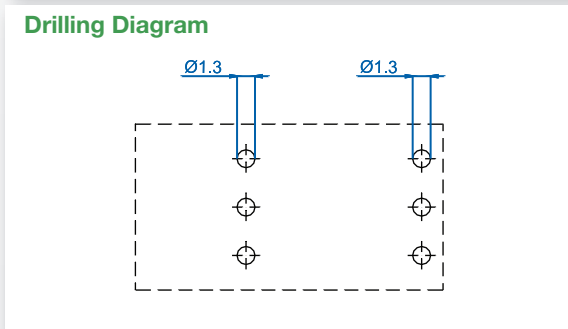
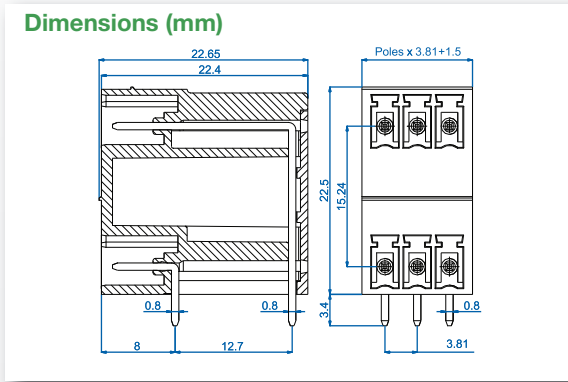


# PDVxx-3,81-H-P

Electrical Ratings		UL US E178356			IEC		VDE	
Usergroup	B	C	D	-				
Rated Voltage	300V	-	300V	160V				
Rated Current	11A	-	11A	8A				
Wire Size	<i>solid</i>	-	-	-				
	<i>stranded</i>	-	-	-				

## Ordering Information (3.81 mm Spacing)

No. Poles	Order #	Length (mm)	Std. Pack
2	PDV02-3,81-H-P	9.1	100
3	PDV03-3,81-H-P	12.9	100
4	PDV04-3,81-H-P	16.7	50
5	PDV05-3,81-H-P	20.6	50
6	PDV06-3,81-H-P	24.4	50
7	PDV07-3,81-H-P	28.2	50
8	PDV08-3,81-H-P	32.0	50
9	PDV09-3,81-H-P	35.8	50
10	PDV10-3,81-H-P	39.6	50
11	PDV11-3,81-H-P	43.4	50
12	PDV12-3,81-H-P	47.2	50
13	PDV13-3,81-H-P	41.0	20
14	PDV14-3,81-H-P	54.8	20
15	PDV15-3,81-H-P	58.7	20
16	PDV16-3,81-H-P	62.5	20
17	PDV17-3,81-H-P	66.3	20
18	PDV18-3,81-H-P	70.1	20
19	PDV19-3,81-H-P	73.9	20
20	PDV20-3,81-H-P	77.7	20
21	PDV21-3,81-H-P	81.5	20
22	PDV22-3,81-H-P	85.3	20
23	PDV23-3,81-H-P	89.1	20
24	PDV24-3,81-H-P	92.9	20



### Material Specifications

Solder Tab	Tin-Plated Copper Alloy
Insulating Material	Polyamide
Flammability Class	V0 UL94
Operating Temperature	-30°C - +105°C

### Installation Data

PCB Hole Size	1.3 mm
---------------	--------

### Mating Plugs

SHxx-3,81	SVFxx-3,81	SVPxx-3,81
-----------	------------	------------