

PCB Plug-In Header

3.81 mm Pin Spacing

- Horizontal Header - Double Row
- 11A Current Rating
- Screw Flange

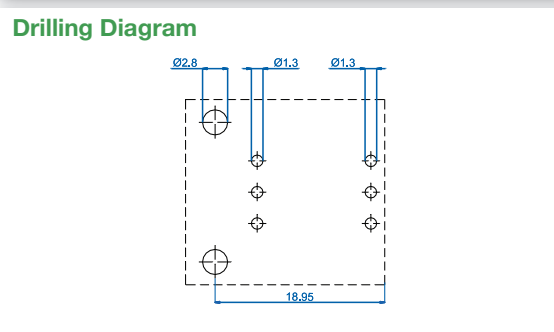
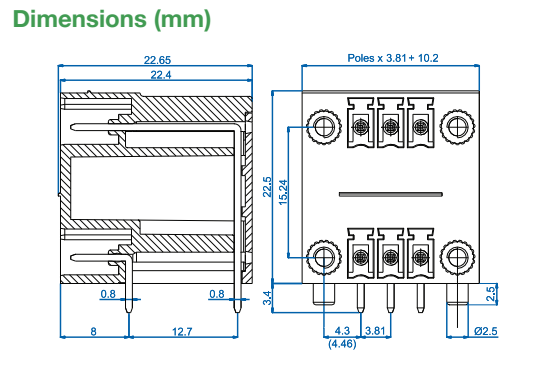


PDVxx-3,81-H-K

Electrical Ratings			UL E178356	IEC	VDE
Usergroup	B	C	D	-	
Rated Voltage	300V	-	300V	160V	
Rated Current	11A	-	11A	8A	
Wire Size	<i>solid</i>	-	-	-	
	<i>stranded</i>	-	-	-	

Ordering Information (3.81 mm Spacing)

No. Poles	Order #	Length (mm)	Std. Pack
2	PDV02-3,81-H-K	17.8	100
3	PDV03-3,81-H-K	21.6	100
4	PDV04-3,81-H-K	25.4	50
5	PDV05-3,81-H-K	29.3	50
6	PDV06-3,81-H-K	33.1	50
7	PDV07-3,81-H-K	36.9	50
8	PDV08-3,81-H-K	40.7	50
9	PDV09-3,81-H-K	44.5	50
10	PDV10-3,81-H-K	48.3	50
11	PDV11-3,81-H-K	52.1	50
12	PDV12-3,81-H-K	55.9	50
13	PDV13-3,81-H-K	59.7	20
14	PDV14-3,81-H-K	63.5	20
15	PDV15-3,81-H-K	67.4	20
16	PDV16-3,81-H-K	71.2	20
17	PDV17-3,81-H-K	75.0	20
18	PDV18-3,81-H-K	78.8	20
19	PDV19-3,81-H-K	82.6	20
20	PDV20-3,81-H-K	86.4	20
21	PDV21-3,81-H-K	90.2	20
22	PDV22-3,81-H-K	94.0	20
23	PDV23-3,81-H-K	97.8	20
24	PDV24-3,81-H-K	101.6	20



Material Specifications

Solder Tab	Tin-Plated Copper Alloy
Insulating Material	Polyamide
Flammability Class	V0 UL94
Operating Temperature	-30°C - +105°C

Installation Data

PCB Hole Size	1.3 mm
Flange Thread	M2.5

Mating Plugs

SHxx-3,81-K	SVFxx-3,81-K	SVPxx-3,81-K
-------------	--------------	--------------