

# PCB Plug-In Header

3.50 mm Pin Spacing

- Vertical Header - Double Row
- 11A Current Rating
- Closed Ends

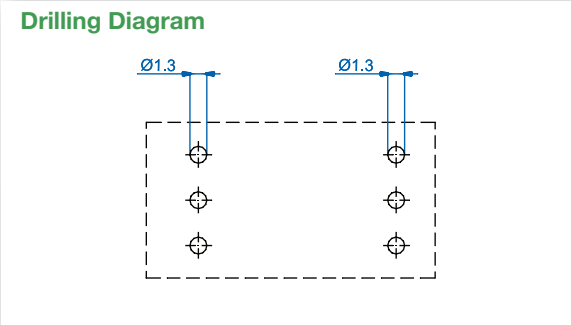
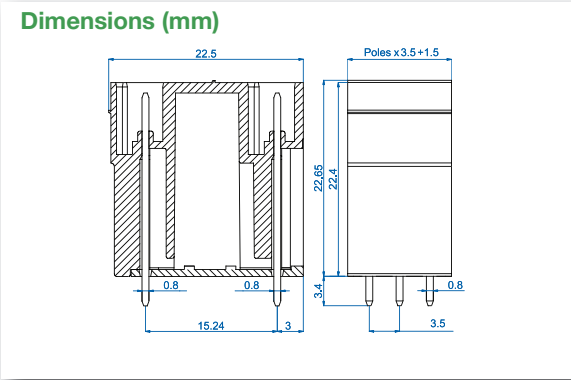


# PDVxx-3,50-V-P

Electrical Ratings		UL US E178356		IEC		VDE	
Usergroup	B	C	D	-			
Rated Voltage	300V	-	300V	160V			
Rated Current	11A	-	11A	8A			
Wire Size	<i>solid</i>	-	-	-			
	<i>stranded</i>	-	-	-			

## Ordering Information (3.50 mm Spacing)

No. Poles	Order #	Length (mm)	Std. Pack
2	PDV02-3,50-V-P	8.5	100
3	PDV03-3,50-V-P	12.0	100
4	PDV04-3,50-V-P	15.5	50
5	PDV05-3,50-V-P	19.0	50
6	PDV06-3,50-V-P	22.5	50
7	PDV07-3,50-V-P	26.0	50
8	PDV08-3,50-V-P	29.5	50
9	PDV09-3,50-V-P	33.0	50
10	PDV10-3,50-V-P	35.5	50
11	PDV11-3,50-V-P	40.0	50
12	PDV12-3,50-V-P	43.5	50
13	PDV13-3,50-V-P	47.0	20
14	PDV14-3,50-V-P	50.5	20
15	PDV15-3,50-V-P	54.0	20
16	PDV16-3,50-V-P	57.5	20
17	PDV17-3,50-V-P	61.0	20
18	PDV18-3,50-V-P	64.5	20
19	PDV19-3,50-V-P	68.0	20
20	PDV20-3,50-V-P	71.5	20
21	PDV21-3,50-V-P	75.0	20
22	PDV22-3,50-V-P	78.5	20
23	PDV23-3,50-V-P	83.0	20
24	PDV24-3,50-V-P	85.5	20



### Material Specifications

Solder Tab	Tin-Plated Copper Alloy
Insulating Material	Polyamide
Flammability Class	V0 UL94
Operating Temperature	-30°C - +105°C

### Installation Data

PCB Hole Size	1.3 mm
---------------	--------

### Mating Plugs

SHxx-3,50	SVFxx-3,50	SVPxx-3,50
-----------	------------	------------