

PCB Plug-In Header

3.50 mm Pin Spacing

- Vertical Header - Double Row
- 11A Current Rating
- Open Ends
- Modular

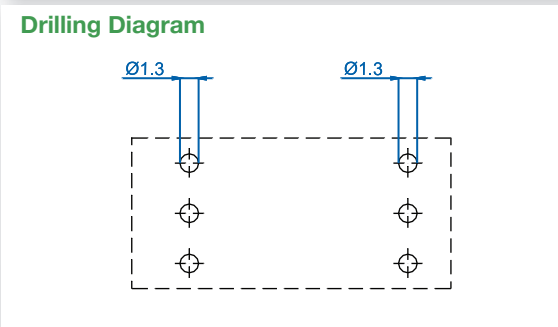
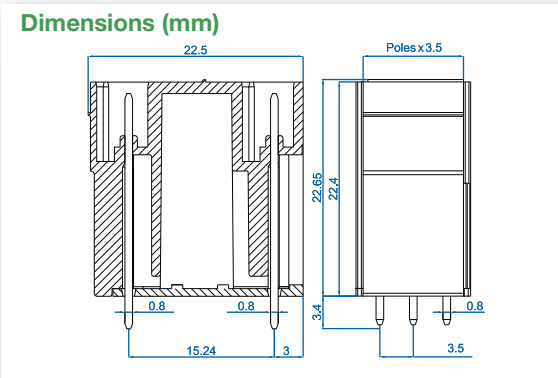


PDVxx-3,50-V-M

Electrical Ratings		UL US E178356		IEC		VDE	
Usergroup	B	C	D	-			
Rated Voltage	300V	-	300V	160V			
Rated Current	11A	-	11A	8A			
Wire Size	<i>solid</i>	-	-	-			
	<i>stranded</i>	-	-	-			

Ordering Information (3.50 mm Spacing)

No. Poles	Order #	Length (mm)	Std. Pack
2	PDV02-3,50-V-M	7.0	100
3	PDV03-3,50-V-M	10.5	100
4	PDV04-3,50-V-M	14.0	50
5	PDV05-3,50-V-M	17.5	50
6	PDV06-3,50-V-M	21.0	50
7	PDV07-3,50-V-M	24.5	50
8	PDV08-3,50-V-M	28.0	50
9	PDV09-3,50-V-M	31.5	50
10	PDV10-3,50-V-M	35.0	50
11	PDV11-3,50-V-M	38.5	50
12	PDV12-3,50-V-M	42.0	50
13	PDV13-3,50-V-M	45.5	20
14	PDV14-3,50-V-M	49.0	20
15	PDV15-3,50-V-M	52.5	20
16	PDV16-3,50-V-M	56.0	20
17	PDV17-3,50-V-M	59.5	20
18	PDV18-3,50-V-M	63.0	20
19	PDV19-3,50-V-M	66.5	20
20	PDV20-3,50-V-M	70.0	20
21	PDV21-3,50-V-M	73.5	20
22	PDV22-3,50-V-M	77.0	20
23	PDV23-3,50-V-M	81.5	20
24	PDV24-3,50-V-M	84.0	20



Material Specifications

Solder Tab	Tin-Plated Copper Alloy
Insulating Material	Polyamide
Flammability Class	V0 UL94
Operating Temperature	-30°C - +105°C

Installation Data

PCB Hole Size	1.3 mm
---------------	--------

Mating Plugs

SHxx-3,50	SVFxx-3,50	SVPxx-3,50
-----------	------------	------------