

# PCB Plug-In Header

5.08 mm Pin Spacing

- Horizontal - Double Level Header
- 12A Current Rating
- Closed Ends
- Modular

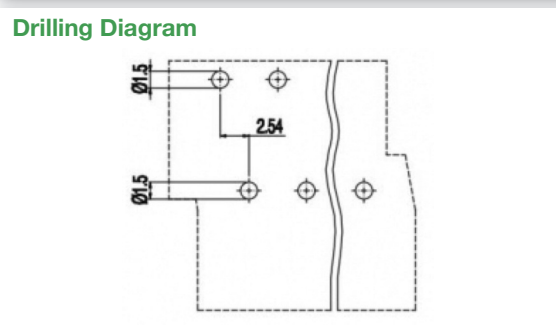
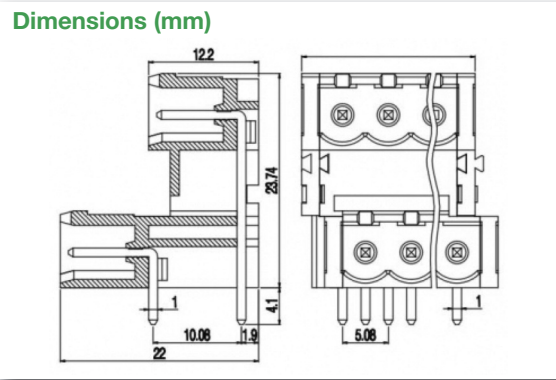


# PDSHxx-5,08-P

Electrical Ratings			UL US E178356		IEC		VDE	
Usergroup	B	C	D					
Rated Voltage	300V	-	300V	250V				
Rated Current	12A	-	12A	12A				
Wire Size	<i>solid</i>	-	-	-				
	<i>stranded</i>	-	-	-				

## Ordering Information (5.08 mm Spacing)

No. Poles	Order #	Length (mm)	Std. Pack
2	PDSH02-5,08-P	10.16	100
3	PDSH03-5,08-P	15.24	100
4	PDSH04-5,08-P	20.32	50
5	PDSH05-5,08-P	25.40	50
6	PDSH06-5,08-P	30.48	50
7	PDSH07-5,08-P	35.56	50
8	PDSH08-5,08-P	40.64	50
9	PDSH09-5,08-P	45.72	50
10	PDSH10-5,08-P	50.80	50
11	PDSH11-5,08-P	55.88	50
12	PDSH12-5,08-P	60.96	50
13	PDSH13-5,08-P	66.04	20
14	PDSH14-5,08-P	71.12	20
15	PDSH15-5,08-P	76.20	20
16	PDSH16-5,08-P	81.28	20
17	PDSH17-5,08-P	86.36	20
18	PDSH18-5,08-P	91.44	20
19	PDSH19-5,08-P	96.52	20
20	PDSH20-5,08-P	101.60	20
21	PDSH21-5,08-P	106.68	20
22	PDSH22-5,08-P	111.76	20
23	PDSH23-5,08-P	116.84	20
24	PDSH24-5,08-P	121.92	20



### Material Specifications

Solder Tab	Tin-Plated Copper Alloy
Insulating Material	Polyamide
Flammability Class	V0 UL94
Operating Temperature	-30°C - +105°C

### Installation Data

PCB Hole Size	1.5 mm
---------------	--------

### Mating Plugs

SHxx-5,08-P	SVFxx-5,08-P	SPVxx-5,08-P
-------------	--------------	--------------