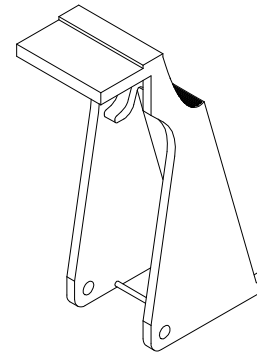
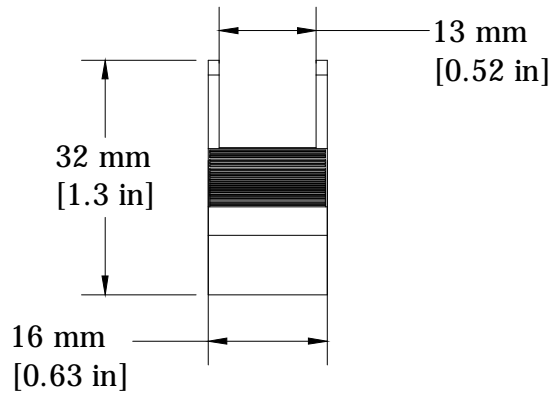
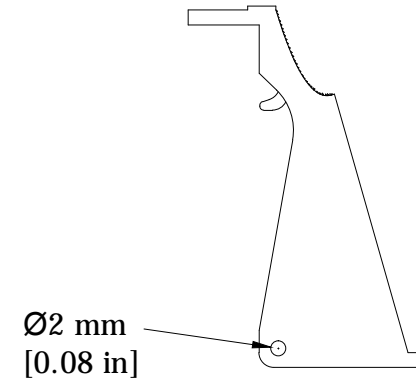
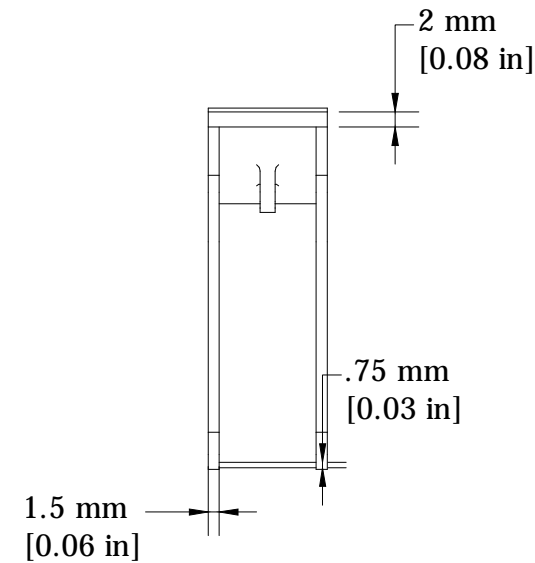


REVISIONS FOR DWG # 71-GZMB80_0040

REV	CH.NO.	DESCRIPTION	DATE	REVISED BY
-	-	ORIGINAL DESIGN	08/04/15	ARON G



Interactive 3D Model



UNLESS OTHERWISE SPECIFIED
 • ALL DIMENSIONS ARE IN MILLIMETERS
 • THIRD ANGLE PROJECTION

• TOLERANCE	
XX	1.00 mm
XX.X	0.50 mm
XX.XX	0.20 mm
ALL	XX mm

CIRTIM

This Drawing is the property of

Altrech Corp.

35 Royal Road
 Flemington NJ 08822-6000
 (908) 806-9400 • Fax (908) 806-9490

AND IS A CONFIDENTIAL DISCLOSURE
 LENT WITHOUT CONSIDERATION OTHER
 THAN THE BORROWER'S AGREEMENT
 THAT IT SHALL NOT BE REPRODUCED,
 COPIED, LENT, OR DISPOSED OF
 DIRECTLY OR INDIRECTLY NOR USED
 FOR ANY PURPOSE OTHER THAN THAT
 FOR WHICH IT IS SPECIFICALLY
 FURNISHED.

TITLE: Miniature Electromagnetic Relay Accessory
 Plastic Retainer; PN: GZMB80-0040

DRAWN BY: Aron Gyorgypal	08/04/15	DRAWING NO.:	M-Cad-71-GZMB80_0040	REV.:	-
CHECKED BY: Laszlo G	08/04/15	SCALE:	-	SHEET:	1 OF: 1
RELEASED BY: Laszlo G	08/04/15				