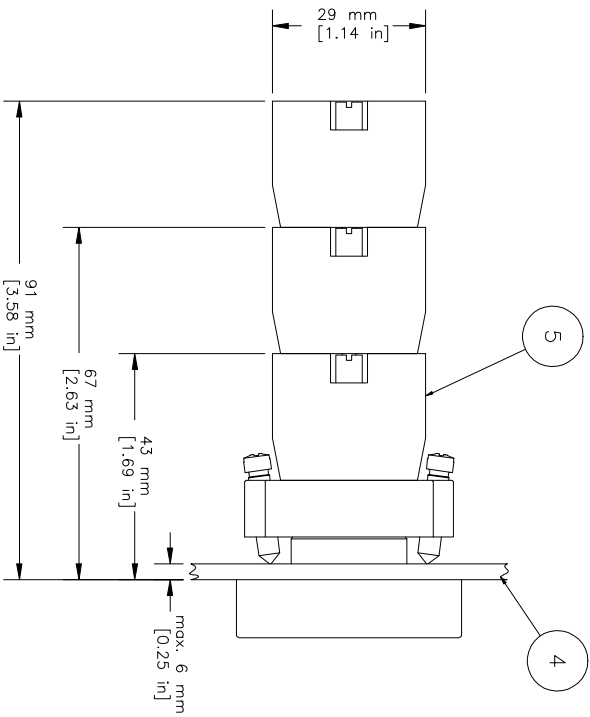
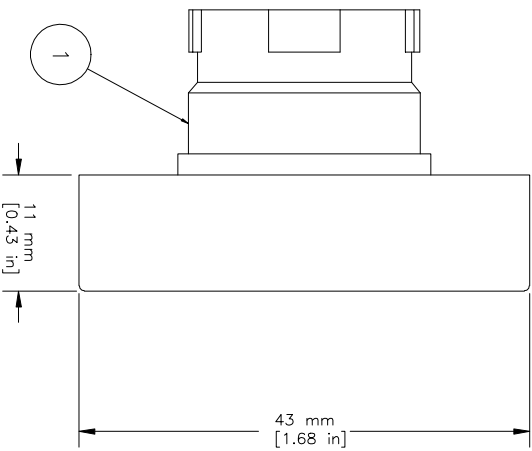
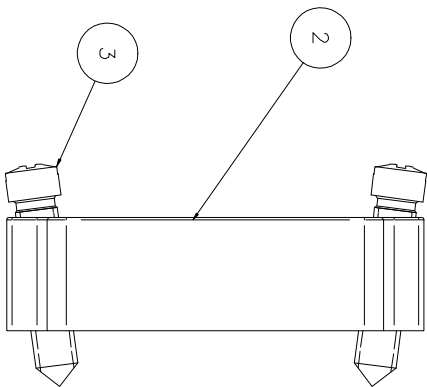
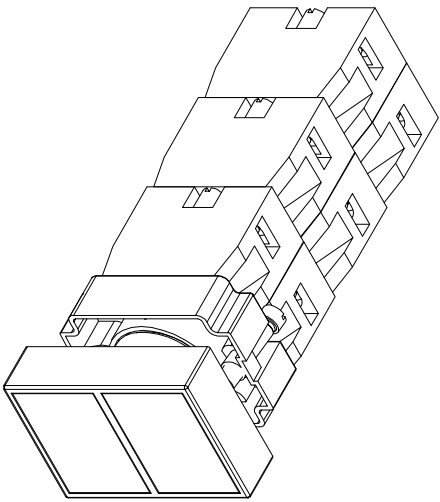


REVISIONS FOR DWG # 1PB-2ATFX-FX				
REV	CH. NO.	DESCRIPTION	DATE	REVISED BY
-	-	ORIGINAL DESIGN	10/25/07	Phil E.



ITEM	DESCRIPTION	CAT. NO.	COLOR	MIN. QTY.	MAX. QTY.
1	Twin Touch/ Not marked, flush (comes with 2BRK)	2ATF3-F4 2ATF8-F2 2ATF1-F1	Green-Red Yellow-Black White-Black	1 1 1	1 1 1
2	Mounting Bracket	2BRK	-	1	1
3	Mounting Bracket Screws	incl. in 2BRK	-	2	2
4	Panel	S1 S2 S3 S4	Green Red Green/Gray Red/Gray	1 1 1 1	6 6 6 6
5	Switch Contacts				

TITLE: 22mm Twin Touch Metal Non-Illuminated Operators Flush 2ATFX-Fy (x=color)

DRAWN BY: Philip Ernstberger	10/25/07	DRAWING NO.:	1PB-2ATFX-FX	REV.:	-
CHECKED BY: Laszlo Gyorgypal	10/25/07	SCALE:	-	SHEET:	1 OF 1
RELEASED BY: Laszlo Gyorgypal	10/25/07				

UNLESS OTHERWISE SPECIFIED  
 • ALL DIMENSIONS ARE IN MILLIMETERS  
 • THIRD ANGLE PROJECTION

TOLERANCE  
 XX ±1 mm  
 XX X ±0.5 mm  
 XX.XX ±0.2 mm  
 ALL - mm

35 Royal Road  
 Flemington NJ 08822-6000  
 (908) 806-9400 • Fax (908) 806-9490

**Attech Corp.**

M-H-R-C