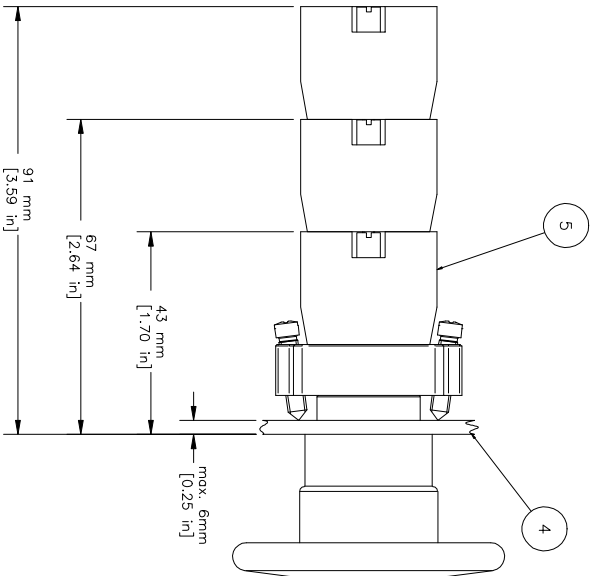
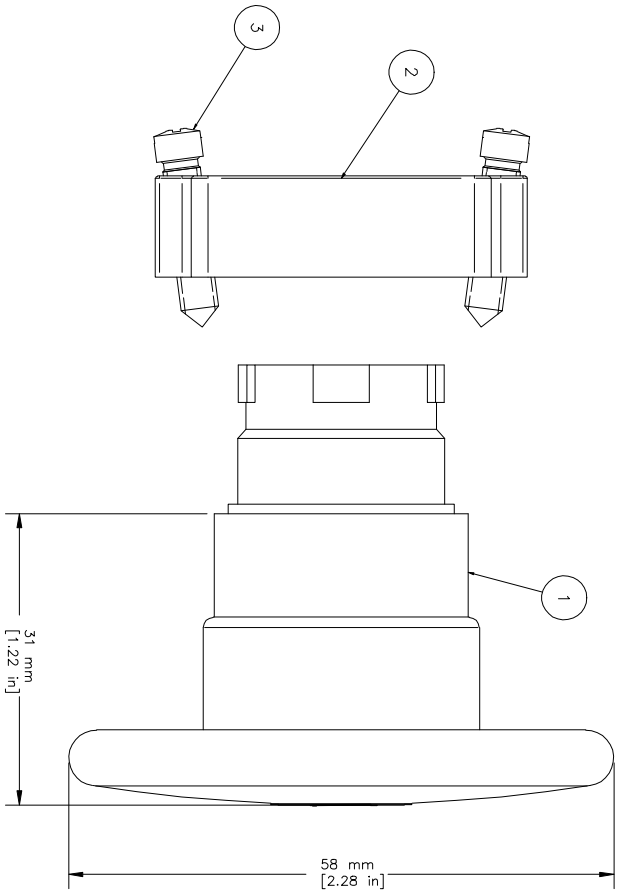
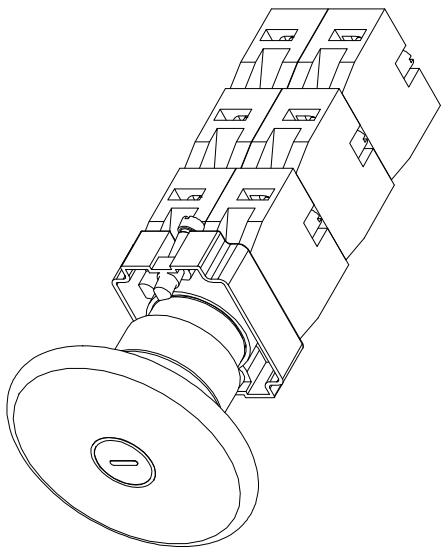


REVISIONS FOR DWG # 1PB-2AMPPJX				
REV	CH. NO.	DESCRIPTION	DATE	REVISED BY
-	-	ORIGINAL DESIGN	09/17/07	Phil E.



ITEM	DESCRIPTION	CAT. NO.	COLOR	MIN. QTY.	MAX. QTY.
1	Mushroom Push-Pull Large Operator (comes with mounting bracket 2BRK)	2AMP PJ1	White	1	1
		2AMP PJ2	Black	1	1
		2AMP PJ3	Green	1	1
		2AMP PJ4	Red	1	1
		2AMP PJ6	Blue	1	1
2	Mounting Bracket	2BRK	-	1	1
3	Mounting Bracket Screws	Incl. in 2BRK	-	2	2
4	Panel	-	-	-	-
5	Switch Contacts	S1	Green	1	6
		S2	Red	1	6
		S3	Green/Gray	1	6
		S4	Red/Gray	1	6

This Drawing is the property of

**Altech Corp.**

35 Royal Road  
Flemington NJ 08822-6000  
(908) 806-9400 • Fax (908) 806-9490

- UNLESS OTHERWISE SPECIFIED
  - ALL DIMENSIONS ARE IN MILLIMETERS
  - THIRD ANGLE PROJECTION
  - TOLERANCE
- |       |         |
|-------|---------|
| XX    | ±1 mm   |
| XX X  | ±0.5 mm |
| XX.XX | ±0.2 mm |
| ALL   | - mm    |

AND IS A CONFIDENTIAL DISCLOSURE  
LENT WITHOUT CONSIDERATION OTHER  
THAN THE BORROWER'S AGREEMENT  
THAT IT SHALL NOT BE REPRODUCED,  
COPIED, LENT, OR DISPOSED OF  
DIRECTLY OR INDIRECTLY NOR USED  
FOR ANY PURPOSE OTHER THAN THAT  
FOR WHICH IT IS SPECIFICALLY  
FURNISHED.

TITLE: 22mm Non-Illuminated Mushroom Push-Pull Metal Large Operator 2AMPPJX (x=color)			
DRAWN BY:	09/17/07	DRAWING NO.:	1PB-2AMPPJX
PHILIPP ERNSTBERGER			
CHECKED BY:	09/17/07	SCALE:	-
LESZLO GYORGYPAI		SHEET:	1 OF 1
RELEASED BY:	09/17/07		
LESZLO GYORGYPAI			