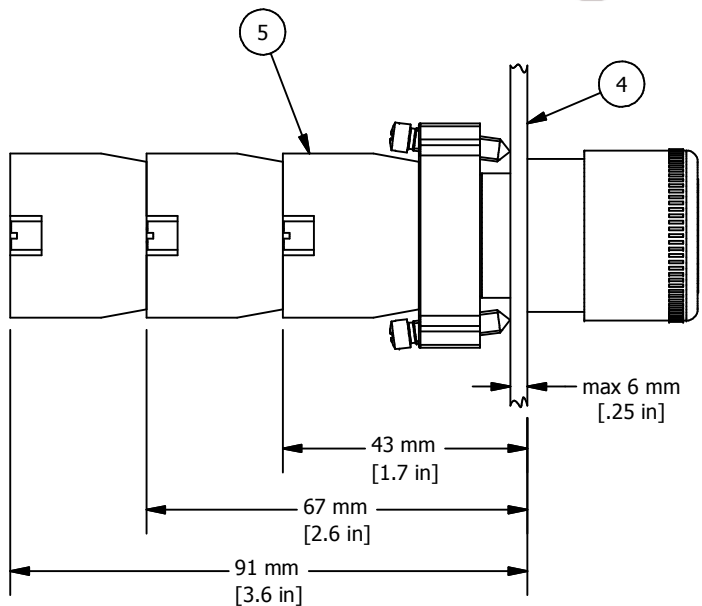
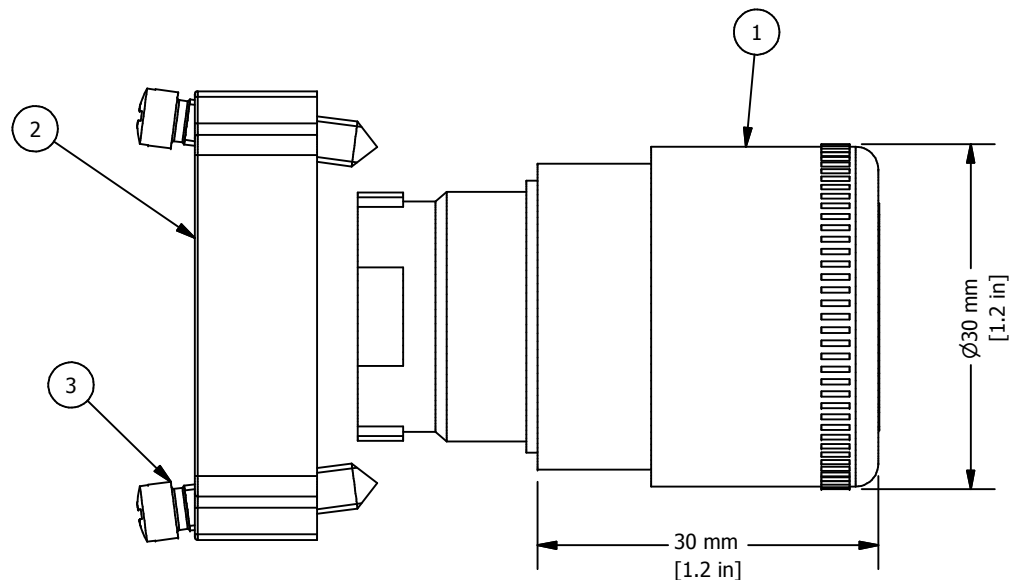
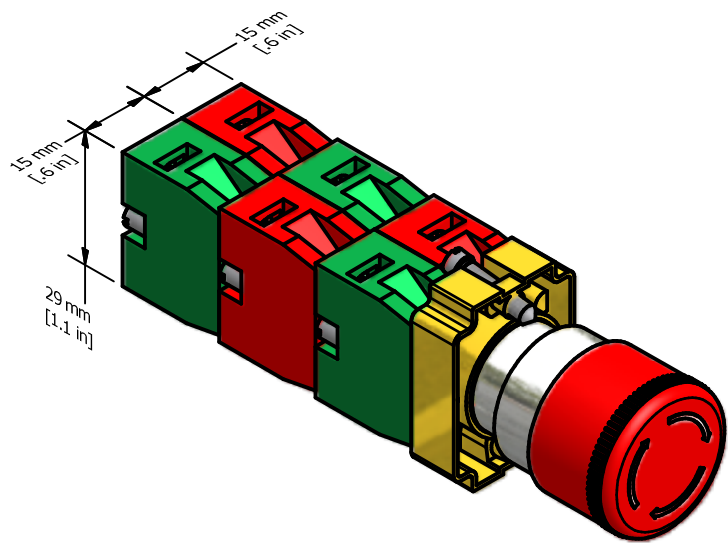


REVISION FOR DWG # 1PB-2AMLSx

REV	CH.NO.	DESCRIPTION	DATE	REVISED BY
-	-	ORIGINAL DESIGN	11/15/2007	PHILIPP E.



ITEM	DESCRIPTION	CAT. NO.	COLOR	MIN. QTY.	MAX. QTY.
1	Mushroom Push-Turn Small Operator (comes with mounting bracket 2BRK)	2AMLS1	White	1	1
		2AMLS2	Black	1	1
		2AMLS3	Green	1	1
		2AMLS4	Red	1	1
		2AMLS6	Blue	1	1
		2AMLS8	Yellow	1	1
2	Mounting Bracket	2BRK	-	1	1
3	Mounting Bracket Screws	incl. in 2BRK	-	2	2
4	Panel	-	-	-	-
5	Switch Contacts	S1	Green	1	6
		S2	Red	1	6
		S3	Green/Gray	1	6
		S4	Red/Gray	1	6

UNLESS OTHERWISE SPECIFIED:
 • ALL DIMENSIONS ARE IN MILLIMETERS
 • THIRD ANGLE PROJECTION



This Drawing is the property of
Altech Corp.

35 Royal Road
 Flemington, NJ 08822-6000
 (908) 806-9400
 Fax (908) 806-9490

M
E
T
R
I
C

TOLERANCE	
XX	= ±1 mm
XX.X	= ±0.5 mm
XX.XX	= ±0.2 mm
ALL	= - mm

AND IS A CONFIDENTIAL DISCLOSURE
 WITHOUT THE BORROWER'S AGREEMENT THAT IT SHALL NOT BE REPRODUCED, COPIED, LENT OR DISPOSED OF DIRECTLY OR INDIRECTLY NOR USED FOR ANY PURPOSE OTHER THAN THAT FOR WHICH IT IS SPECIFICALLY FURNISHED.

TITEL 22 mm Mushroom Push-Turn Small Metal Operator 2AMLSx (x=color)

DRAWN BY: Philipp Ernstberger	11/15/2007	DRAWING NO.:	1PB-2AMLSx	REV.:	-
CHECKED BY: Laszlo Gyorgypal	11/15/2007	SCALE:	-	SHEET:	1
RELEASED BY: Laszlo Gyorgypal	11/15/2007			OF:	1