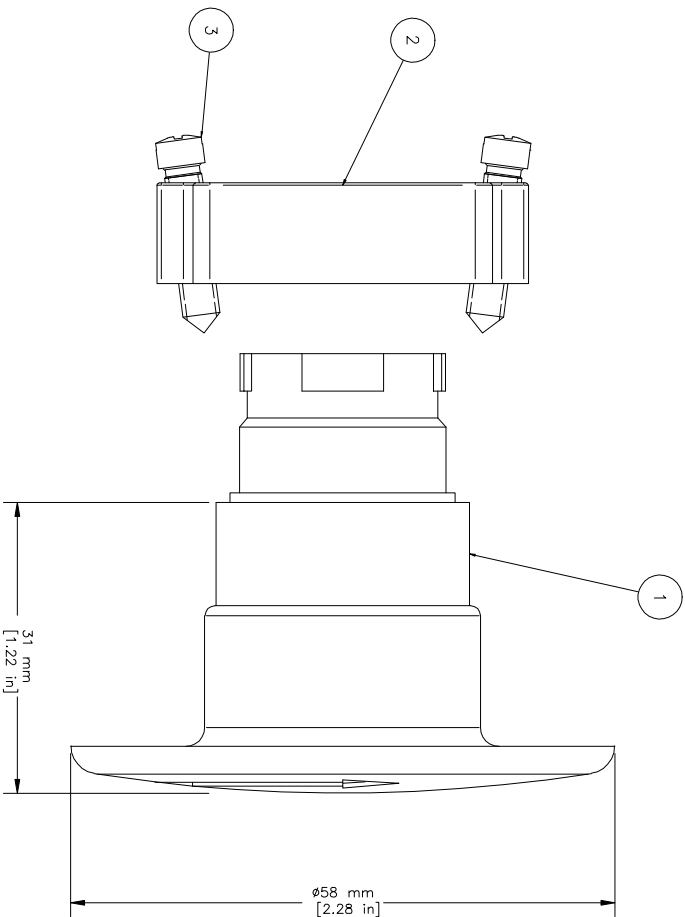
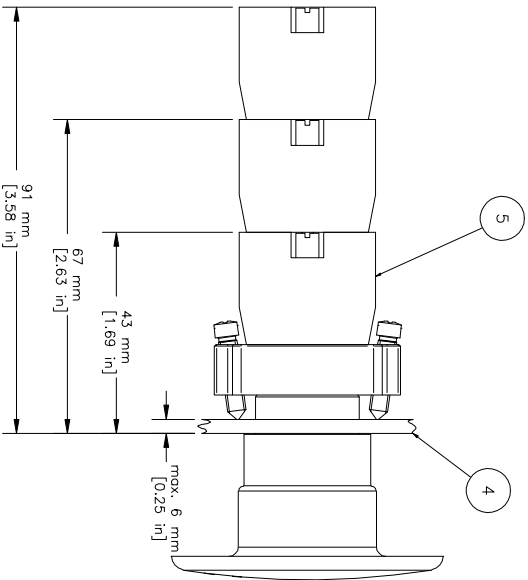
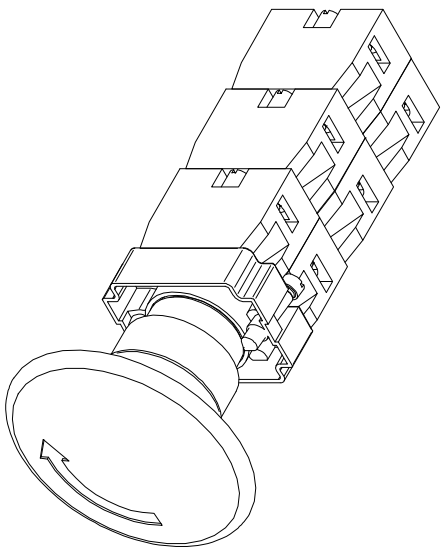


REVISIONS FOR DWG # 1PB-2AMLJX				
REV	CH. NO.	DESCRIPTION	DATE	REVISED BY
-	-	ORIGINAL DESIGN	09/20/07	Phil E.



ITEM	DESCRIPTION	CAT. NO.	COLOR	MIN. QTY.	MAX. QTY.
1	Mushroom Push-Turn Large Operator (comes with mounting bracket 2BRK)	2AMLJ1	White	1	1
		2AMLJ2	Black	1	1
		2AMLJ3	Green	1	1
		2AMLJ4	Red	1	1
		2AMLJ5	Blue	1	1
		2AMLJ6	Yellow	1	1
2	Mounting Bracket	2BRK	-	1	1
3	Mounting Bracket Screws	Incl. in 2BRK	-	2	2
4	Panel	-	-	-	-
5	Switch Contacts	S1	Green	1	6
		S2	Red	1	6
		S3	Green/Gray	1	6
		S4	Red/Gray	1	6

TITLE: 22 mm Non-Illuminated Mushroom Push-Turn Metal Operator 2AMLJX (x=color)

DRAWN BY: Philipp Ernstberger	09/20/07	DRAWING NO.: 1PB-2AMLJX	REV.: -
CHECKED BY: Laszlo Gyorgypal	09/20/07	SCALE: -	SHEET: 1 OF: 1
RELEASED BY: Laszlo Gyorgypal	09/20/07		

UNLESS OTHERWISE SPECIFIED
 • ALL DIMENSIONS ARE IN MILLIMETERS
 • THIRD ANGLE PROJECTION

TOLERANCE
 XX ±1 mm
 XX X ±0.5 mm
 XX.XX ±0.2 mm
 ALL - mm

This Drawing is the property of **Attech Corp.**
 AND IS A CONFIDENTIAL DISCLOSURE
 LENT WITHOUT CONSIDERATION OTHER
 THAN THE BORROWER'S AGREEMENT
 THAT IT SHALL NOT BE REPRODUCED,
 COPIED, LENT, OR DISPOSED OF
 DIRECTLY OR INDIRECTLY NOR USED
 FOR ANY PURPOSE OTHER THAN THAT
 FOR WHICH IT IS SPECIFICALLY
 FURNISHED.

35 Royal Road
 Flemington NJ 08822-6000
 (908) 806-9400 • Fax (908) 806-9490