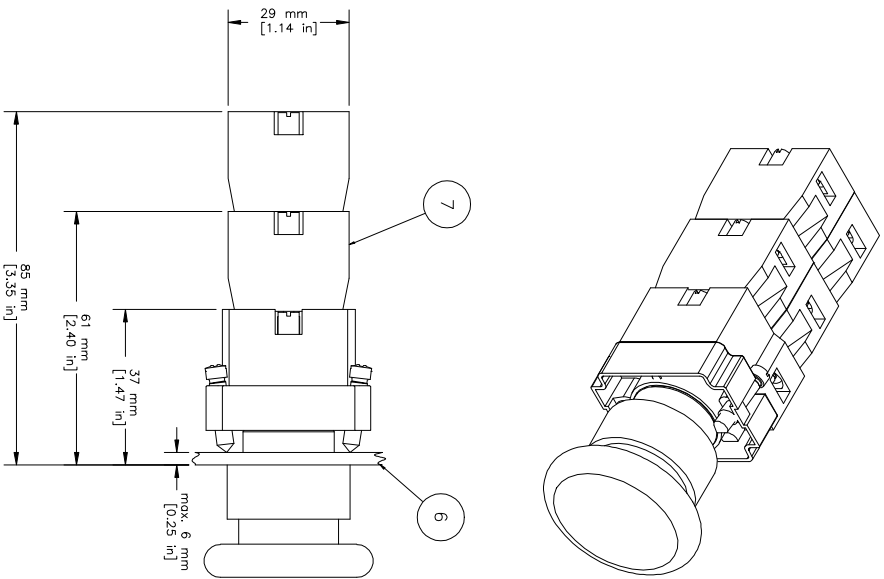


REVISIONS FOR DWG # 1PB-2ALMxLB-xxx				
REV	CH. NO.	DESCRIPTION	DATE	REvised BY
-	-	ORIGINAL DESIGN	10/26/07	Phil E.



xxx = Voltage	
012	= 12V AC/DC
024	= 24V AC/DC
048	= 48V AC/DC
110	= 110V AC/DC
230	= 230V AC

ITEM	DESCRIPTION	CAT. NO.	COLOR	MIN. QTY.	MAX. QTY.
1	LED Illuminated Mushroom Metal Operator (comes with mounting bracket, LED bulb and bulb holder)	2ALM1LB-xxx 2ALM3LB-xxx 2ALM4LB-xxx 2ALM5LB-xxx 2ALM6LB-xxx 2ALM7LB-xxx 2ALM8LB-xxx	White Green Red Amber Blue Clear Yellow	1 1 1 1 1 1 1	1 1 1 1 1 1 1
2	Mounting Bracket	2BRK	-	1	1
3	LED Bulb	Incl. in 2BRK	-	1	1
4	Mounting Bracket Screws	Incl. in 2BRK	-	2	2
5	Bulb Holder	Incl. in 2BRK	-	1	1
6	Panel	-	-	-	-
		S1	Green	1	4
		S2	Red	1	4
		S3	Green/Gray	1	4
		S4	Red/Gray	1	4
7	Switch Contacts				

TITLE: 22 mm LED Illuminated Momentary Metal Operator 2ALMxLB-xxx (xxx=Voltage; y=color)

DRAWN BY: Philipp Ernstberger	10/26/07	DRAWING NO.: 1PB-2ALMxLB-xxx	REV: -
CHECKED BY: Laszlo Gyorgypal	10/26/07		
RELEASED BY: Laszlo Gyorgypal	10/26/07	SCALE: -	SHEET: 1 OF: 1

UNLESS OTHERWISE SPECIFIED
 • ALL DIMENSIONS ARE IN MILLIMETERS
 • THIRD ANGLE PROJECTION

TOLERANCE

XX	±1 mm
XX X	±0.5 mm
XX.XX	±0.2 mm
ALL	- mm

M-H-R-C

This Drawing is the property of
Attech Corp.
 35 Royal Road
 Flemington NJ 08822-6000
 (908) 806-9400 • Fax (908) 806-9490

AND IS A CONFIDENTIAL DISCLOSURE
 LENT WITHOUT CONSIDERATION OTHER
 THAN THE BORROWER'S AGREEMENT
 THAT IT SHALL NOT BE REPRODUCED,
 COPIED, LENT, OR DISPOSED OF
 DIRECTLY OR INDIRECTLY NOR USED
 FOR ANY PURPOSE OTHER THAN THAT
 FOR WHICH IT IS SPECIFICALLY
 FURNISHED.