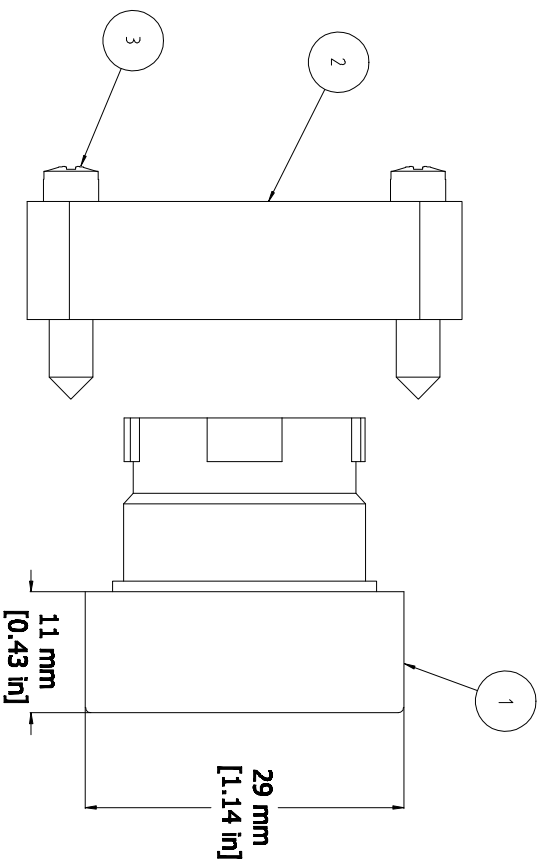
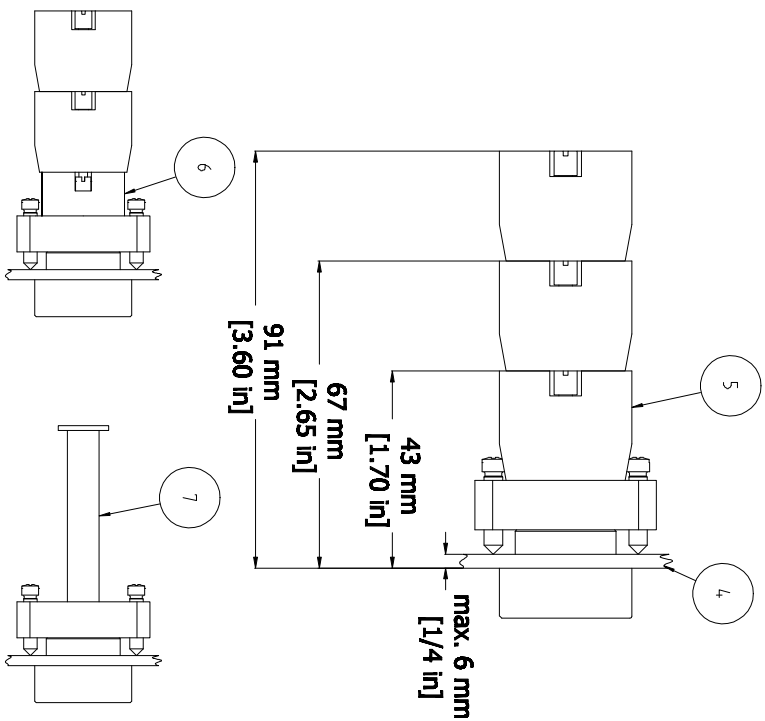
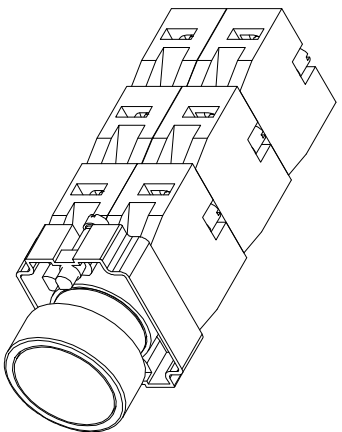


REVISIONS FOR DWG # 1PB-2AFX			
REV. CH. NO.	DESCRIPTION	DATE	REVISED BY
-	ORIGINAL DESIGN	09/12/07	Phil E.



ITEM	DESCRIPTION	CAT. NO.	COLOR	MIN. QTY.	MAX. QTY.
1	Flush Operator (comes with mounting bracket 2BRK)	2AF-1	White	1	1
		2AF-2	Black	1	1
		2AF-3	Green	1	1
		2AF-4	Red	1	1
		2AF-6	Blue	1	1
		2AF-8	Yellow	1	1
		2BRK	-	1	1
		2	Mounting Bracket	2BRK	-
3	Mounting Bracket Screws	Incl. in 2BRK	-	2	2
4	Panel	-	-	-	-
5	Switch Contacts	S1	Green	1	6
		S2	Red	1	6
		S3	Green/Gray	1	6
		S4	Red/Gray	1	6
6	Maintained Action Block	2PPM	Red/Gray	1	6
7	Remote Attachment	Add Suffix "RR"	Black	1	1

TITLE: 22 mm Non-Illuminated Metal Operator

2AFX

DRAWN BY: Philipp Ernstberger	09/12/07	DRAWING NO.: 1PB-2AFX	REV.: -
CHECKED BY: Laszlo Gyorgypal	09/12/07	SCALE: -	SHEET: 1 OF: 1
RELEASED BY: Laszlo Gyorgypal	09/12/07		

UNLESS OTHERWISE SPECIFIED
 • ALL DIMENSIONS ARE IN MILLIMETERS
 • THIRD ANGLE PROJECTION

TOLERANCE
 XX ±1mm
 XX X ±0.5mm
 XX.XX ±0.2mm
 ALL -mm

This Drawing is the property of
Altech Corp.
 35 Royal Road
 Flemington NJ 08822-6000
 (908) 806-9400 • Fax (908) 806-9490

AND IS A CONFIDENTIAL DISCLOSURE
 LENT WITHOUT CONSIDERATION OTHER
 THAN THE BORROWER'S AGREEMENT
 THAT IT SHALL NOT BE REPRODUCED,
 COPIED, LENT, OR DISPOSED OF
 DIRECTLY OR INDIRECTLY NOR USED
 FOR ANY PURPOSE OTHER THAN THAT
 FOR WHICH IT IS SPECIFICALLY
 FURNISHED.