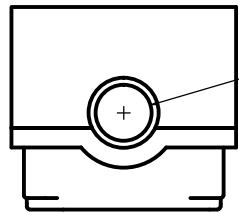


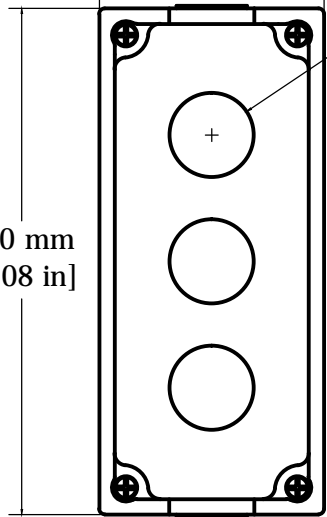
REVISIONS FOR DWG # 7006E13

REV	CH.NO.	DESCRIPTION	DATE	REVISED BY
-	-	ORIGINAL DESIGN	06/30/16	ARON G



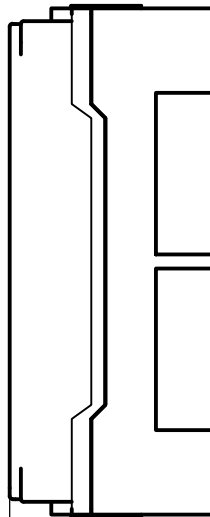
2xM20

80 mm  
[3.14 in]

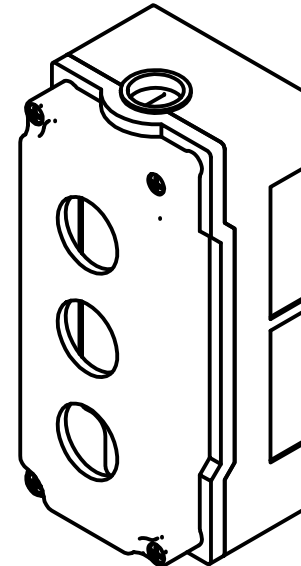


180 mm  
[7.08 in]

ø30 mm



72 mm  
[2.83 in]



UNLESS OTHERWISE SPECIFIED  
 • ALL DIMENSIONS ARE IN MILLIMETERS  
 • THIRD ANGLE PROJECTION

• TOLERANCE	
XX	∓ 1.00 mm
XX.X	∓ 0.50 mm
XX.XX	∓ 0.20 mm
ALL	∓ XX mm

CIRTEC

This Drawing is the property of  
**Altrech Corp.**

35 Royal Road  
 Flemington NJ 08822-6000  
 (908) 806-9400 • Fax (908) 806-9490

AND IS A CONFIDENTIAL DISCLOSURE  
 LENT WITHOUT CONSIDERATION OTHER  
 THAN THE BORROWER'S AGREEMENT  
 THAT IT SHALL NOT BE REPRODUCED,  
 COPIED, LENT, OR DISPOSED OF  
 DIRECTLY OR INDIRECTLY NOR USED  
 FOR ANY PURPOSE OTHER THAN THAT  
 FOR WHICH IT IS SPECIFICALLY  
 FURNISHED.

TITLE: 30mm Aluminum Enclosure  
 PN: 7006E13

DRAWN BY: Aron Gyorgypal	06/30/16	DRAWING NO.:	M-Cad-1PB-7006E13	REV.:	-
CHECKED BY: Laszlo G	06/30/16	SCALE:	-	SHEET: 1	OF: 1
RELEASED BY: Laszlo G	06/30/16				