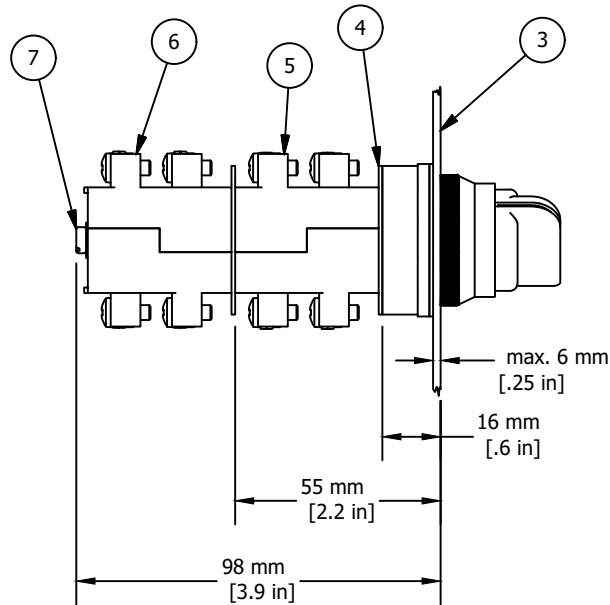
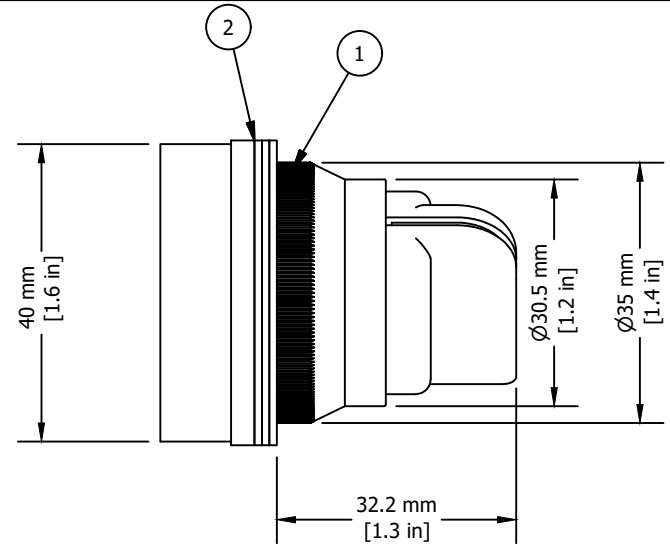
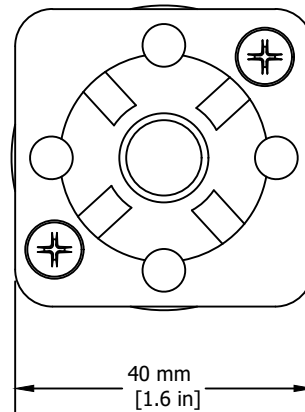
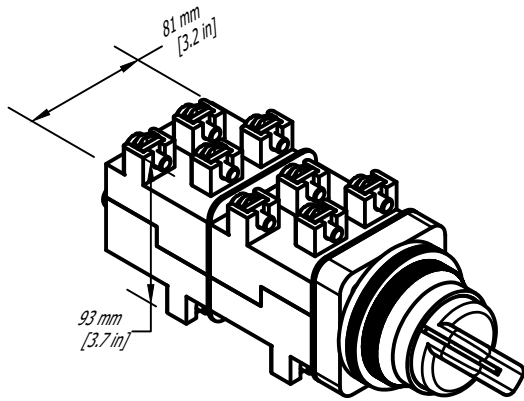


REVISIONS FOR DWG # ASx-xPxx

REV	CH.NO.	DESCRIPTION	DATE	REVISED BY
-	-	ORIGINAL DESIGN	07/26/16	ARON G



* = Operator includes 3x ARW1.2 and 1x ARW3.2
 ** = Switch Contacts include Contact element washer and two SC24 installation screws, if more than two contact blocks are used, additional screws must be purchased separately (SC45, SC65 or SC90)

ITEM	DESCRIPTION	CAT. NO.	FUNCTION	COLOR	MIN. QTY.	MAX. QTY.
1*	30 mm Selector Switch	AS2-2P	2 Position Maintained	Black	1	1
	Maintained & Momentary Metal	AS2-3P	3 Position Maintained	Black	1	1
	Operator	AS2-2PSR	2 Position Momentary	Black	1	1
2*	Rubber washer	ARW1.2/ARW3.2	-	Black	1	4
3	Panel	-	-	-	-	-
4**	Contact Element washer	-	-	Black	1	2
5**	Switch Contacts	S11	-	Red	1	2
6**	Switch Contacts	S12	-	Yellow	1	2
7**	Contact Block Installation Screws	SC25/SC45/SC65/SC90	-	-	2	2

UNLESS OTHERWISE SPECIFIED
 • ALL DIMENSIONS ARE IN MILLIMETERS
 • THIRD ANGLE PROJECTION

• TOLERANCE	
XX	± 1.00 mm
XX.X	± 0.50 mm
XX.XX	± 0.20 mm
ALL	± XX mm

C-RTM

This Drawing is the property of
Altech Corp.
 35 Royal Road
 Flemington NJ 08822-6000
 (908) 806-9400 • Fax (908) 806-9490

AND IS A CONFIDENTIAL DISCLOSURE LENT WITHOUT CONSIDERATION OTHER THAN THE BORROWER'S AGREEMENT THAT IT SHALL NOT BE REPRODUCED, COPIED, LENT, OR DISPOSED OF DIRECTLY OR INDIRECTLY NOR USED FOR ANY PURPOSE OTHER THAN THAT FOR WHICH IT IS SPECIFICALLY FURNISHED.

TITLE: 30mm Selector Switch Metal Operators
 Selector Maintained & Momentary

DRAWN BY: Aron Gyorgypal	07/26/16	DRAWING NO.:	M-Cad-1PB-ASx-xPxx	REV.:	-
CHECKED BY: Laszlo G	07/26/16	SCALE:		-	SHEET: 1
RELEASED BY: Laszlo G	07/26/16				