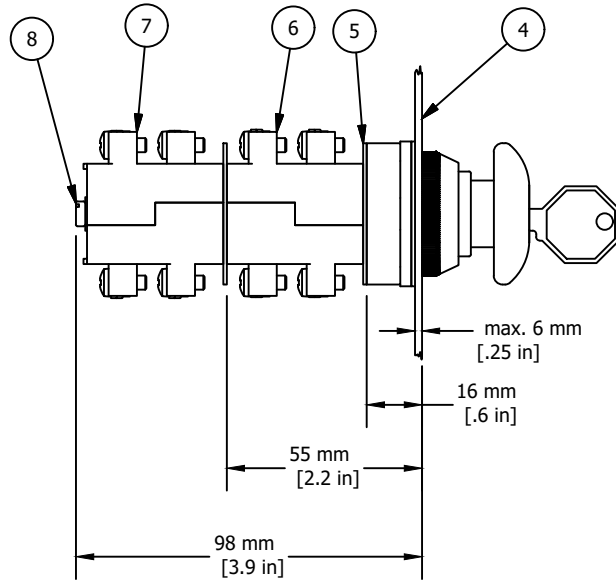
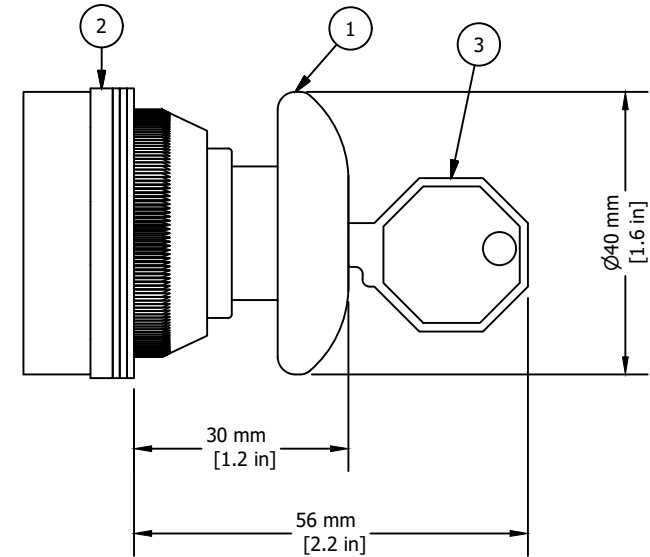
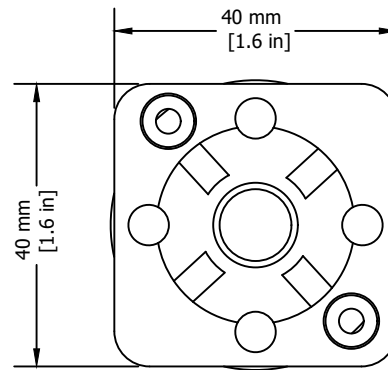
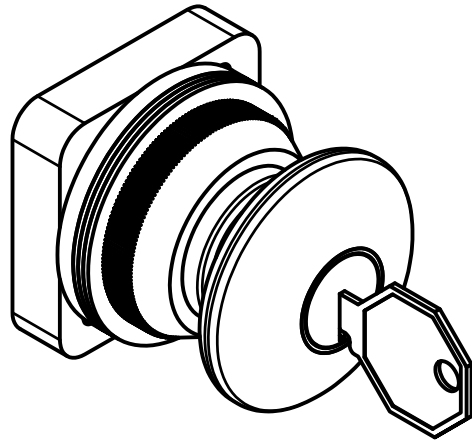


REVISIONS FOR DWG # AMLKBx

REV	CH.NO.	DESCRIPTION	DATE	REVISED BY
-	-	ORIGINAL DESIGN	07/26/16	ARON G



* = Operator includes 3x ARW1.2, 1x ARW3.2 and 1x Key
 ** = Switch Contacts include Contact element washer and two SC24 installation screws, if more than two contact blocks are used, additional screws must be purchased separately (SC45, SC65 or SC90)

ITEM	DESCRIPTION	CAT. NO.	COLOR	MIN. QTY.	MAX. QTY.
1*	30 mm Non-Illuminated Mushroom Metal Operator	AMLKB2	Black	1	1
		AMLKB4	Red	1	1
		AMKB2	Black	1	1
		AMKB4	Red	1	1
2*	Rubber washer	ARW1.2/ARW3.2	Black	1	4
3*	Key	-	-	1	1
4	Panel	-	-	-	-
5**	Contact Element washer	-	Black	1	2
6**	Switch Contacts	S11	Red	1	2
7**	Switch Contacts	S12	Yellow	1	2
8**	Contact Block Installation Screws	SC25/SC45/SC65/SC90	-	2	2

UNLESS OTHERWISE SPECIFIED
 • ALL DIMENSIONS ARE IN MILLIMETERS
 • THIRD ANGLE PROJECTION

• TOLERANCE	
XX	± 1.00 mm
XX.X	± 0.50 mm
XX.XX	± 0.20 mm
ALL	± XX mm

C-RTM

This Drawing is the property of

Altrech Corp.

35 Royal Road
 Flemington NJ 08822-6000
 (908) 806-9400 • Fax (908) 806-9490

AND IS A CONFIDENTIAL DISCLOSURE LENT WITHOUT CONSIDERATION OTHER THAN THE BORROWER'S AGREEMENT THAT IT SHALL NOT BE REPRODUCED, COPIED, LENT, OR DISPOSED OF DIRECTLY OR INDIRECTLY NOR USED FOR ANY PURPOSE OTHER THAN THAT FOR WHICH IT IS SPECIFICALLY FURNISHED.

TITLE: 30mm Non-Illuminated Metal Operators
 Mushroom with Key

DRAWN BY: Aron Gyorgypal	07/26/16
CHECKED BY: Laszlo G	07/26/16
RELEASED BY: Laszlo G	07/26/16

DRAWING NO.:	M-Cad-1PB-AMLKBx	REV.:	-
SCALE:	-	SHEET:	1 OF: 1