



### General Specification

- Fireproof plastic body
- Polycarbonate lens
- Base and wall-mount
- Water resistant
- Dust proof
- UV resistant
- LED design, no mechanical parts
- Long life
- 8 Different signal variations

### Technical Specification

- Operating Voltage: 12-24V AC/DC, 110V and 220V AC
- Current consumption: 3,4W (at 24 V DC by rotating mode)
- Operating temperature: -20 / +50 C°
- Storage temperature: -20 / +70 C°

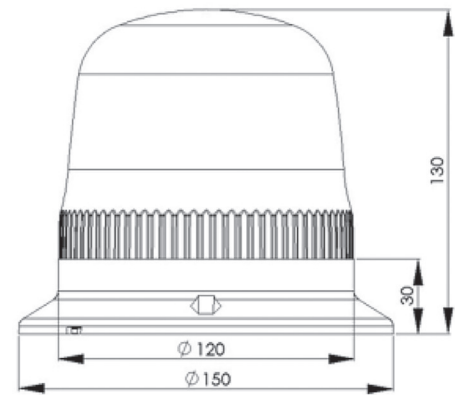
DIP Switch Position	1	2	3	4
Rotation 100 RPM	↑	↑	↑	X
One Flash	↑	↑	↓	X
Three Flashes	↑	↓	↑	X
Six Flashes	↑	↓	↓	X
Blink	↓	↑	↑	X
Continuous Flash*	↓	↑	↓	X
Right-Left Flash	↓	↓	↑	X
Rotation 160 RPM	↓	↓	↓	X

↑ = Up

↓ = Down

X = Not used

\* In 110V AC and 220V AC models, this mode is off.



Code	Light	Colour	Voltage
IT120R024	Led	●	12-24V AC/DC
IT120Y024	Led	●	12-24V AC/DC
IT120R220	Led	●	110-220V AC
IT120Y220	Led	●	110-220V AC