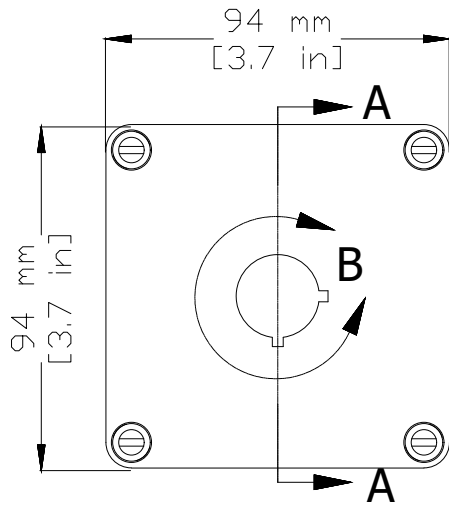
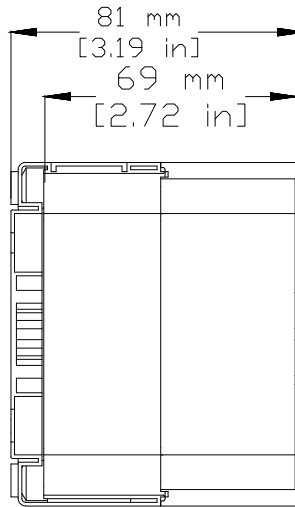


REVISIONS FOR DWG # 3E-3IS-PB-153-901

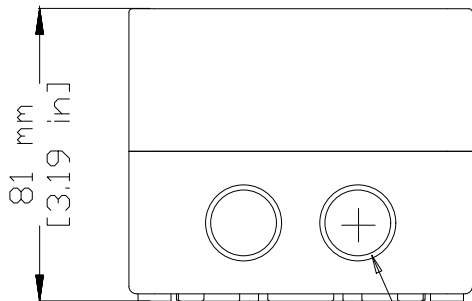
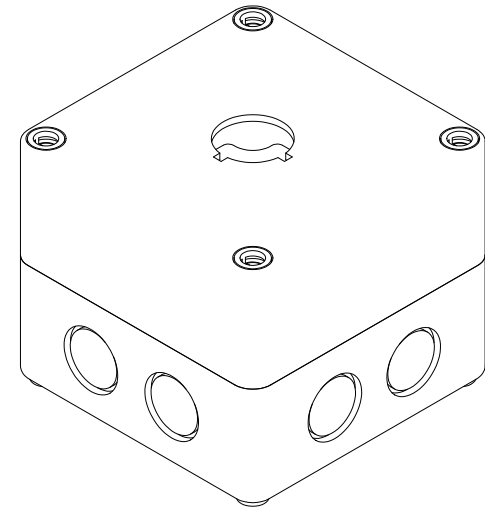
REV	CH.NO.	DESCRIPTION	DATE	REVISED BY
-	-	ORIGINAL DESIGN	07/25/16	ARON G



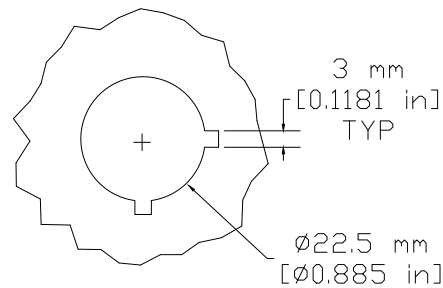
Top View



SECTION A-A

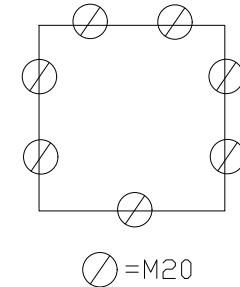


Side View M20



DETAIL B

Knockouts



UNLESS OTHERWISE SPECIFIED
 • ALL DIMENSIONS ARE IN MILLIMETERS
 • THIRD ANGLE PROJECTION

• TOLERANCE	
XX	1.00 mm
XX.X	0.50 mm
XX.XX	0.20 mm
ALL	XX mm

ORTHOM

This Drawing is the property of

Altrech Corp.

35 Royal Road
 Flemington NJ 08822-6000
 (908) 806-9400 • Fax (908) 806-9490

AND IS A CONFIDENTIAL DISCLOSURE LENT WITHOUT CONSIDERATION OTHER THAN THE BORROWER'S AGREEMENT THAT IT SHALL NOT BE REPRODUCED, COPIED, LENT, OR DISPOSED OF DIRECTLY OR INDIRECTLY NOR USED FOR ANY PURPOSE OTHER THAN THAT FOR WHICH IT IS SPECIFICALLY FURNISHED.

TITLE: 22mm Polycarbonate Enclosure
 One Hole Enclosure

DRAWN BY: Aron Gyorgypal	07/25/16	DRAWING NO.:	M-Cad-3E-3IS-PB-153-901	REV.:	-
CHECKED BY: JEFF R	07/25/16	SCALE:	-	SHEET:	1 OF: 1
RELEASED BY: Laszlo G	07/25/16				