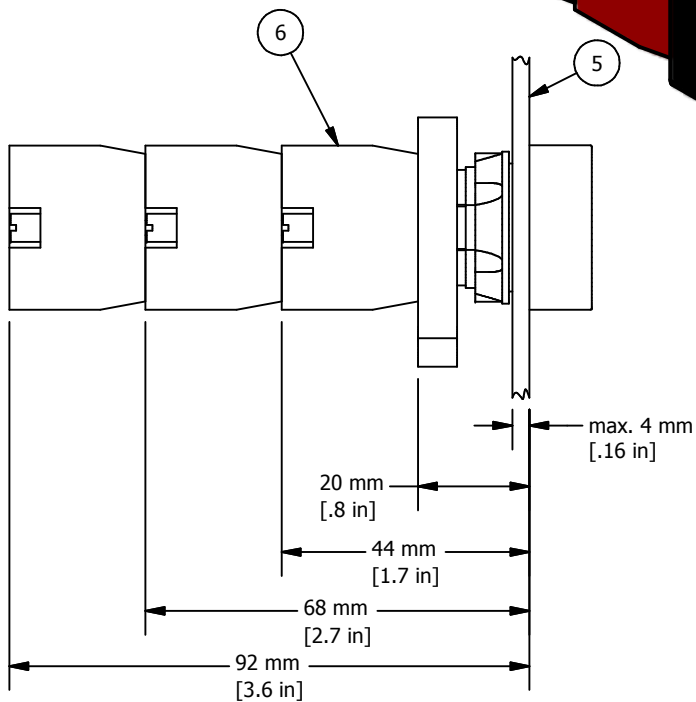
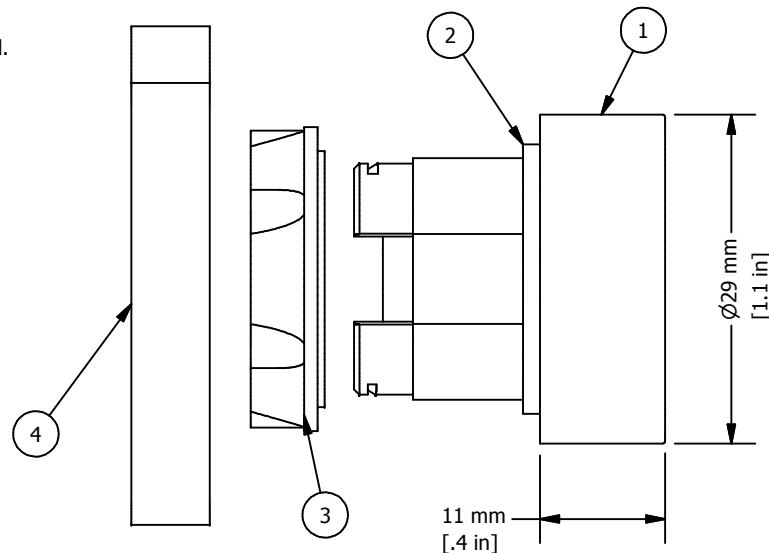
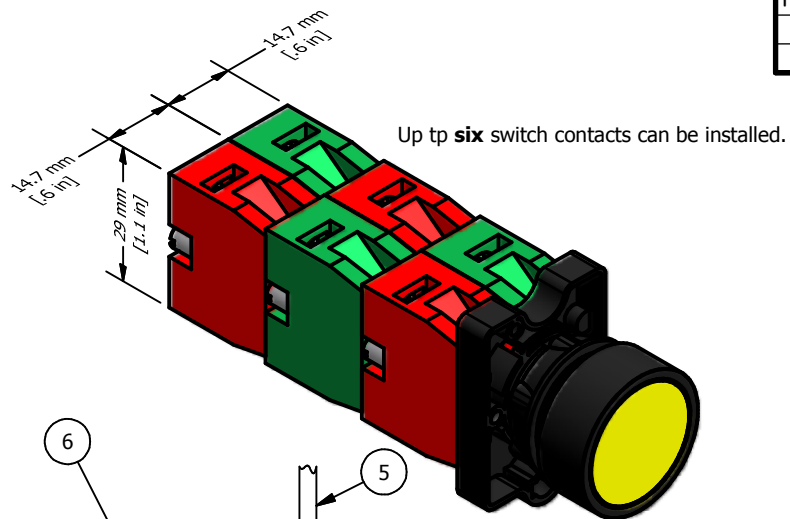


REVISION FOR DWG # 1PB-P2AFx

REV	CH.NO.	DESCRIPTION	DATE	REVISED BY
-	-	ORIGINAL DESIGN	11/5/2007	PHILIPP E.



* = Push button is supplied with rubber gasket, mounting nut and mounting bracket (ITEM 1,2,3 and 4)
 ** = Switch Contacts must be ordered separately

ITEM	DESCRIPTION	CAT. NO.	COLOR	MIN. QTY.	MAX. QTY.
1*	Plastic Flush Operator (Momentary)	P2AF1	White	1	1
		P2AF2	Black	1	1
		P2AF3	Green	1	1
		P2AF4	Red	1	1
		P2AF6	Blue	1	1
		P2AF7	Yellow	1	1
2*	Rubber Gasket	2PRG1	Black	1	1
3*	Mounting Nut	P2MN	Black	1	1
4*	Mounting Bracket	P2BRK	Black	1	1
5	Panel	-	-	-	-
5**	Switch Contacts	S1	Green	1	6
		S2	Red	1	6
		S3	Green/Gray	1	6
		S4	Red/Gray	1	6

UNLESS OTHERWISE SPECIFIED:
 • ALL DIMENSIONS ARE IN MILLIMETERS
 • THIRD ANGLE PROJECTION



This Drawing is the property of
Altech Corp.

35 Royal Road
 Flemington, NJ 08822-6000
 (908) 806-9400
 Fax (908) 806-9490

AND IS A CONFIDENTIAL DISCLOSURE
 WITHOUT THE CONSIDERATION OF THE
 BORROWER'S AGREEMENT THAT IT
 SHALL NOT BE REPRODUCED,
 COPIED, LENT OR DISPOSED OF
 DIRECTLY OR INDIRECTLY NOR
 USED FOR ANY PURPOSE OTHER
 THAN THAT FOR WHICH IT IS
 SPECIFICALLY FURNISHED.

TITEL 22 mm Thermoplastic Enclosure Flush Momentary Operator P2AFx (x=color)

DRAWN BY: Philipp Ernstberger	11/5/2007	DRAWING NO.:	REV.:
CHECKED BY: Laszlo Gyorgypal		1PB-P2AFx	-
RELEASED BY: Laszlo Gyorgypal		SCALE: -	SHEET: 1 OF: 1

TOLERANCE		
XX	=	±1 mm
XX.X	=	±0.5 mm
XX.XX	=	±0.2 mm
ALL	=	- mm

METRIC