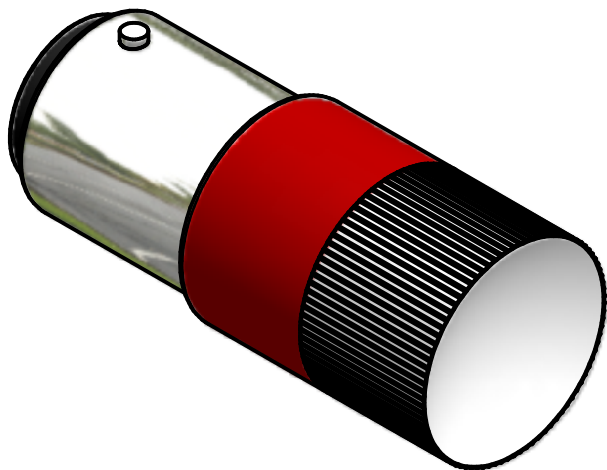


REVISION FOR DWG # 1PB-MCB15xxx

REV	CH.NO.	DESCRIPTION	DATE	REVISED BY
-	-	ORIGINAL DESIGN	11/21/2007	PHILIPP E.

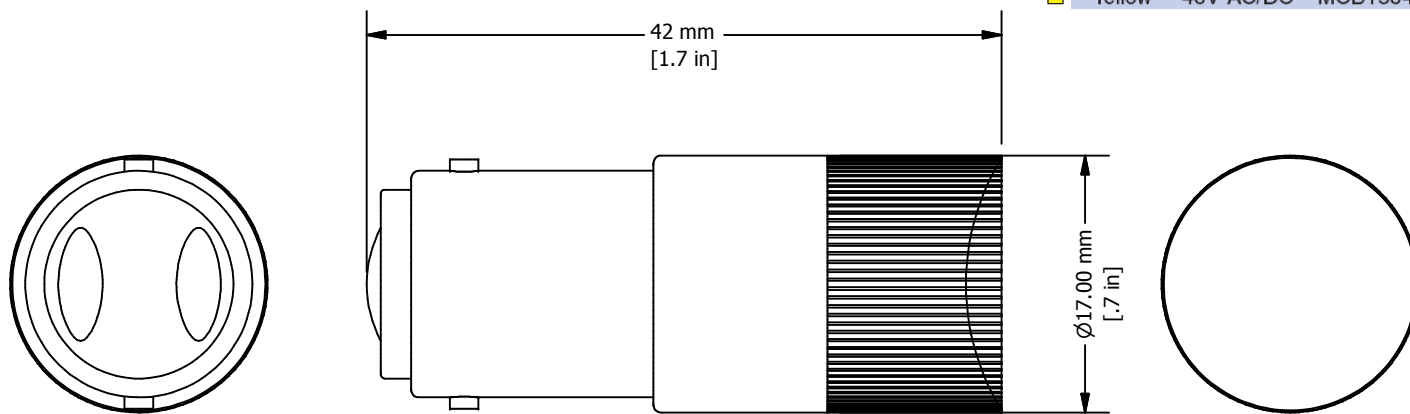


Replacement LED Bulbs

12V AC/DC			110V AC/DC		
Color	Voltage	Cat No.	Color	Voltage	Cat No.
<input type="checkbox"/> White	12V AC/DC	MCB15112	<input type="checkbox"/> White	110V AC/DC	MCB15110
<input checked="" type="checkbox"/> Green	12V AC/DC	MCB15312	<input checked="" type="checkbox"/> Green	110V AC/DC	MCB153110
<input checked="" type="checkbox"/> Red	12V AC/DC	MCB15412	<input checked="" type="checkbox"/> Red	110V AC/DC	MCB154110
<input checked="" type="checkbox"/> Amber	12V AC/DC	MCB15512	<input checked="" type="checkbox"/> Amber	110V AC/DC	MCB155110
<input checked="" type="checkbox"/> Blue	12V AC/DC	MCB15612	<input checked="" type="checkbox"/> Blue	110V AC/DC	MCB156110
<input checked="" type="checkbox"/> Yellow	12V AC/DC	MCB15812	<input checked="" type="checkbox"/> Yellow	110V AC/DC	MCB158110

24V AC/DC			230V AC		
Color	Voltage	Cat No.	Color	Voltage	Cat No.
<input type="checkbox"/> White	24V AC/DC	MCB15124	<input type="checkbox"/> White	230V AC	MCB151230
<input checked="" type="checkbox"/> Green	24V AC/DC	MCB15324	<input checked="" type="checkbox"/> Green	230V AC	MCB153230
<input checked="" type="checkbox"/> Red	24V AC/DC	MCB15424	<input checked="" type="checkbox"/> Red	230V AC	MCB154230
<input checked="" type="checkbox"/> Amber	24V AC/DC	MCB15524	<input checked="" type="checkbox"/> Amber	230V AC	MCB155230
<input checked="" type="checkbox"/> Blue	24V AC/DC	MCB15624	<input checked="" type="checkbox"/> Blue	230V AC	MCB156230
<input checked="" type="checkbox"/> Yellow	24V AC/DC	MCB15824	<input checked="" type="checkbox"/> Yellow	230V AC	MCB158230

48V AC/DC			230V DC		
Color	Voltage	Cat No.	Color	Voltage	Cat No.
<input type="checkbox"/> White	48V AC/DC	MCB15148	<input type="checkbox"/> White	230V DC	MCB151230D
<input checked="" type="checkbox"/> Green	48V AC/DC	MCB15348	<input checked="" type="checkbox"/> Green	230V DC	MCB153230D
<input checked="" type="checkbox"/> Red	48V AC/DC	MCB15448	<input checked="" type="checkbox"/> Red	230V DC	MCB154230D
<input checked="" type="checkbox"/> Amber	48V AC/DC	MCB15548	<input checked="" type="checkbox"/> Amber	230V DC	MCB155230D
<input checked="" type="checkbox"/> Blue	48V AC/DC	MCB15648	<input checked="" type="checkbox"/> Blue	230V DC	MCB156230D
<input checked="" type="checkbox"/> Yellow	48V AC/DC	MCB15848	<input checked="" type="checkbox"/> Yellow	230V DC	MCB158230D



UNLESS OTHERWISE SPECIFIED:
 • ALL DIMENSIONS ARE IN MILLIMETERS
 • THIRD ANGLE PROJECTION



This Drawing is the property of
Altech Corp.

35 Royal Road
 Flemington, NJ 08822-6000
 (908) 806-9400
 Fax (908) 806-9490

AND IS A CONFIDENTIAL DISCLOSURE
 WITHOUT THE BORROWER'S AGREEMENT THAT IT SHALL NOT BE REPRODUCED, COPIED, LENT OR DISPOSED OF DIRECTLY OR INDIRECTLY NOR USED FOR ANY PURPOSE OTHER THAN THAT FOR WHICH IT IS SPECIFICALLY FURNISHED.

TITEL 30 mm Replacment LED Bulbs

DRAWN BY: Philipp Ernstberger	11/21/2007	DRAWING NO.:	REV.:
CHECKED BY: Laszlo Gyorgypal	11/21/2007	1PB-MCB15xxx	-
RELEASED BY: Laszlo Gyorgypal	11/21/2007	SCALE: -	SHEET: 1 OF: 1