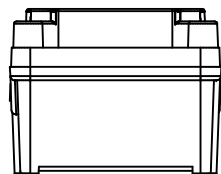
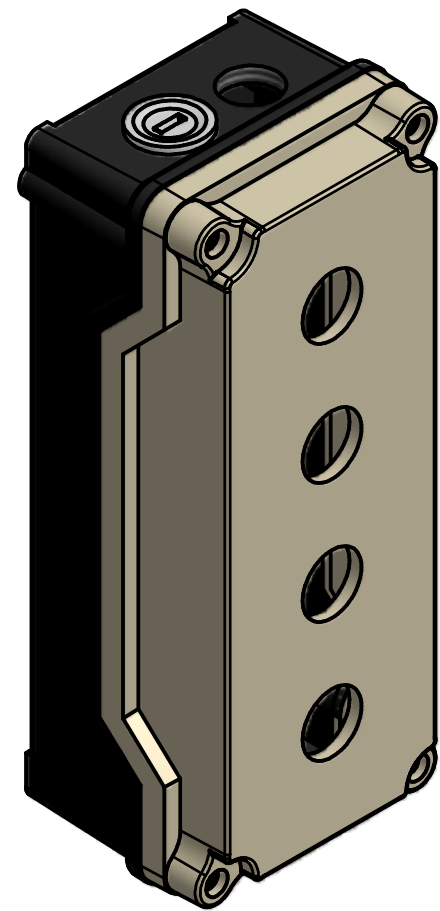
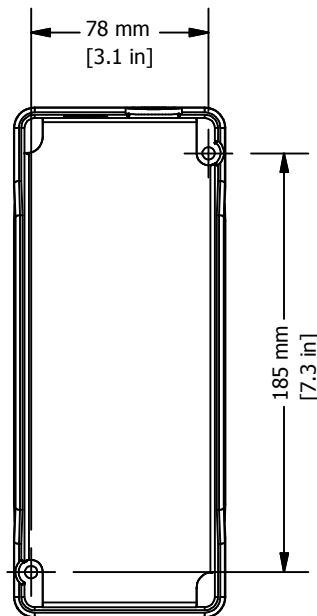
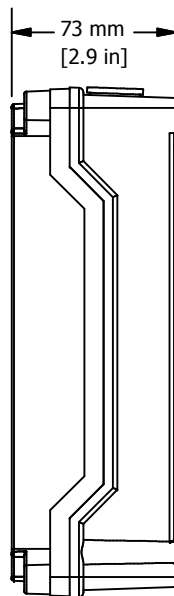
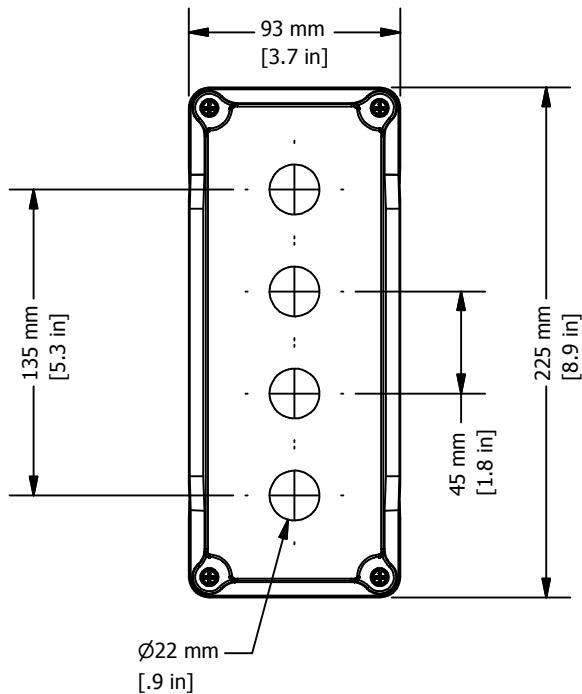
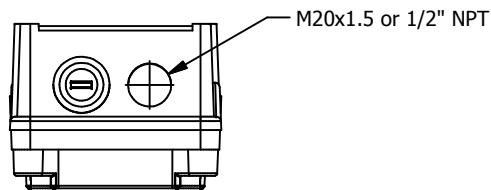


REVISION FOR DWG # 1PB-2005G13

REV	CH.NO.	DESCRIPTION	DATE	REVISED BY
-	-	ORIGINAL DESIGN	11/7/2007	PHILIPP E.



2 contact blocks can be used with an illuminated operator. 4 contact blocks can be used with any non-illuminated operator.

UNLESS OTHERWISE SPECIFIED:
 • ALL DIMENSIONS ARE IN MILLIMETERS
 • THIRD ANGLE PROJECTION



This Drawing is the property of
Altech Corp.

35 Royal Road
 Flemington, NJ 08822-6000
 (908) 806-9400
 Fax (908) 806-9490

AND IS A CONFIDENTIAL DISCLOSURE
 WITHOUT CONSIDERATION OTHER THAN THE
 BORROWER'S AGREEMENT THAT IT
 SHALL NOT BE REPRODUCED,
 COPIED, LENT OR DISPOSED OF
 DIRECTLY OR INDIRECTLY NOR
 USED FOR ANY PURPOSE OTHER
 THAN THAT FOR WHICH IT IS
 SPECIFICALLY FURNISHED.

TITEL 22 mm Aluminum Enclosure Gravity Die Cast 2005G13 (cable entry thread size: 2xM20) and 2009G13 (cable entry thread size: 2x1/2"-14 NPT)

TOLERANCE		
XX	=	±1 mm
XX.X	=	±0.5 mm
XX.XX	=	±0.2 mm
ALL	=	- mm

M
E
T
R
I
C

DRAWN BY: Philipp Ernstberger	11/7/2007	DRAWING NO.:	1PB-2005G13	REV.:	-
CHECKED BY: Laszlo Gyorgypal	11/7/2007	SCALE:	-	SHEET:	1
RELEASED BY: Laszlo Gyorgypal	11/7/2007			OF:	1