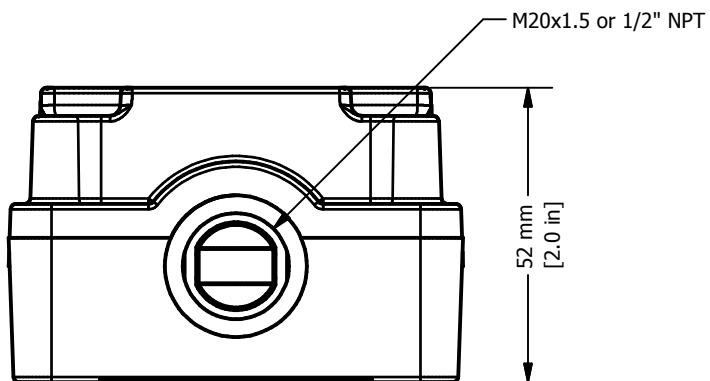
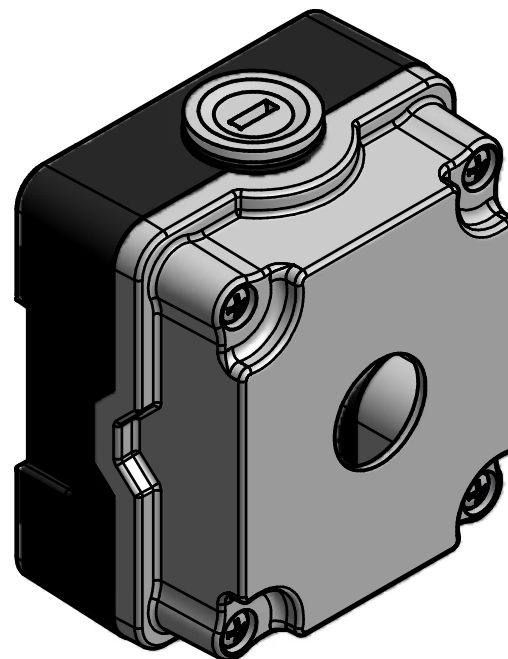
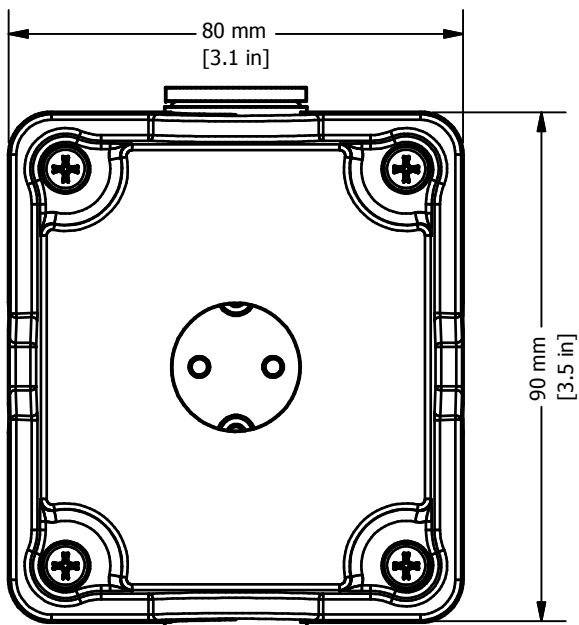


REVISION FOR DWG # 1PB-2005A13

REV	CH.NO.	DESCRIPTION	DATE	REVISED BY
-	-	ORIGINAL DESIGN	11/5/2007	PHILIPP E.



UNLESS OTHERWISE SPECIFIED:  
 • ALL DIMENSIONS ARE IN MILLIMETERS  
 • THIRD ANGLE PROJECTION



This Drawing is the property of

**Altech Corp.**

35 Royal Road  
 Flemington, NJ 08822-6000  
 (908) 806-9400  
 Fax (908) 806-9490

AND IS A CONFIDENTIAL DISCLOSURE  
 WITHOUT THE BORROWER'S AGREEMENT THAT IT SHALL NOT BE REPRODUCED, COPIED, LENT OR DISPOSED OF DIRECTLY OR INDIRECTLY NOR USED FOR ANY PURPOSE OTHER THAN THAT FOR WHICH IT IS SPECIFICALLY FURNISHED.

TITEL 22 mm Aluminum Enclosure 2005A13 (cable entry thread size: 2xM20) and 2015A13 (cable entry thread size: 2x1/2"-14 NPT)

TOLERANCE	
XX	= ±1 mm
XX.X	= ±0.5 mm
XX.XX	= ±0.2 mm
ALL	= - mm

METRIC

DRAWN BY:  
 Philipp Ernstberger

11/5/2007

CHECKED BY:  
 Laszlo Gyorgypal

11/6/2007

RELEASED BY:  
 Laszlo Gyorgypal

11/6/2007

DRAWING NO.:  
 1PB-2005A13

REV.:

-

SCALE: -

SHEET: 1

OF: 1