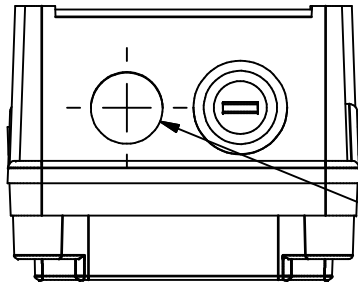
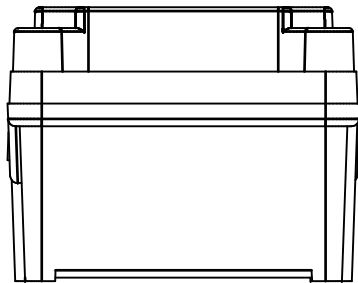
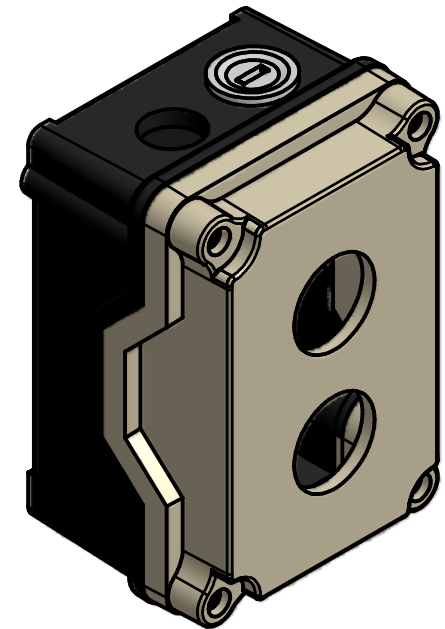
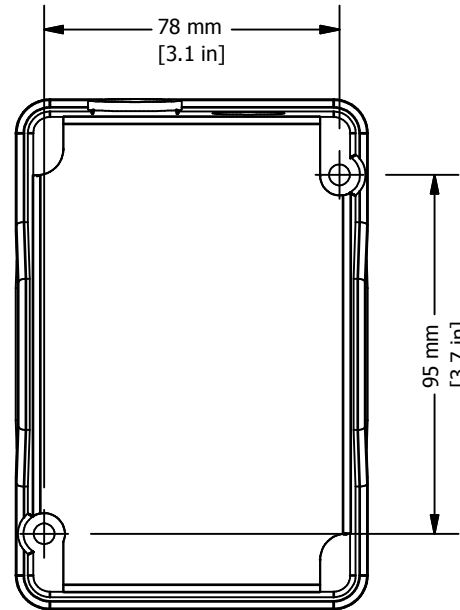
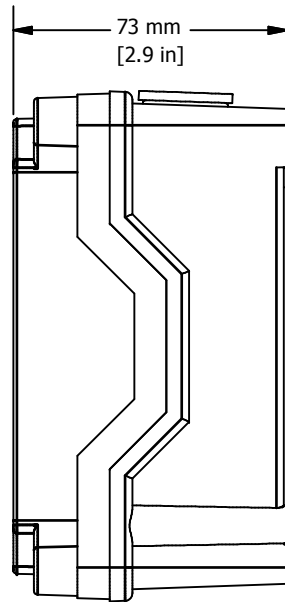
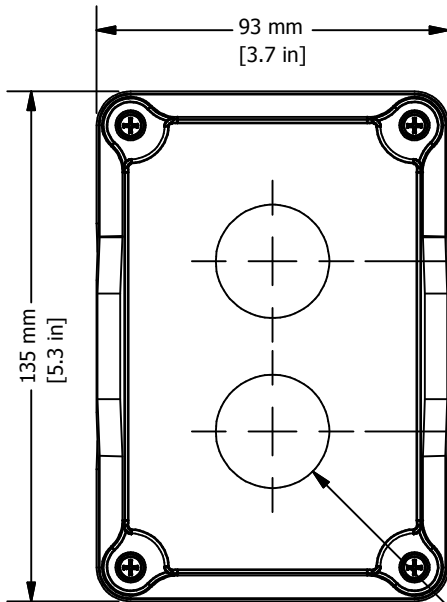


REVISION FOR DWG # 1PB-1004C13

REV	CH.NO.	DESCRIPTION	DATE	REVISED BY
-	-	ORIGINAL DESIGN	11/14/2007	PHILIPP E.



M20x1.5 or 1/2" NPT



2x Ø30.00 mm [1.2 in]

UNLESS OTHERWISE SPECIFIED:  
 • ALL DIMENSIONS ARE IN MILLIMETERS  
 • THIRD ANGLE PROJECTION



This Drawing is the property of

**Altrech Corp.**

35 Royal Road  
 Flemington, NJ 08822-6000  
 (908) 806-9400  
 Fax (908) 806-9490

AND IS A CONFIDENTIAL DISCLOSURE LENT WITHOUT CONSIDERATION OTHER THAN THE BORROWER'S AGREEMENT THAT IT SHALL NOT BE REPRODUCED, COPIED, LENT OR DISPOSED OF DIRECTLY OR INDIRECTLY NOR USED FOR ANY PURPOSE OTHER THAN THAT FOR WHICH IT IS SPECIFICALLY FURNISHED.

TITEL 30 mm Aluminum Enclosure 1004C13 and 1006C13

TOLERANCE		
XX	=	±1 mm
XX.X	=	±0.5 mm
XX.XX	=	±0.2 mm
ALL	=	- mm

METRIC

DRAWN BY: Philipp Ernstberger	11/14/2007	DRAWING NO.:	1PB-1004C13	REV.:	-
CHECKED BY: Laszlo Gyorgypal	11/14/2007	SCALE:	-	SHEET:	1
RELEASED BY: Laszlo Gyorgypal	11/14/2007			OF:	1