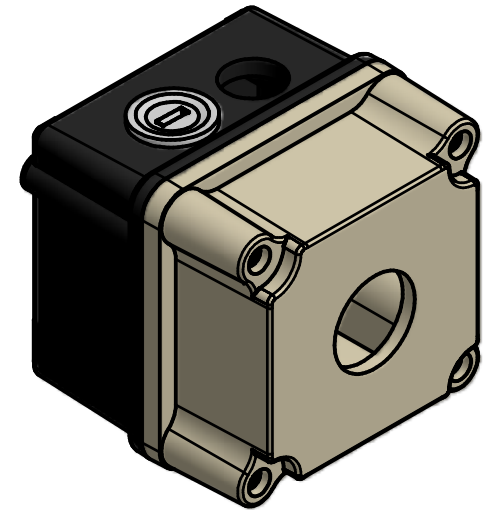
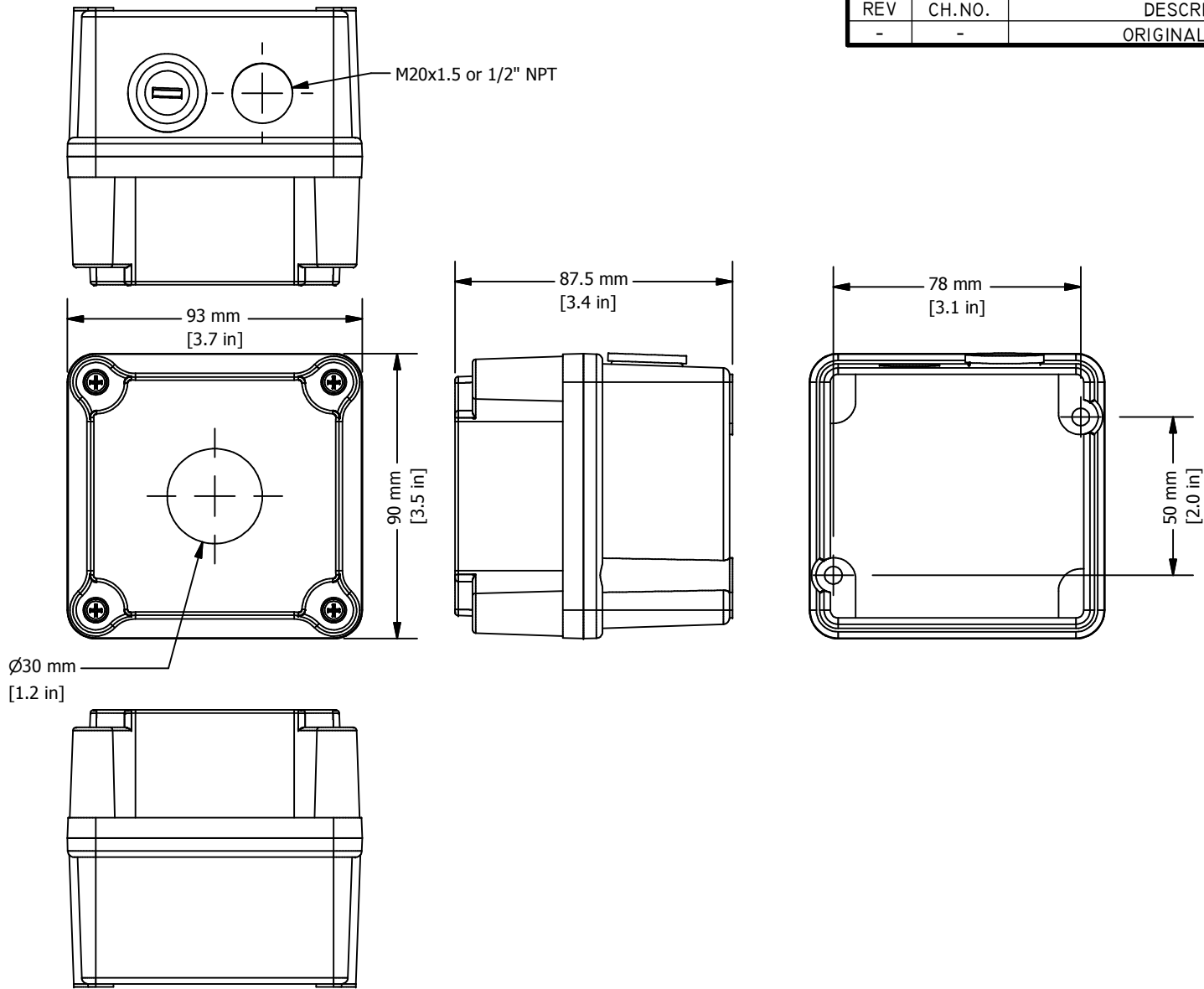


REVISION FOR DWG # 1PB-1003A13

REV	CH.NO.	DESCRIPTION	DATE	REVISED BY
-	-	ORIGINAL DESIGN	11/6/2007	PHILIPP E.



UNLESS OTHERWISE SPECIFIED:
 • ALL DIMENSIONS ARE IN MILLIMETERS
 • THIRD ANGLE PROJECTION



This Drawing is the property of
Altech Corp.

35 Royal Road
 Flemington, NJ 08822-6000
 (908) 806-9400
 Fax (908) 806-9490

AND IS A CONFIDENTIAL DISCLOSURE
 WITHOUT CONSIDERATION OTHER THAN THE
 BORROWER'S AGREEMENT THAT IT
 SHALL NOT BE REPRODUCED,
 COPIED, LENT OR DISPOSED OF
 DIRECTLY OR INDIRECTLY NOR
 USED FOR ANY PURPOSE OTHER
 THAN THAT FOR WHICH IT IS
 SPECIFICALLY FURNISHED.

TITEL 30 mm Aluminum Gravity Die Cast Enclosure 1003A13 (cable entry thread size: 2xM20) and 1005A13(cable entry thread size: 2x1/2"-14 NPT)

TOLERANCE	
XX	= ±1 mm
XX.X	= ±0.5 mm
XX.XX	= ±0.2 mm
ALL	= - mm

M
E
T
R
I
C

DRAWN BY: Philipp Ernstberger	11/6/2007	DRAWING NO.:	1PB-1003A13	REV.:	-
CHECKED BY: Laszlo Gyorgypal	11/21/2007	SCALE:	-	SHEET:	1
RELEASED BY: Laszlo Gyorgypal	11/21/2007			OF:	1