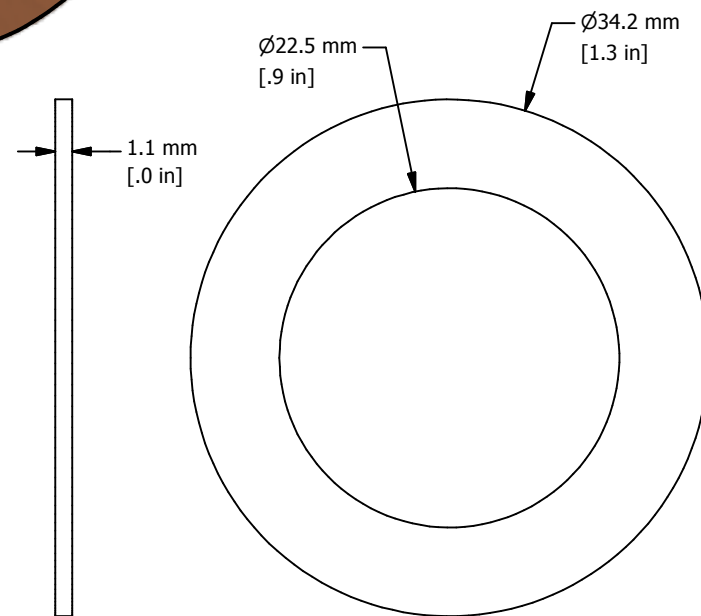
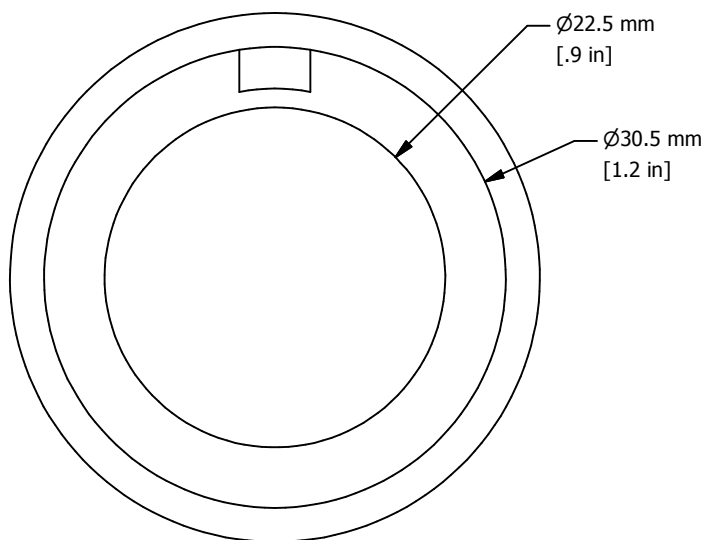
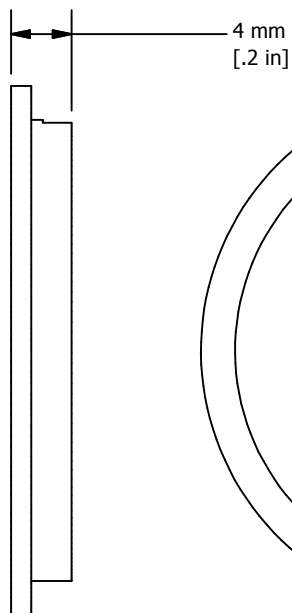
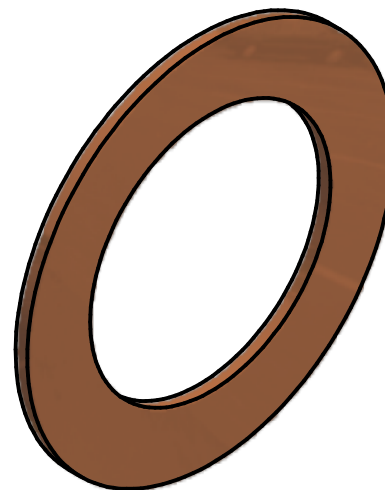
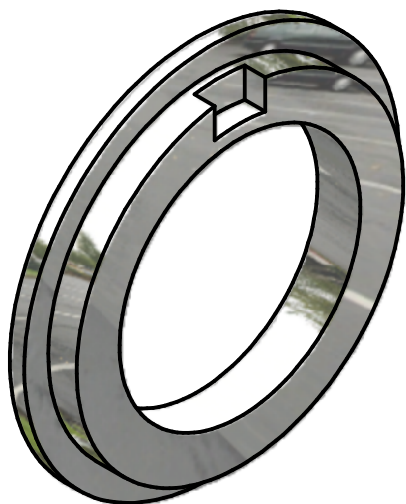


REVISION FOR DWG # 1PB-2ADP

REV	CH.NO.	DESCRIPTION	DATE	REVISED BY
-	-	ORIGINAL DESIGN	11/15/2007	PHILIPP E.



ADW (washer only)

UNLESS OTHERWISE SPECIFIED:  
 • ALL DIMENSIONS ARE IN MILLIMETERS  
 • THIRD ANGLE PROJECTION



This Drawing is the property of  
**Altrech Corp.**

35 Royal Road  
 Flemington, NJ 08822-6000  
 (908) 806-9400  
 Fax (908) 806-9490

M  
E  
T  
R  
I  
C

TOLERANCE  
 XX = ±1 mm  
 XX.X = ±0.5 mm  
 XX.XX = ±0.2 mm  
 ALL = - mm

AND IS A CONFIDENTIAL DISCLOSURE  
 WITHOUT CONSIDERATION OTHER THAN THE  
 BORROWER'S AGREEMENT THAT IT  
 SHALL NOT BE REPRODUCED,  
 COPIED, LENT OR DISPOSED OF  
 DIRECTLY OR INDIRECTLY NOR  
 USED FOR ANY PURPOSE OTHER  
 THAN THAT FOR WHICH IT IS  
 SPECIFICALLY FURNISHED.

TITEL Adapter for installing a 22.5 mm device in a 30.5 cutout 2ADP

DRAWN BY: Philipp Ernstberger	11/15/2007	DRAWING NO.:	1PB-2ADP	REV.:	-
CHECKED BY: Laszlo Gyorgypal	11/15/2007	SCALE:	-	SHEET:	1
RELEASED BY: Laszlo Gyorgypal	11/15/2007			OF:	1