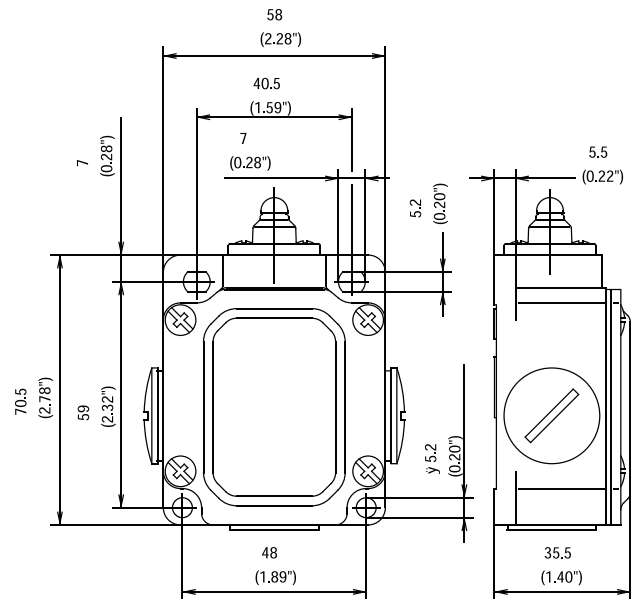


## SN2 Series



### Recommended use

With its three cable entries and large connection area, the SN2 limit switch is an ideal solution for series-wiring or branch circuits. The rugged metal body is designed to provide safety or position monitoring in harsh environments.

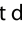
### Product advantages

- Protection class IP65 to VDE 0470 T1
- Enclosure: Aluminum pressure die-casting
- Cover: Sheet aluminum
- Actuator can be repositioned by 4 x 90°
- Cable entry 3x M20 x 1.5
- Connection designation conforming to DIN EN 50013
- Metal actuators for high loads
- Graduated adjustment of AH lever
- Selectable direction-dependent contact-making of AH actuator (basic setting: contact-making both sides)

### Options

- AS interface versions on request
- Preassembled with customer-specific cables and connectors on request

### Design layout

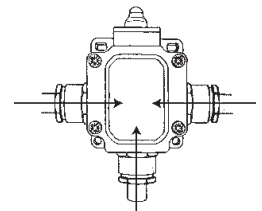
- Slow-action and snap-action contacts
- Versions: 1 NC / 1NO, 2 NC
- All NC contacts with  in the circuit diagram are positively opening contacts
- Type: Zb (galvanically isolated changeover contact)
- Latching function on request

### Mounting

- 2 adjustment slots for M5 screws
- 2 addition holes for M5 mounting screws in safety applications

### Installation advantages

- 3 cable entries for through-wiring
- Large internal connection space
- Screw connections with clamping plates
- Easy-to-change switching system thanks to snap-in retainer
- Finely adjustable switching point with adjusting screw

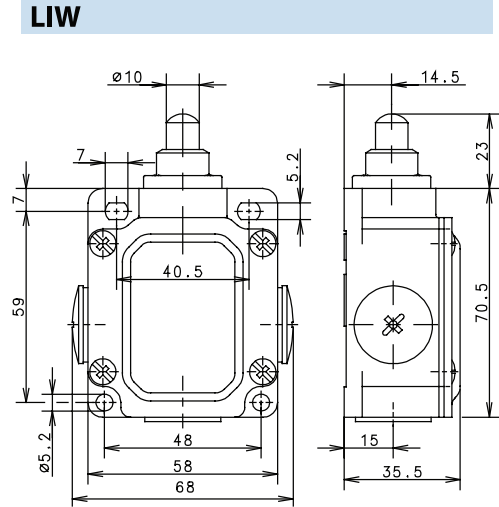
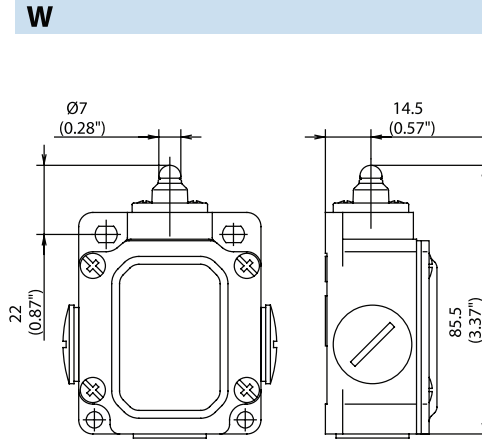


### Technical data

Electrical data		
Rated insulation voltage	U <sub>i</sub> max.	400 V AC
Conventional thermal current	I <sub>th</sub>	10 A
Rated operating voltage	U <sub>e</sub> max.	240 V
Utilization category	10 x 10 <sup>8</sup> switching cycles	
Short-circuit protection (up to) <sup>1</sup>	Fuse 10 A gL/gG	
Protection class	I	
Mechanical data		
Enclosure material	Aluminum pressure die-casting	
Ambient temperature	-30 °C to +80 °C	
Mechanical service life	10 x 10 <sup>8</sup> switching cycles	
B10d (up to) <sup>1</sup>	20 Mill.	
Switching frequency	max. 100/min.	
Type of connection	Screw connections	
Conductor cross sections	Single-wire 0.5 - 1.5 mm <sup>2</sup> or Stranded wire with ferrule 0.5 - 1.5 mm <sup>2</sup>	
Cable entry	3 x M20 x 1.5	
Protection class	IP65 conforming to EN 60529, DIN VDE 0470 T1	
Standards		
conforming to EN 60947-1; EN 60947-5-1		

<sup>1</sup> Depending on switching system. See Table in Technical Section.

**SN2 Series**



Switching Operation	Slow Action	Snap Action	Slow Action	Snap Action
<b>1 NC / 1 NO Contacts</b>	<b>603.3103.023</b> SN2-U1ZW 	<b>603.3353.016</b> SN2-SU1ZW 	<b>603.3194.022</b> SN2-SU1LIW 	
<b>2 NC Contacts</b>	-	-	-	-
<b>2 NO Contacts</b>	-	-	-	-
<b>1 NC / 1 NO Contacts Overlapping</b>	-	-	-	-

**Replacement actuator:** **391.3030.537** **391.2440.536**

Technical Information	Slow Action	Snap Action	Slow Action	Snap Action
	Maximum Switching Voltage	240V	240V	240V
Max. Switching Amps (up to)*	10A	10A	10A	10A
B10d (up to)*	20 Million	20 Million	20 Million	20 Million
Mechanical Service Life (up to)*	10 x 10 <sup>6</sup>	10 x 10 <sup>6</sup>	10 x 10 <sup>6</sup>	10 x 10 <sup>6</sup>
Switching Frequency	≤ 100/min	≤ 100/min	≤ 100/min	≤ 100/min
Operating Temperature	-30 °C to +80 °C	-30 °C to +80 °C	-30 °C to +80 °C	-30 °C to +80 °C
Protection Rating	IP65	IP65	IP65	IP65
Utilization Category (up to)*	AC-15, Ue/Ue 240V 3A	AC-15, Ue/Ue 240V 3A	AC-15, Ue/Ue 240V 3A	AC-15, Ue/Ue 240V 3A
Rate Insulation Voltage	400VAC	400VAC	400VAC	400VAC

Approvals \* Depending on switching system - see technical information for details



**Special features/variants** (on request)

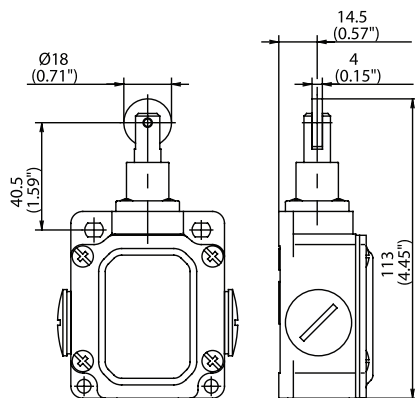
- Telescopic plunger, very long actuation travel of 9 mm

*Drawing dimensions in mm*

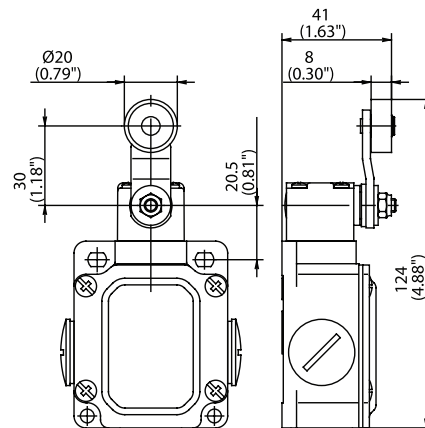
**SN2 Series**



**RIW**



**AHS**



Switching Operation	Slow Action	Snap Action	Slow Action	Snap Action
<b>1 NC / 1 NO Contacts</b>	<b>603.3117.025</b> SN2-U1Z RIW 	<b>603.3367.017</b> SN2-SU1Z RIW 	<b>603.3135.002</b> SN2-U1Z AHS 	<b>603.3385.018</b> SN2-SU1Z AHS 
<b>2 NC Contacts</b>	<b>603.3818.038</b> SN2-A2Z RIW 	-	-	-
<b>2 NO Contacts</b>	-	-	-	-
<b>1 NC / 1 NO Contacts Overlapping</b>	-	-	-	-

Replacement actuator:

**391.8170.587**

**391.3351.913**

**Technical Information**

	Slow Action	Snap Action	Slow Action	Snap Action
Maximum Switching Voltage	240V	240V	240V	240V
Max. Switching Amps (up to)*	10A	10A	10A	10A
B10d (up to)*	20 Million	20 Million	20 Million	20 Million
Mechanical Service Life (up to)*	3 x 10 <sup>6</sup>	10 x 10 <sup>6</sup>	10 x 10 <sup>6</sup>	10 x 10 <sup>6</sup>
Switching Frequency	≤ 100/min	≤ 100/min	≤ 100/min	≤ 100/min
Operating Temperature	-30 °C to +80 °C	-30 °C to +80 °C	-30 °C to +80 °C	-30 °C to +80 °C
Protection Rating	IP65	IP65	IP65	IP65
Utilization Category (up to)*	AC-15, Ue/Ue 240V 3A	AC-15, Ue/Ue 240V 3A	AC-15, Ue/Ue 240V 3A	AC-15, Ue/Ue 240V 3A
Rate Insulation Voltage	400VAC	400VAC	400VAC	400VAC

Approvals

\* Depending on switching system - see technical information for details



**Special features/variants** (on request)

- Available with different actuating directions
- With latching function

**Special features/variants** (on request)

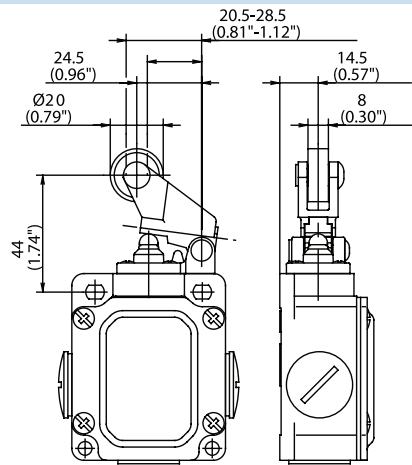
- Available with different actuating directions

Drawing dimensions in mm

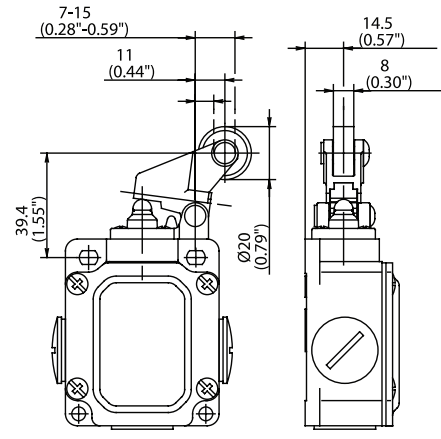
**SN2 Series**



**DGHW**



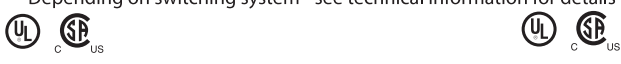
**DGKW**



Switching Operation	Slow Action	Snap Action	Slow Action	Snap Action
<b>1 NC / 1 NO Contacts</b>	<b>603.3121.005</b> SN2-U1Z DGHW 	<b>603.3371.004</b> SN2-SU1Z DGHW 	<b>603.3127.010</b> SN2-U1Z DGKW 	<b>603.3377.011</b> SN2-SU1Z DGKW 
<b>2 NC Contacts</b>	-	-	-	-
<b>2 NO Contacts</b>	-	-	-	-
<b>1 NC / 1 NO Contacts Overlapping</b>	-	-	-	-

Replacement actuator:	391.8211.656		391.8271.655	
	Slow Action	Snap Action	Slow Action	Snap Action
Maximum Switching Voltage	240V	240V	240V	240V
Max. Switching Amps (up to)*	10A	10A	10A	10A
B10d (up to)*	20 Million	20 Million	20 Million	20 Million
Mechanical Service Life (up to)*	10 x 10 <sup>6</sup>	10 x 10 <sup>6</sup>	10 x 10 <sup>6</sup>	10 x 10 <sup>6</sup>
Switching Frequency	≤ 100/min	≤ 100/min	≤ 100/min	≤ 100/min
Operating Temperature	-30 °C to +80 °C	-30 °C to +80 °C	-30 °C to +80 °C	-30 °C to +80 °C
Protection Rating	IP65	IP65	IP65	IP65
Utilization Category (up to)*	AC-15, Ue/Ue 240V 3A	AC-15, Ue/Ue 240V 3A	AC-15, Ue/Ue 240V 3A	AC-15, Ue/Ue 240V 3A
Rate Insulation Voltage	400VAC	400VAC	400VAC	400VAC

Approvals \* Depending on switching system - see technical information for details



**Special features/variants (on request)**

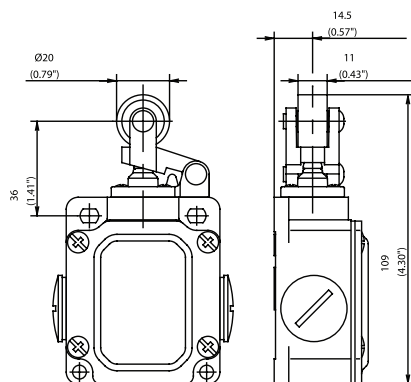
- Telescopic plunger, very long actuation travel of 9 mm

*Drawing dimensions in mm*

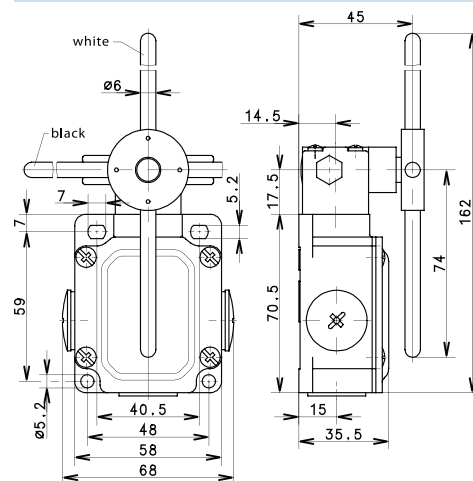
**SN2 Series**

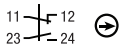
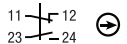
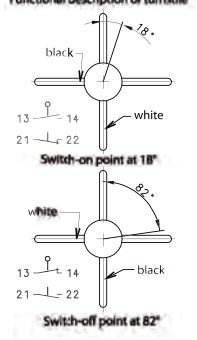


**HW**



**AD4K**



Switching Operation	Slow Action	Snap Action	Slow Action	Snap Action
<b>1 NC / 1 NO Contacts</b>	<b>603.3121.007</b> SN2-U1Z HW 	<b>603.3371.006</b> SN2-SU1Z HW 	<b>613.3887.022</b> SN2-SA2Z AD4K Functional description of turnstile 	
<b>2 NC Contacts</b>	-	-	-	-
<b>2 NO Contacts</b>	-	-	-	-
<b>1 NC / 1 NO Contacts Overlapping</b>	-	-	-	-

Replacement actuator:

**391.3210.553**

**Technical Information**

	Slow Action	Snap Action	Slow Action	Snap Action
Maximum Switching Voltage	240V	240V	240V	240V
Max. Switching Amps (up to)*	10A	10A	10A	10A
B10d (up to)*	20 Million	20 Million	20 Million	20 Million
Mechanical Service Life (up to)*	3 x 10 <sup>6</sup>	10 x 10 <sup>6</sup>	10 x 10 <sup>6</sup>	10 x 10 <sup>6</sup>
Switching Frequency	≤ 100/min	≤ 100/min	≤ 100/min	≤ 100/min
Operating Temperature	-30 °C to +80 °C	-30 °C to +80 °C	-30 °C to +80 °C	-30 °C to +80 °C
Protection Rating	IP65	IP65	IP65	IP65
Utilization Category (up to)*	AC-15, Ue/Ue 240V 3A	AC-15, Ue/Ue 240V 3A	AC-15, Ue/Ue 240V 3A	AC-15, Ue/Ue 240V 3A
Rate Insulation Voltage	400VAC	400VAC	400VAC	400VAC

Approvals

\* Depending on switching system - see technical information for details



**Special features/variants** (on request)

- Available with different actuating directions

Drawing dimensions in mm