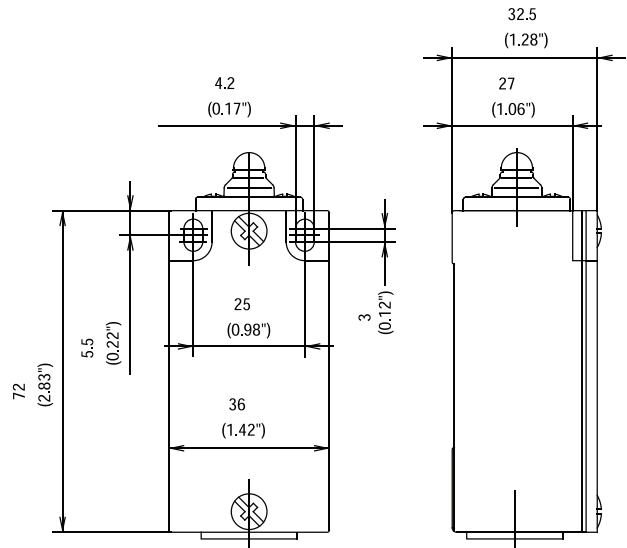


GC Series



Recommended use

Thanks to its compact design, this metal-enclosed switch is ideally suited for safety and position monitoring applications.


Product advantages

- Protection class IP65 to VDE 0470 T1
- Enclosure: Aluminum pressure die-casting
- Cover: Sheet aluminum
- Actuator can be repositioned by 4 x 90°
- Cable entry M20 x 1.5
- Connection designation conforming to DIN EN 50013
- Metal actuators for high loads
- Graduated adjustment of AH lever
- Selectable direction-dependent contact-making of AH actuator (basic setting: contact-making both sides)

Options

- AS interface versions on request
- Preassembled with customer-specific cables and connectors on request

Design layout

- Slow-action and snap-action contacts
- Versions: 1 NC/1NO, 2 NC/2 NO, 2 NC, overlapping contacts
- All NC contacts marked with  symbol in the circuit diagram are positively opening
- Type: Zb (galvanically isolated changeover contact)
- Latching function on request

Mounting

- 2 adjustment slots for M4 screws (for safety applications with blind hole for \varnothing 4.0 mm fitted pin in enclosure base or enclosure with holes for M5)

Installation advantages

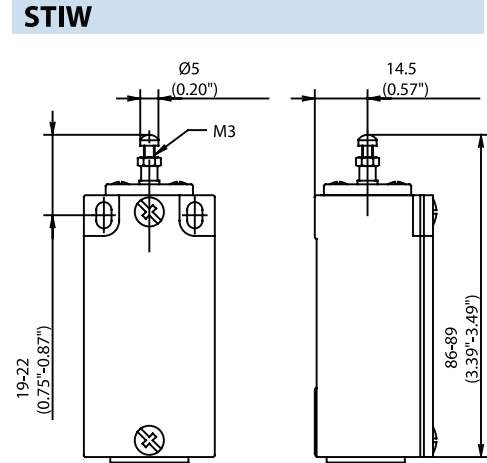
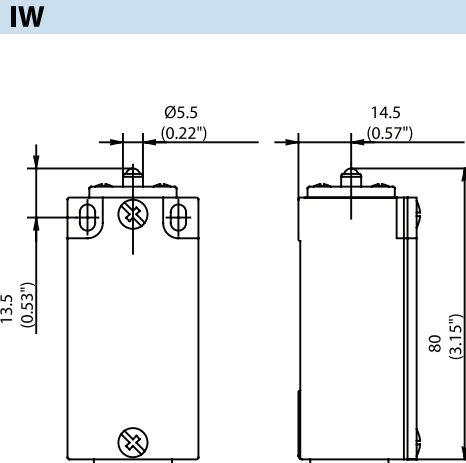
- Screw connections with clamping plates
- Captive cover screws
- Easy-to-change switching system thanks to snap-in retainer
- Finely adjustable switching point with adjusting screw

Technical data

Electrical data	
Rated insulation voltage (up to) ¹	U _i max. 400 V AC
Conventional thermal current (up to) ¹	I _{thc} 10 A
Rated operating voltage	U _e max. 240 V
Utilization category (up to) ¹	AC-15, U _e /I _c 240 V/3 A
Short-circuit protection (up to) ¹	Fuse 10 A gL/gG
Protection class	I
Mechanical data	
Enclosure material	Aluminum pressure die-casting
Ambient temperature	-30 °C to +80 °C
Mechanical service life (up to) ¹	10 x 10 ⁶ switching cycles
B10d (up to) ¹	20 Mill.
Switching frequency	≤ 100/min.
Type of connection	Screw connections
Conductor cross sections	Single-wire 0.5 - 1.5 mm ² or Stranded wire with ferrule 0.5 - 1.5 mm ²
Cable entry	1 x M20 x 1.5
Protection class	IP65 conforming to IEC/EN 60529
Standards	
VDE 0660 T100, DIN EN 60947-1, IEC 60947-1	
VDE 0660 T200, DIN EN 60947-5-1, IEC 60947-5-1	

¹ Depending on switching system.

GC Series



Switching Operation	Slow Action	Snap Action	Slow Action	Snap Action
1 NC / 1 NO Contacts	602.1102.001 GC-U1Z IW 	602.1352.620 GC-SU1Z IW 	602.1105.015 GC-U1Z STIW 	602.1155.017 GC-SU1Z STIW
2 NC Contacts	602.1802.189 GC-A2Z IW 	-	-	-
2 NO Contacts	-	-	-	-
1 NC / 1 NO Contacts Overlapping	-	-	602.1305.016 GC-UV1Z STIW 	-

Replacement actuator:	391.2030.546		391.2050.523	
Technical Information	Slow Action	Snap Action	Slow Action	Snap Action
Maximum Switching Voltage	240V	240V	240V	240V
Max. Switching Amps (up to)*	10A	10A	10A	10A
B10d (up to)*	20 Million	20 Million	20 Million	20 Million
Mechanical Service Life (up to)*	10 x 10 ⁶	10 x 10 ⁶	10 x 10 ⁶	10 x 10 ⁶
Switching Frequency	≤ 100/min	≤ 100/min	≤ 100/min	≤ 100/min
Operating Temperature	-30 °C to +80 °C	-30 °C to +80 °C	-30 °C to +80 °C	-30 °C to +80 °C
Protection Rating	IP65	IP65	IP65	IP65
Utilization Category (up to)*	AC-15, Ue/Ue 240V 3A	AC-15, Ue/Ue 240V 3A	AC-15, Ue/Ue 240V 3A	AC-15, Ue/Ue 240V 3A
Rate Insulation Voltage	400VAC	400VAC	400VAC	400VAC

* Depending on switching system - see technical information for details

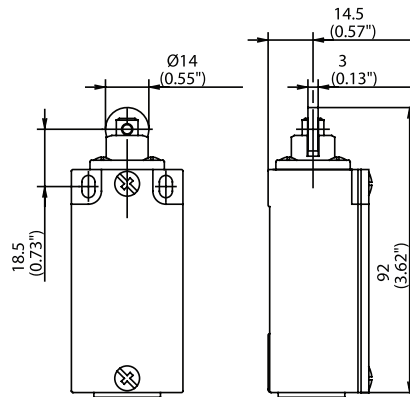
Special features/variants (on request)
 ● Actuator length adjustable with adjusting screw

Drawing dimensions in mm

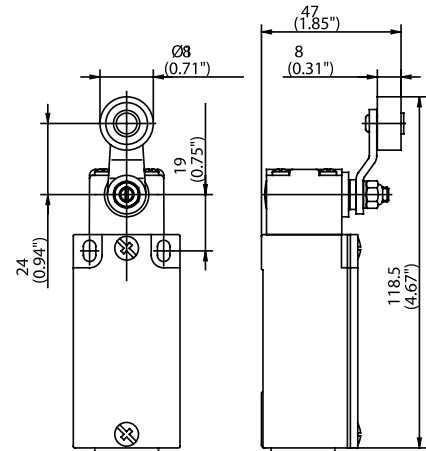
GC Series



RIW



AH

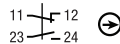


Switching Operation

1 NC / 1 NO Contacts

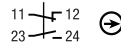
Slow Action

602.1117.029
GC-U1Z RIW



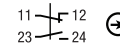
Snap Action

602.1367.626
GC-SU1Z RIW



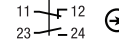
Slow Action

602.1135.102
GC-U1Z AH



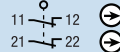
Snap Action

602.1385.634
GC-SU1Z AH



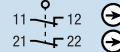
2 NC Contacts

602.1817.172
GC-A2Z RIW



-
-

612.1835.833
GC-A2Z AHS



-
-

2 NO Contacts

602.1817.154
GC-E2 RIW



-
-

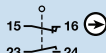
602.1835.160
GC-E2 AH



-
-

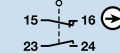
1 NC / 1 NO Contacts Overlapping

602.1317.030
GC-UV1Z RIW



-
-

602.1335.133
GC-UV1Z AH



-
-

Replacement actuator:

391.2170.518

391.2350.722

Technical Information

	Slow Action	Snap Action
Maximum Switching Voltage	240V	240V
Max. Switching Amps (up to)*	10A	10A
B10d (up to)*	20 Million	20 Million
Mechanical Service Life (up to)*	3 x 10 ⁶	10 x 10 ⁶
Switching Frequency	≤ 100/min	≤ 100/min
Operating Temperature	-30 °C to +80 °C	-30 °C to +80 °C
Protection Rating	IP65	IP65
Utilization Category (up to)*	AC-15, Ue/Ue 240V 3A	AC-15, Ue/Ue 240V 3A
Rate Insulation Voltage	400VAC	400VAC

Approvals

* Depending on switching system - see technical information for details



Special features/variants (on request)

- Available for high temperature range and following contacts:
2 NC / 1 NO contact (larger enclosure)
2 NC / 2 NO contact (larger enclosure)

Special features/variants (on request)

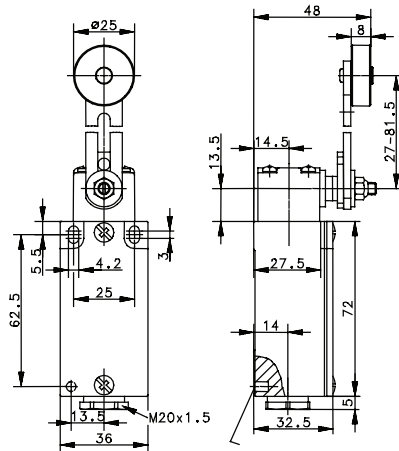
- Available with different roller diameters, bent or straight lever and with different lever lengths

Drawing dimensions in mm

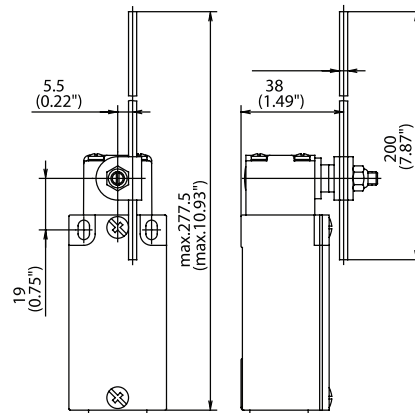
GC Series



AV



AD



Switching Operation	Slow Action	Snap Action	Slow Action	Snap Action
1 NC / 1 NO Contacts	602.1136.104 GC-U1 AV 	602.1186.118 GC-SU1 AV 	602.1137.103 GC-U1 AD 	602.1187.125 GC-SU1 AD
2 NC Contacts	-	-	-	-
2 NO Contacts	-	-	-	-
1 NC / 1 NO Contacts Overlapping	-	-	-	-

Replacement actuator: **391.2360.723** **391.2370.724**

Technical Information	Slow Action	Snap Action	Slow Action	Snap Action
Maximum Switching Voltage	240V	240V	240V	240V
Max. Switching Amps (up to)*	10A	10A	10A	10A
B10d (up to)*	20 Million	20 Million	20 Million	20 Million
Mechanical Service Life (up to)*	10 x 10 ⁶	10 x 10 ⁶	10 x 10 ⁶	10 x 10 ⁶
Switching Frequency	≤ 100/min	≤ 100/min	≤ 100/min	≤ 100/min
Operating Temperature	-30 °C to +80 °C	-30 °C to +80 °C	-30 °C to +80 °C	-30 °C to +80 °C
Protection Rating	IP65	IP65	IP65	IP65
Utilization Category (up to)*	AC-15, Ue/Ue 240V 3A	AC-15, Ue/Ue 240V 3A	AC-15, Ue/Ue 240V 3A	AC-15, Ue/Ue 240V 3A
Rate Insulation Voltage	400VAC	400VAC	400VAC	400VAC

Approvals * Depending on switching system - see technical information for details

- Special features/variants** (on request)
- Different roller diameters and lever lengths
 - With roller over switch and with 2 NC / 2 NO contact

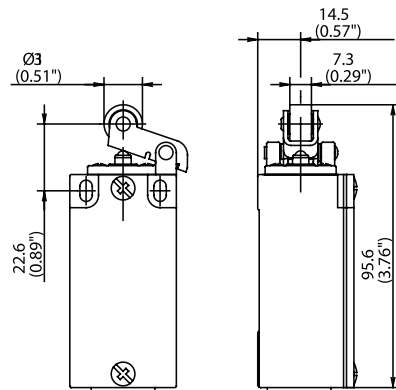
- Special features/variants** (on request)
- Available different actuator lengths and actuator directions
 - With 2 NC / 1 NO with overlap contacts (larger enclosure)

Drawing dimensions in mm

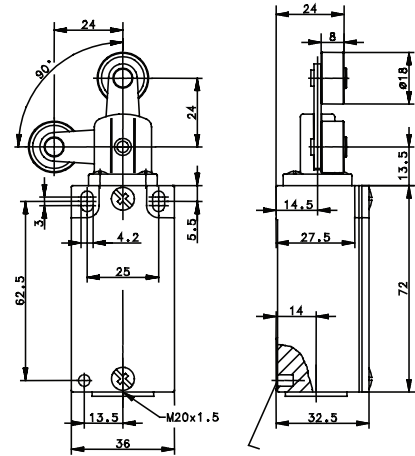
GC Series

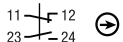
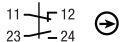
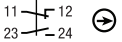
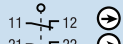
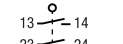
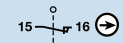


HIW



DR



Switching Operation	Slow Action	Snap Action	Slow Action	Snap Action
1 NC / 1 NO Contacts	602.1120.057 GC-U1Z HIW 	602.1370.629 GC-SU1Z HIW 	-	602.1191.099 GC-SU1Z DR 
2 NC Contacts	602.1820.175 GC-A2Z HIW 	-	-	-
2 NO Contacts	602.1820.157 GC-E2 HIW 	-	-	-
1 NC / 1 NO Contacts Overlapping	602.1320.058 GC-UV1Z HIW 	-	-	-
Replacement actuator:	391.2200.552		391.2410.593	

Technical Information	Slow Action	Snap Action	Slow Action	Snap Action
Maximum Switching Voltage	240V	240V	240V	240V
Max. Switching Amps (up to)*	10A	10A	10A	10A
B10d (up to)*	20 Million	20 Million	20 Million	20 Million
Mechanical Service Life (up to)*	3 x 10 ⁶	10 x 10 ⁶	10 x 10 ⁶	10 x 10 ⁶
Switching Frequency	≤ 100/min	≤ 100/min	≤ 100/min	≤ 100/min
Operating Temperature	-30 °C to +80 °C	-30 °C to +80 °C	-30 °C to +80 °C	-30 °C to +80 °C
Protection Rating	IP65	IP65	IP65	IP65
Utilization Category (up to)*	AC-15, Ue/Ue 240V 3A	AC-15, Ue/Ue 240V 3A	AC-15, Ue/Ue 240V 3A	AC-15, Ue/Ue 240V 3A
Rate Insulation Voltage	400VAC	400VAC	400VAC	400VAC

* Depending on switching system - see technical information for details



Special features/variants (on request)

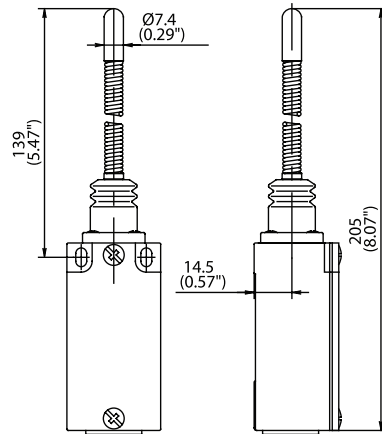
- Available with different actuator directions, steel roller and additional contacts:
- 2 NC / 1 NO overlapping contact (larger enclosure)
- 2 NC / 2 NO contact (larger enclosure)

Drawing dimensions in mm

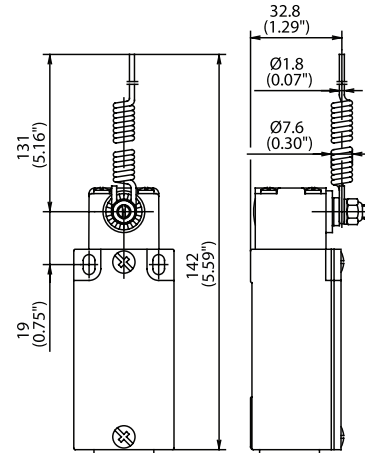
GC Series



FF



AF



Switching Operation	Slow Action	Snap Action	Slow Action	Snap Action
1 NC / 1 NO Contacts	602.1140.476 GC-U1 FF 	602.1190.100 GC-SU1 FF 	602.1139.106 GC-U1 AF 	602.1189.128 GC-SU1 AF
2 NC Contacts	-	-	-	-
2 NO Contacts	-	-	-	-
1 NC / 1 NO Contacts Overlapping	-	-	-	-

Replacement actuator: **391.2400.510** **391.2390.725**

Technical Information	Slow Action	Snap Action	Slow Action	Snap Action
Maximum Switching Voltage	240V	240V	240V	240V
Max. Switching Amps (up to)*	10A	10A	10A	10A
B10d (up to)*	20 Million	20 Million	20 Million	20 Million
Mechanical Service Life (up to)*	10 x 10 ⁶	10 x 10 ⁶	10 x 10 ⁶	10 x 10 ⁶
Switching Frequency	≤ 100/min	≤ 100/min	≤ 100/min	≤ 100/min
Operating Temperature	-30 °C to +80 °C	-30 °C to +80 °C	-30 °C to +80 °C	-30 °C to +80 °C
Protection Rating	IP65	IP65	IP65	IP65
Utilization Category (up to)*	AC-15, Ue/Ue 240V 3A	AC-15, Ue/Ue 240V 3A	AC-15, Ue/Ue 240V 3A	AC-15, Ue/Ue 240V 3A
Rate Insulation Voltage	400VAC	400VAC	400VAC	400VAC

Approvals * Depending on switching system - see technical information for details



Special features/variants (on request)

- Different spring lengths
- Different spring versions or spring rod

Special features/variants (on request)

- Available with various actuator lengths and actuator directions

Drawing dimensions in mm