

Double Pedal with Cover

STANDARD



Standard OFF-ON Operation-
Push pedal to change contact state. Release pedal to return to original state.



TWO STAGE OPERATION



Two Stage Operation-
Press Pedal to change the state of the first set of contacts. Continue to press further to change the second set of contacts.



Two pedal foot switch F2

Article number	Designation	Switching contacts	Special feature
Snap-action contact:			
		Pedal 1 (left)	Pedal 2 (right)
606.2830.022	F2-SU1Z/SU1Z UN	1NC / 1NO	1NC / 1NO Prot. shroud UN
606.2940.066	F2-SU2Z/SU2Z UN	2NC / 2NO	2NC / 2NO Prot. shroud UN
Slow-action contact:			
		Pedal 1 (left)	Pedal 2 (right)
606.2610.014	F2-U1Z/U1Z UN	1NC / 1NO	1NC / 1NO Prot. shroud UN
606.2720.016	F2-U2Z/U2Z UN	2NC / 2NO	2NC / 2NO Prot. shroud UN

Two pedal foot switch F2

Article number	Designation	Switching contacts	Two Stage Operation
Snap-action contact:			
		Pedal 1 (left)	Pedal 2 (right)
616.2000.418	F2-SU1Z/SU2ZD UN	1NC / 1NO	2NC / 2NO (Pedal 2)
606.2830.417	F2-SU1ZD/SU1ZD UN	1NC / 1NO	1NC / 1NO (Pedal1+Pedal 2)
616.2000.503	F2-SU4ZD/SU4ZD UN	4NC / 4NO	4NC / 4NO (Pedal 1+Pedal 2)
Slow-action contact:			
616.2610.253	F2-U1ZD/U1Z UN	1NC / 1NO	1NC / 1NO (Pedal 1)
606.2620.086	F2-U1Z/U2ZD UN	1NC / 1NO	2NC / 2NO (Pedal 2)
606.2720.020	F2-U2ZD/U2ZD UN	2NC / 2NO	2NC / 2NO (Pedal 1+Pedal 2)
606.2710.376	F2-U2ZD/U1Z UN	2NC / 2NO	1NC / 1NO (Pedal 1)

Drawing dimensions in mm

LATCHING

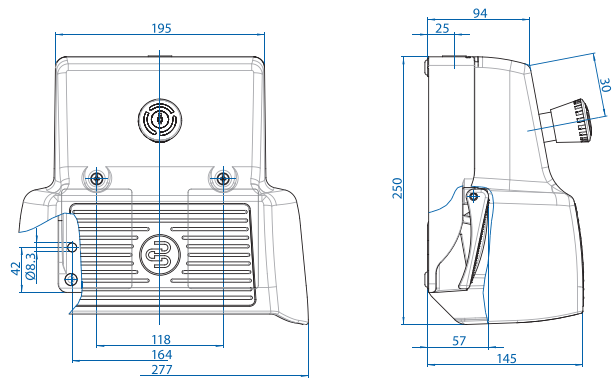
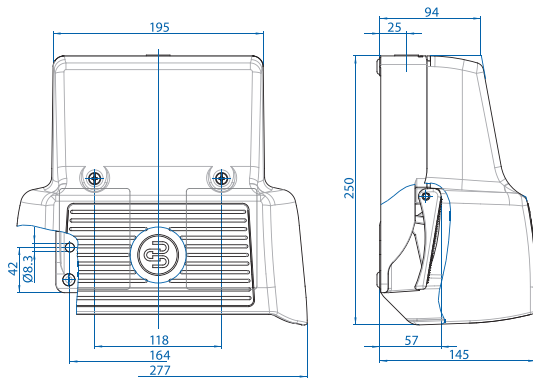


Latching Operation - Push pedal to change contact state. When you release the pedal, the contacts remain in that state. Push again to return to original state.

WITH E-STOP BUTTON



Standard OFF-ON Operation - Push pedal to change contact state. Release pedal to return to original state. With 2NC contact Emergency Stop



Two pedal foot switch F2

Article number	Designation	Switching contacts		Latching
		Pedal 1 (left)	Pedal 2 (right)	
616.2840.655	F2-SU1Y/SU2Z UN	1NC / 1NO	2NC / 2NO	(Pedal 1)
606.2610.018	F2-U1Y/U1Y UN	1NC / 1NO	1NC / 1NO	(Pedal 1+Pedal 2)
606.2610.047	F2-U1Y/U1Z UN	1NC / 1NO	1NC / 1NO	(Pedal 1)

Two pedal foot switch F2

Article number	Designation	Switching contacts	
		Pedal 1 (left)	Pedal 2 (right)
616.2720.700	F2-U2Z/U2Z NA2 UN	2NC / 2NO	2NC / 2NO

Technical data

Electrical data		
Rated insulation voltage	U_i	400 V AC
		250 V AC (in type designation "ZS", "EX")
Rated impulse strength	U_{imp}	4 kV *
		2,5 kV (in type designation "C", "ZS", "EX") *
Conventional thermal current	I_{the}	10 A
		5 A (in type designation "ZS", "EX")
Utilization category		AC-15, U_e / I_e 240 V / 3 A
		AC-15, U_e / I_e 240 V / 1,5 A (in type designation "ZS")
Positive opening		according to IEC/EN 60947-5-1, Addendum K (when reaching the pedal stop)
Over-voltage category (switch-in contact with enabling function)		III (according to IEC 60664-1)
Protection class		I

* does not apply to "MI" and "MI RG" in article designation

Mechanical data	
Enclosure	Cast aluminum (powder-coated)
Cover, Protective shroud UN	Cast aluminum (powder-coated)
Foot pedal	Thermoplastic
Ambient temperature (with no icing / no condensation)	-30°C to +80°C (-20°C to +65°C in type designation "EX")
Storage temperature	-30°C bis +80°C (-20°C to +65°C in type designation "EX")
Mechanical service life	> 1×10^6 switching cycles when using switches with potentiometer 5×10^4
Switching frequency	50 min^{-1} when using switches with potentiometer 20 min^{-1}
Type of connection	Screw connections (M3,5)
Conductor cross sections	Single-wire 0,5 – 1,5 mm ² or stranded wire with ferrule 0,5 – 1,5 mm ²
Cable entry	M20 x 1,5
Weight with cover	F1 ≈ 0,6 kg, F2 ≈ 1,7 kg, F3 ≈ 3,0 kg
Weight with protective shroud UN	F1 ≈ 1,5 kg, F2 ≈ 2,6 kg, F3 ≈ 5,4 kg
Protection class	Protection class depends on type. Standard is IP 65.

Standard values for safety technology

B10d	20×10^6
	6×10^6 Restrictions in article designation "C" *
	2×10^6 Restrictions in article designation "D" *
	4×10^6 Restrictions in article designation "EX" *
	1×10^5 Restrictions in article designation "ZS" *

* Once a restriction exists, the lowest value needs to be applied.

This technical data is generic to our standard foot switch range, please refer to individual technical data sheets for exact product information as the technical data above may vary.

Standards

VDE 0660 T100, DIN EN 60947-1, IEC 60947-1
VDE 0660 T200, DIN EN 60947-5-1, IEC 60947-5-1

Approvals*

CCSAUS A300, Q300 (same polarity)
cULus B300 (in type designation "ZS")
DGUV (Only switches that have an appropriate label.)

* Approvals depend on type.
More information can be found in the data sheet.