

## Single Pedal With Cover

### STANDARD



Standard OFF-ON Operation - Push pedal to change contact state. Release pedal to return to original state.

### TWO STAGE OPERATION

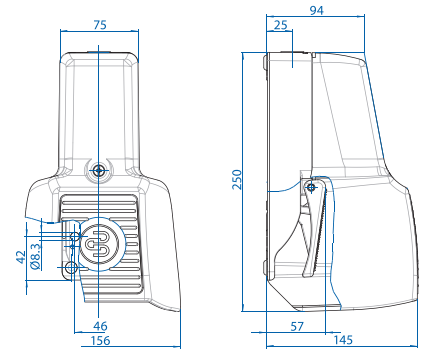
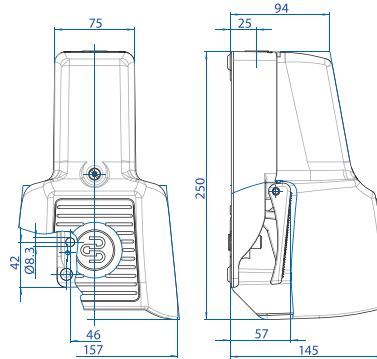
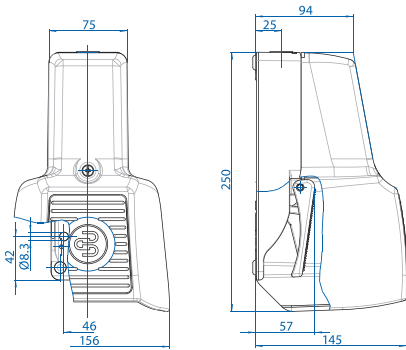


Two Stage Operation- Press Pedal to change the state of the first set of contacts. Continue to press further to change the second set of contacts.

### LATCHING



Latching Operation - Push pedal to change contact state. When you release the pedal, the contacts remain in that state. Push again to return to original state.



#### Single pedal foot switch F1

Article number	Cable entry	Designation	Switching contacts
----------------	-------------	-------------	--------------------

##### Snap-action contact:

			Pedal 1
606.1800.012	1 x M20	F1-SU1Z UN	1NC / 1NO
606.1900.062	1 x M20	F1-SU2Z UN	2NC / 2NO

##### Slow-action contact (IP65 Protection Rating):

			Pedal 1
606.1600.006	1 x M20	F1-U1Z UN	1NC / 1NO
606.1700.004	1 x M20	F1-U2Z UN	2NC / 2NO

##### Slow-action contact (IP67 Protection Rating):

			Pedal 1
606.1600.538	1 x M20	F1-U1Z UN	1NC / 1NO
606.1600.345	3 x M20	F1-U1Z UN	1NC / 1NO

#### Single pedal foot switch F1

Article number	Designation	Switching contacts	Pressure point
----------------	-------------	--------------------	----------------

##### Snap-action contact:

		Pedal 1	Pedal 1
616.1800.073	F1-SU1ZD UN	1NC / 1NO	200 N
606.1900.433	F1-SU2ZD UN	2NC / 2NO	200 N

##### Slow-action contact:

		Pedal 1	
606.1600.010	F1-U1ZD UN	1NC / 1NO	200 N
606.1700.008	F1-U2ZD UN	2NC / 2NO	200 N

#### Single pedal foot switch F1

Article number	Designation	Switching contacts
----------------	-------------	--------------------

**Snap-action contact:** Pedal 1  
616.1800.247 F1-SU1Y UN 1NC / 1NO

**Slow-action contact:**  
616.1600.295 F1-U1Y UN 1NC / 1NO

## Single Pedal With Cover

### WITH E-STOP BUTTON



Standard OFF-ON Operation - Push pedal to change contact state. Release pedal to return to original state. With 2NC contact Emergency Stop

### INTERNAL CONTACTOR

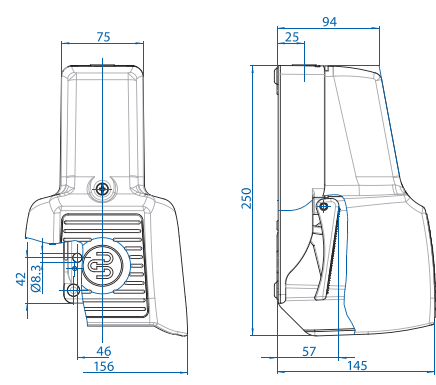
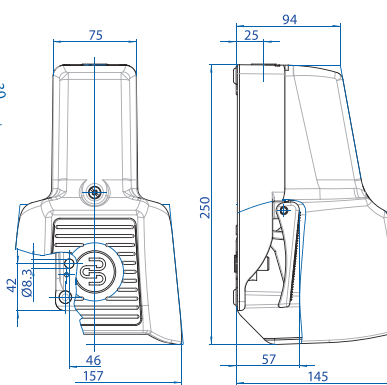
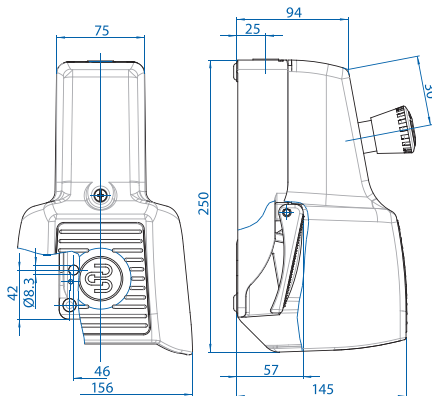


Standard and Latching style with built in contactor can switch up to 16AMPS@400VAC for AC1 applications, with additional 3NO/1NC Contacts

### ANALOG OUTPUT



Analog Output Operation - As the pedal is depress, voltage or amperage (depending on model) is increase. Features an additional programmable PNP NO signaling contact that activates at a preset level.



#### Single pedal foot switch F1

Article number	Designation	Switching contacts
606.1600.435	F1-U1Z NA2 UN	1NC / 1NO

#### Single pedal foot switch F1

Article number	Designation	Switching contacts
<b>Standard</b>		
606.1800.436	F1-SU1Z LS22 UN	1NC / 1NO
<b>Latching</b>		
606.1800.439	F1-SU1Y LS22 UN	1NC / 1NO

#### Single pedal foot switch F1

Article number	Designation	Output Range
616.1000.727	F1-AU0-5	0 - 5 V
616.1000.728	F1-AU0-10	0 - 5 V
616.1000.729	F1-AI0-20	0 - 20 mA
616.1000.730	F1-AI4-20	4 - 20 mA

## Single Pedal With Cover

**STANDARD with Anti Trip**



Standard OFF-ON Operation - Push forward in the Anti Trip Pedal Lock to release. Push down pedal to change contact state. Release pedal to return to original state.

**STANDARD with FST Footrest**

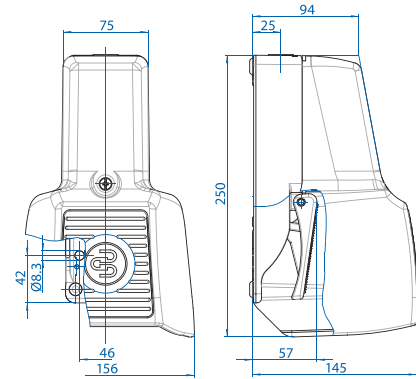
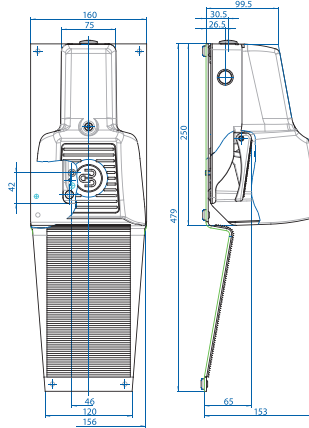
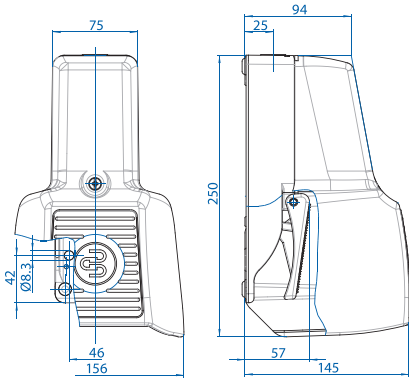


Standard OFF-ON Operation - Push pedal to change contact state. Release pedal to return to original state. With anti-fatigue footrest.

**ASI Interface**



Foot Switches with built in ASI Bus System interface via an M12 plug connection. Available in Standard or Enabling Switch versions



Single pedal foot switch F1		
Article number	Designation	Switching contacts
616.1800.482	F1-SU1Z AT UN	1NC / 1NO
616.1600.400	F1-U1Z AT UN	1NC / 1NO
616.1700.483	F1-U2Z AT UN	2NC / 2NO
616.1700.660	F1-U2ZD AT UN	2NC / 2NO

Single pedal foot switch F1		
Article number	Designation	Switching contacts
616.1700.091	F1-U2Z UN FST	2NC / 2NO

Standard with ASI Interface	
Article number	Designation
607.3700.076	ASI F1 UN

Enabling Switch with ASI Interface	
Article number	Designation
607.3700.085	F1-ASI-ZSD UN
607.3700.086	F1-ASI-ZSDR UN (Latching)

## Technical data

Electrical data		
Rated insulation voltage	$U_i$	400 V AC
		250 V AC (in type designation "ZS", "EX")
Rated impulse strength	$U_{imp}$	4 kV *
		2,5 kV (in type designation "C", "ZS", "EX") *
Conventional thermal current	$I_{the}$	10 A
		5 A (in type designation "ZS", "EX")
Utilization category		AC-15, $U_e / I_e$ 240 V / 3 A
		AC-15, $U_e / I_e$ 240 V / 1,5 A (in type designation "ZS")
Positive opening		according to IEC/EN 60947-5-1, Addendum K (when reaching the pedal stop)
Over-voltage category (switch-in contact with enabling function)		III (according to IEC 60664-1)
Protection class		I

\* does not apply to "MI" and "MI RG" in article designation

Mechanical data	
Enclosure	Cast aluminum (powder-coated)
Cover, Protective shroud UN	Cast aluminum (powder-coated)
Foot pedal	Thermoplastic
Ambient temperature (with no icing / no condensation)	-30°C to +80°C (-20°C to +65°C in type designation "EX")
Storage temperature	-30°C bis +80°C (-20°C to +65°C in type designation "EX")
Mechanical service life	> 1 x 10 <sup>6</sup> switching cycles when using switches with potentiometer 5 x 10 <sup>4</sup>
Switching frequency	50 min <sup>-1</sup> when using switches with potentiometer 20 min <sup>-1</sup>
Type of connection	Screw connections (M3,5)
Conductor cross sections	Single-wire 0,5 – 1,5 mm <sup>2</sup> or stranded wire with ferrule 0,5 – 1,5 mm <sup>2</sup>
Cable entry	M20 x 1,5
Weight with cover	F1 ≈ 0,6 kg, F2 ≈ 1,7 kg, F3 ≈ 3,0 kg
Weight with protective shroud UN	F1 ≈ 1,5 kg, F2 ≈ 2,6 kg, F3 ≈ 5,4 kg
Protection class	Protection class depends on type. Standard is IP 65.

### Standard values for safety technology

<b>B10d</b>	20 x 10 <sup>6</sup>
	6 x 10 <sup>6</sup> Restrictions in article designation "C" *
	2 x 10 <sup>6</sup> Restrictions in article designation "D" *
	4 x 10 <sup>6</sup> Restrictions in article designation "EX" *
	1 x 10 <sup>5</sup> Restrictions in article designation "ZS" *

\* Once a restriction exists, the lowest value needs to be applied.

This technical data is generic to our standard foot switch range, please refer to individual technical data sheets for exact product information as the technical data above may vary.

### Standards

VDE 0660 T100, DIN EN 60947-1, IEC 60947-1  
 VDE 0660 T200, DIN EN 60947-5-1, IEC 60947-5-1

### Approvals\*

CCSAUS A300, Q300 (same polarity)  
 cUL<sub>US</sub> B300 (in type designation "ZS")  
 DGUV (Only switches that have an appropriate label.)

\* Approvals depend on type.  
 More information can be found in the data sheet.